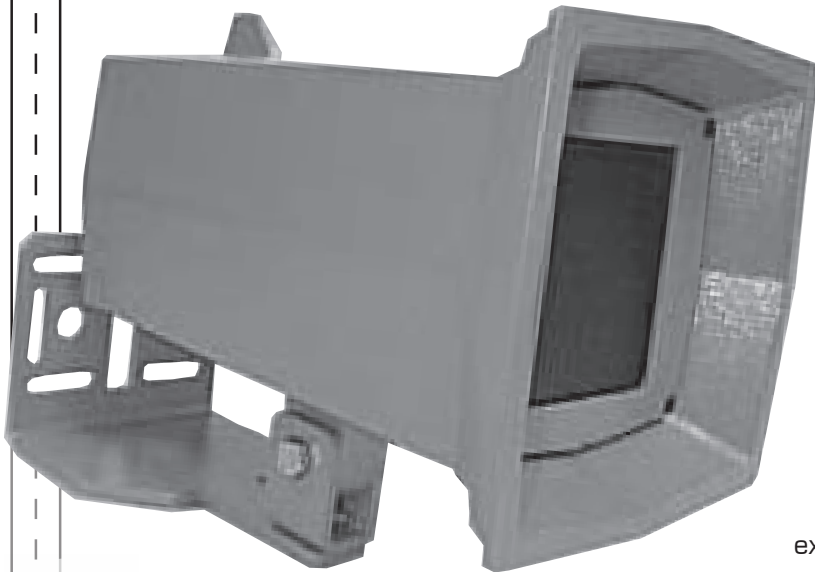


TC26-B

Motion and Presence Sensor



ENGINEERED FOR MOTION



DESCRIPTION

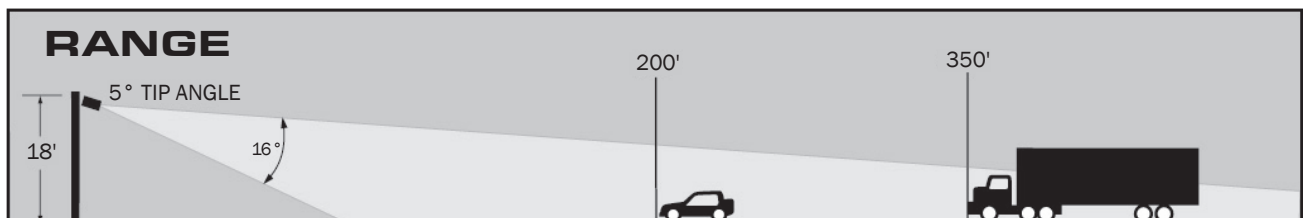
The **TC26-B** is a microwave motion sensor that will identify a vehicle moving in its detection pattern and then trigger the operation of a traffic controller. By utilizing microwave technology, this device provides accurate and consistent vehicle detection that is not affected by temperature, humidity, color or background variations.

The **TC26-B** easily mounts above ground, requires no pavement cuts and can be installed with minimal traffic disruption. All parameters are adjusted via external controls located on the back panel. The housing is factory sealed with an external wiring harness or an optional quick-connect cable eliminating the need to open the sensor during installation.

Once mounted, the installer simply connects the cable, makes the necessary adjustments, aims the sensor at the desired detection area and applies power. It's that simple!

BENEFITS

- ☑ Adjustable Range: up to 200' for cars, 350' for trucks
- ☑ Directional Scanning: select approach-only or depart-only motion
- ☑ Sealed Housing
- ☑ External Adjustment Panel & Connector: no need to open the housing during installation
- ☑ External Indicator LEDs: eases drive test confirmation
- ☑ Low Power—Ideal for Solar Applications: uses 1/5 the power of inductive loops
- ☑ Covers Single or Multiple Lanes
- ☑ Installs Easily Above Ground



Range shown at maximum - not drawn to scale

TC26-Bv092017

SENSOR SPECIFICATIONS

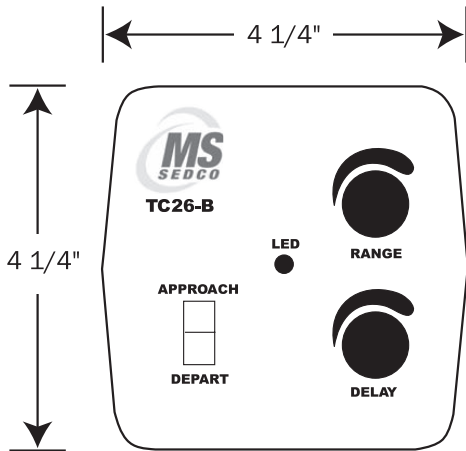
PHYSICAL:

- Physical Dimensions: 9.25L x 5.5"W x 5.5"H
(23.5cm L x 14.0cm W x 14.0cm H)
- Enclosure: Gray Powder Coated Aluminum
- Weight: 5 lbs.
- Wiring Harness: 18 GA-5 cond. cable (Std.)
18 GA-5 cond. quick-release (optional)
- Mounting Bracket: Predrilled & slotted (band or lag-bolt mount)

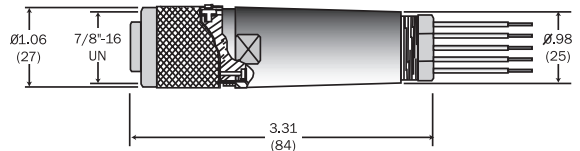
OPERATING:

- Operating Frequency: 10.525 GHz (X-band)
- Detection Method: Microprocessor Analyzed Doppler Microwave
- Detection Pattern: 200' long x 50' wide (cars) (max)
350' long x 75' wide (trucks)
- Detection Mode: Directional Motion
- Detection Hold Time: Continuous with motion
- Response Time: 0.25 seconds
- Time Delay: Adjustable 0.25 to 5.0 seconds
- Power Requirements: 12-24V AC or DC
- Current Draw: 75mA max. @ 24V DC
24V DC (N.O. and N.C.)
- Power Consumption: 1.8 Watts max. @ 24V DC
- Relay Output: Form C, rated at 1 Amp @
- Output Power: 5mW typical, 2mW minimum
- Relay Contact Ratings: 0.5A:50V AC
1A:24V DC
- Temperature range: -35°F to 165°F
(-37°C to 75°C)

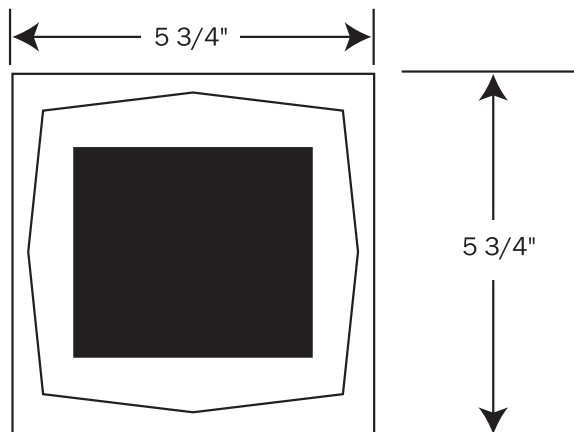
REAR VIEW (External Adjustment Panel)



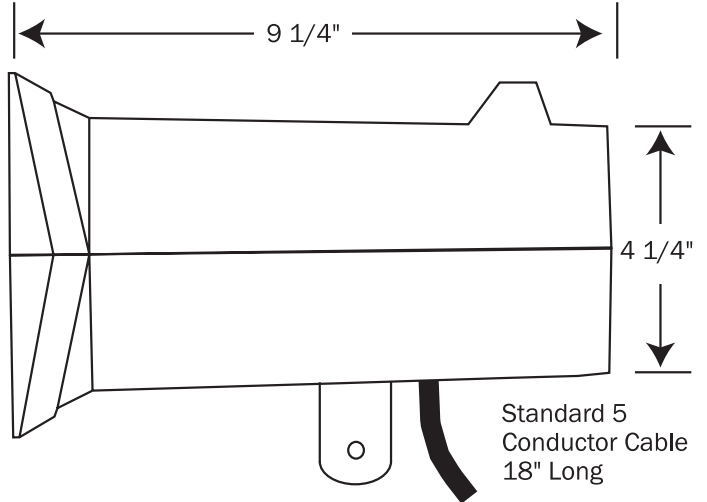
OPTIONAL QUICK RELEASE



FRONT VIEW



SIDE VIEW



TC26-Bv092017