



ENGINEERED FOR MOTION

## NexGen CapTouch Series Capacitive Touch Door Activator Switches



#NG-CT-HSS



#NG-CT-P

actuator that is both stylish and tough. NexGen switches are extremely thin and utilize no moving parts. The 4" faceplate is bordered by a clear bezel edge that illuminates upon activation.

Their hands free operation makes them ideal for ADA applications. Other applications include clean-room access points, request-to-exit devices (1 amp contact), and point-of-purchase displays. The NexGen Capacitive Touch switch is microprocessor controlled, allowing for superior operation in a smaller unit.

### Technical Data

- ADA Compliant Operation
- Faceplates Available in Various Finishes
- Microprocessor-Controlled Capacitive Touch
- 12 to 24V AC or DC Operation
- Form C Relay Output
- Heavy Duty 1 Amp Contact

### Operating Distance

Adjustable from touch (0") to 1"

### Unit Size

4.5"W x 4.5"H x 0.75"D

### Face Plate Sizes

Fits Single-gang or 2-gang Box

4 1/2"W x 4 1/2"H

Fits Single-Gang Box

2 3/4"W x 4 1/2"H

### Face Plate Finish

Standard: Brushed Stainless Steel  
For Special Finishes Contact Factory

### Temperature

-13°F to 140°F (-25°C to 60°C)

Recommended For Interior Use

### Product Name

#### NexGen CapTouch Series

Capacitive Touch Door Activator Switches

### Contact Information

MS SEDCO  
8701 Castle Park Drive  
Indianapolis, IN 46256  
Phone: (317) 842-2545  
www.mssedco.com

### Product Description

#### BASIC USE

The NexGen CapTouch Series actuator is the next generation of automatic door activation switch. The NexGen CT combines the latest advances in capacitive sensing technology with durable composite plastics, to create an

### SPECIFICATIONS

#### Activation Method

NexGen technology using digital burst mode charge transfer sensor for detecting near proximity or touch.

#### Input Voltage

12V to 24V AC or DC, not polarity sensitive

#### Input Current

Nominal ± 15mA @24V AC  
Activated ± 40mA @ 24V AC

#### Relay Contacts

Form C rated at 1 amp @ 24V DC (resistive)

032017

# NexGen CapTouch Series Capacitive Touch Door Activator Switches



ENGINEERED FOR MOTION

## APPLICABLE STANDARDS

American National Standards Institute (ANSI) - Building Hardware Manufacturers Association (BHMA) - ANSI/BHMA A156.10 & A156.19.

devices for specific uses and to provide onsite installation.

## DIMENSIONS

### Installation

Refer to MS SEDCO Installation Instructions.

### Availability & Cost

#### AVAILABILITY

Available internationally from manufacturer's authorized distributors; contact MS SEDCO for the location of the nearest distributor.

#### COST

Cost information on MS SEDCO products is available from the manufacturer's authorized distributors.

### Warranty

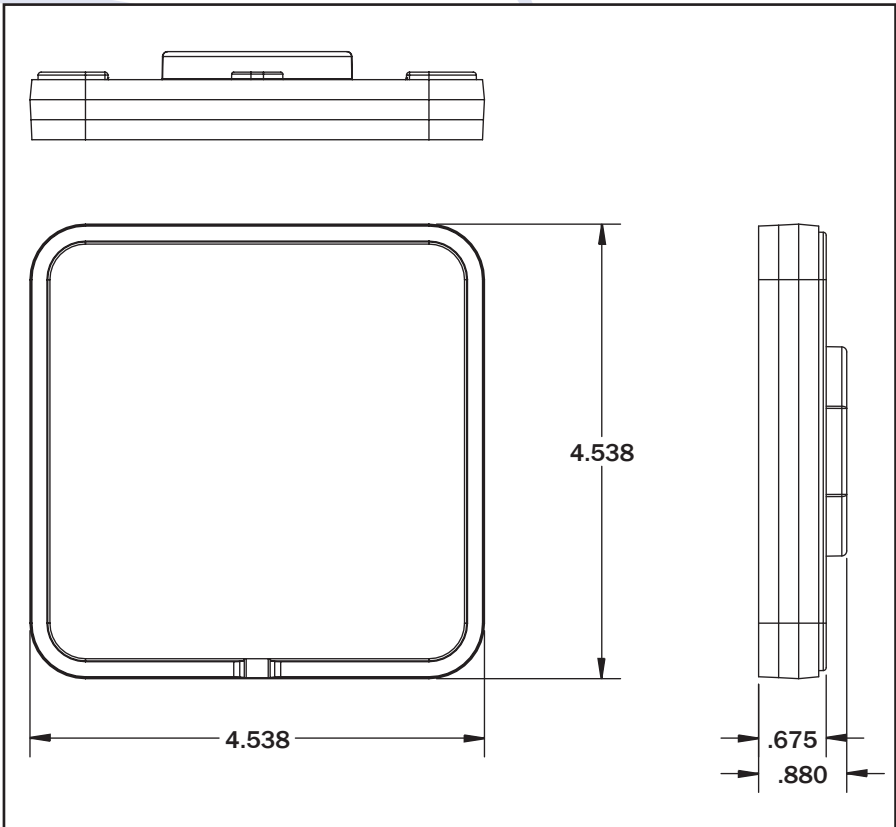
A one year warranty is available from the manufacturer covering defects in materials and workmanship. Contact MS SEDCO for details.

### Maintenance

MS SEDCO recommends that all maintenance and adjustments be performed by an AAADM Certified Technician.

### Technical Services

MS SEDCO's staff of factory trained sales and service personnel offer design assistance and technical support. Local distributors are also available to assist in selecting appropriate



032017