

Section 1

General Description

The ClearPath™ sequencing radio control transmitters provide reliable activation of two automatic doors. They share the same PCB as the standard transmitter, however each sequencing version has a software upgrade that enables them to transmit two separate signals with an adjustable delay between them in order to sequence vestibule doors one after the other from either direction. Several styles are available - each comes with a sequencing transmitter PCB, antennas and battery completely assembled in a surface mounting box.

- CP/STX** = Sequencing version of the CP/TX (Use with 59 Series Switches)
- CP/STX-R4** = Sequencing version of the CP/TX-R4 (Use with 59R4 Series Switches)
- CP/STX-R6** = Sequencing version of the CP/TX-R6 (Use with 59R6 Series Switches)
- CP/STX-J** = Sequencing version of the CP/TX-J (Use with 59J Series Switches)
- CP/STX-P** = Sequencing version of the CP/TX-P (Use with 608 Series Bollards)

All ClearPath sequencing transmitters have 3 selectable frequencies - High Definition Radio Control™ (HDCR™), 300 MHz and 390 MHz. A simple slide switch allows them to be used interchangeably with past MS SEDCO and other competitor's products utilizing these frequencies.

Section 2

Basic Installation

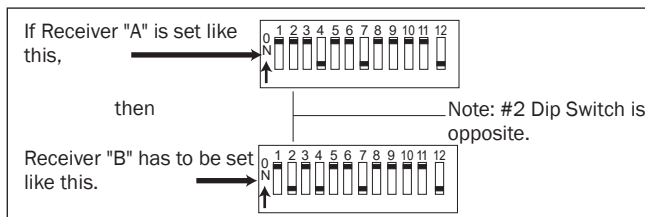
Receivers: 2 CP/RX's required

- 1) **SELECT FREQUENCY:** Select the desired frequency, via the 3-position slide switch on the circuit board, for 2 different receivers (see diagram on inside of CP/RX cover). HDCR™ is factory setting.
- 2) **SELECT SECURITY CODE:** Set the security code on each CP/RX receiver as follows:
Receiver "A" — set any code desired
Receiver "B" — set the same code as Receiver "A" EXCEPT the #2 dip switch should be in the opposite position (Fig. 1).
- 3) Install Receiver "A" in its intended location at the **exterior door** and Receiver "B" in its intended location at the **interior door** using instructions provided with the receivers.

Sequencing Transmitters:

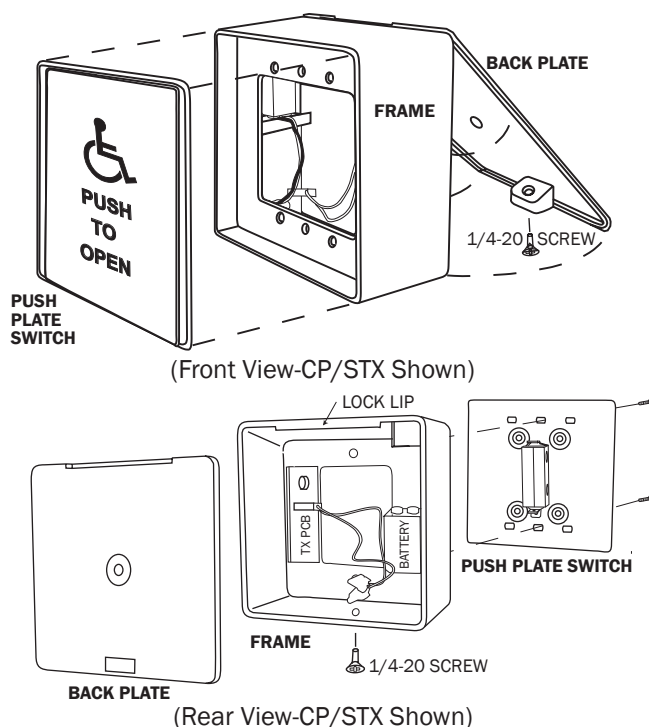
- 1) Remove the 1/4-20 screw located in the bottom of the frame and separate the back plate from the frame (Fig.2).
- 2) **SELECT FREQUENCY:** Select the desired frequency, via the 3-position slide switch on the circuit board, for each sequencing transmitter (Fig. 3) to **match** the receivers. HDCR™ is factory setting.

FIGURE 1

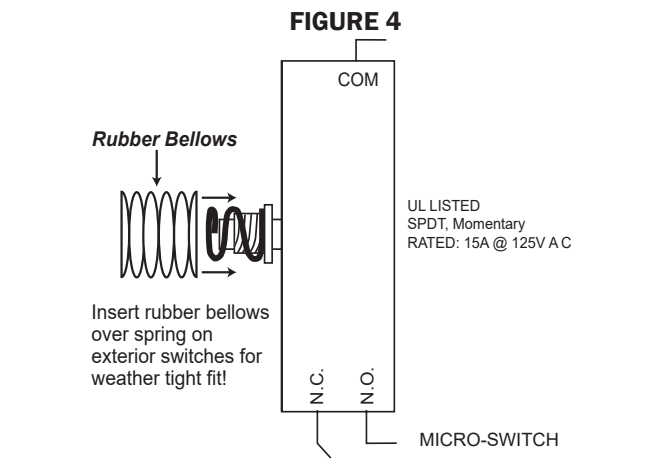
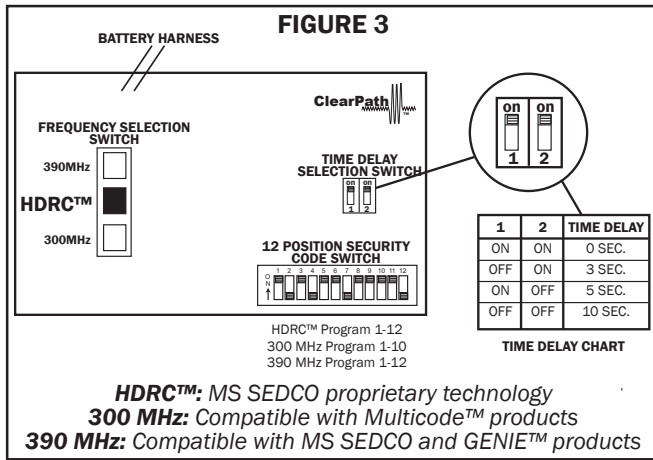


HDCR Program 1-12
300 MHz Program 1-10
390 MHz Program 1-12

FIGURE 2



- 3) **SELECT SECURITY CODE:** Program the desired security code, via the 12 dip switches on the circuit board, for each sequencing transmitter (Fig. 3) to **match** the code of the receiver that it should activate as follows:
Exterior Sequencing Transmitter=Exterior Receiver "A" Code
Interior Sequencing Transmitter=Interior Receiver "B" Code
Optional Vestibule Sequencing Transmitter (between doors) = Either Receiver Code.
- 4) **SELECT TIME DELAY:** Program each sequencing transmitter for the desired time delay between activation of the two doors via the dip switches marked 1 & 2 on the circuit board (Fig. 3). If a sequencing transmitter is used between the doors set the delay to zero.



The sequencing transmitter will always send the programmed ID code (as set by the 12 dip switches) first, wait the desired delay time then send the second ID code (which is the same as the first except #2 dip switch is opposite).

- Plug the 2-lead transmitter wiring harness onto the "COM" (Common) and "N.O." (Normally Open) contacts located on the door activator's microswitch (Fig.4).
- Activate the push plate switch to ensure the system is working properly. Refer back to Fig. 3 if the time delay between doors needs adjusting.

- For switch bollard mounted applications (CP/STX-P), refer to the provided instructions for proper mounting.

NOTICE: This device complies with Part 15 of the FCC rules. Operation of this device is subject to the following two conditions: 1) This device may not cause harmful interference and 2) This device must accept any interference received, including interference that may cause undesired operation. Any changes or modifications not expressly approved by MS SEDCO could void the user's authority to operate this equipment.

Product protected by US patent 7,545,833

FIGURE 5
Vestibule Sequencing Diagram

