

830-59J Series

Combination Keyswitches and Push Plate Switches

INSTALLATION INSTRUCTIONS

Section 1

General Description

The 830-59J series are two switches in one. The keyswitch and push plate switch can be set up to work independently of each other or the keyswitch can turn off/on the push plate switch, thus, providing an economical way to secure the activation of an automatic door after hours.

Both the keyswitch and push plate switch share a 4 1/2" square back plate, making it easy to install to any 2-gang electrical box or MS Sedco #1015 surface mounting box.

The keyswitch is SPST and comes in several operating functions:

830A-59J-H: Single Maintained Contact Switch with 59J-H Actuator Switch

830B-59J-H: Single Momentary Contact Switch with 59J-H Actuator Switch

830A-59J-HSS: Single Maintained Contact Switch with 59J-HSS Actuator Switch

830B-59J-HSS: Single Momentary Contact Switch with 59J-HSS Actuator Switch

830A-59J-P: Single Maintained Contact Switch with 59J-P Actuator Switch

830B-59J-P: Single Momentary Contact Switch with 59J-P Actuator Switch

Also available with the RG option. This option includes Red and Green LED indicators. When using the RG option, please purchase RCM Relay Control Module and refer to Figure 4 of this manual on page 4.

The push plate switch is available with any of the 59J series narrow style switch face plates.

Section 2

Basic Installation

2-GANG ELECTRICAL BOX OR JUNCTION BOX: 830-A or B

- 1) Install the electrical box (purchased separately) in its intended location.
- 2) Attach the adaptor ring provided (see below) to the electrical box.
- 3) Insert the mortise cylinder through the casting and attach it with the cylinder ring nut.



NOTICE: The keyswitch casting will accommodate mortised cylinder depths of 1 1/8" to 1 1/4" with standard cams. If using a different depth of cylinder, please ensure that it aligns properly with the push button switch(es).

- 4) Adjust the push button switch(es) so that it aligns directly beneath the cam of the key cylinder. Using a 1/2" wrench, loosen and tighten the panel nut that

holds the switch(es) in place within the casting to allow movement forward or back.

- 5) Make the appropriate electrical connections to the wires connected to the switch(es) or LED indicators.



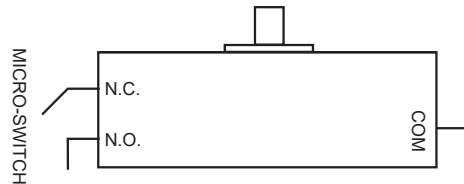
NOTICE: The keyswitch and push plate switch can be wired independent of each other or a maintained keyswitch can be wired to turn the push plate switch off/on.

- 6) Secure the keyswitch assembly to the electrical box with the two 6-32 x 1" screws provided and adjust assembly for squareness. Attach the face plate with the two tamper proof 6-32 screws provided.



NOTICE: If the electrical box is mounted too deep in the wall, it may be necessary to shim out the keyswitch assembly in order to attach the face plate.

- 7) Remove the face plate from the push plate switch assembly.
- 8) Make the appropriate electrical connections to the switch contacts located on the micro-switch.



- 9) Attach the 4 1/2" back plate into the 2-gang electrical box with the push plate switch beside the previously installed keyswitch assembly using two 6-32 x 1" screws provided. Next, attach the 4 1/2" back plate to the keyswitch assembly with two spanner head 6-32 x 1/4" screws provided (Fig. 3).
- 10) Reattach the face plate to the push plate switch assembly using two 6-32 x 1/4" screws provided (Fig. 3).

Section 3

Technical Data

830 KEYSWITCH

Momentary Push Button.....	UL Listed
Single Pull Single Throw (SPST)	
Rating.....	125V AC, 3A
Maintained Push Button.....	UL Listed
Single Pull Single Throw (SPST)	
Rating.....	125V AC, 6A
LED Indicator Rating.....	12-24V AC or DC

59J PUSH PLATE SWITCH

Push Plate Switch.....	UL Listed "Cherry Switch", SPST, Mom., 15 Amp @ 125V AC
------------------------	--

830-59J Series

Combination Keyswitches and Door Activator Switches

INSTALLATION INSTRUCTIONS

FIGURE 1

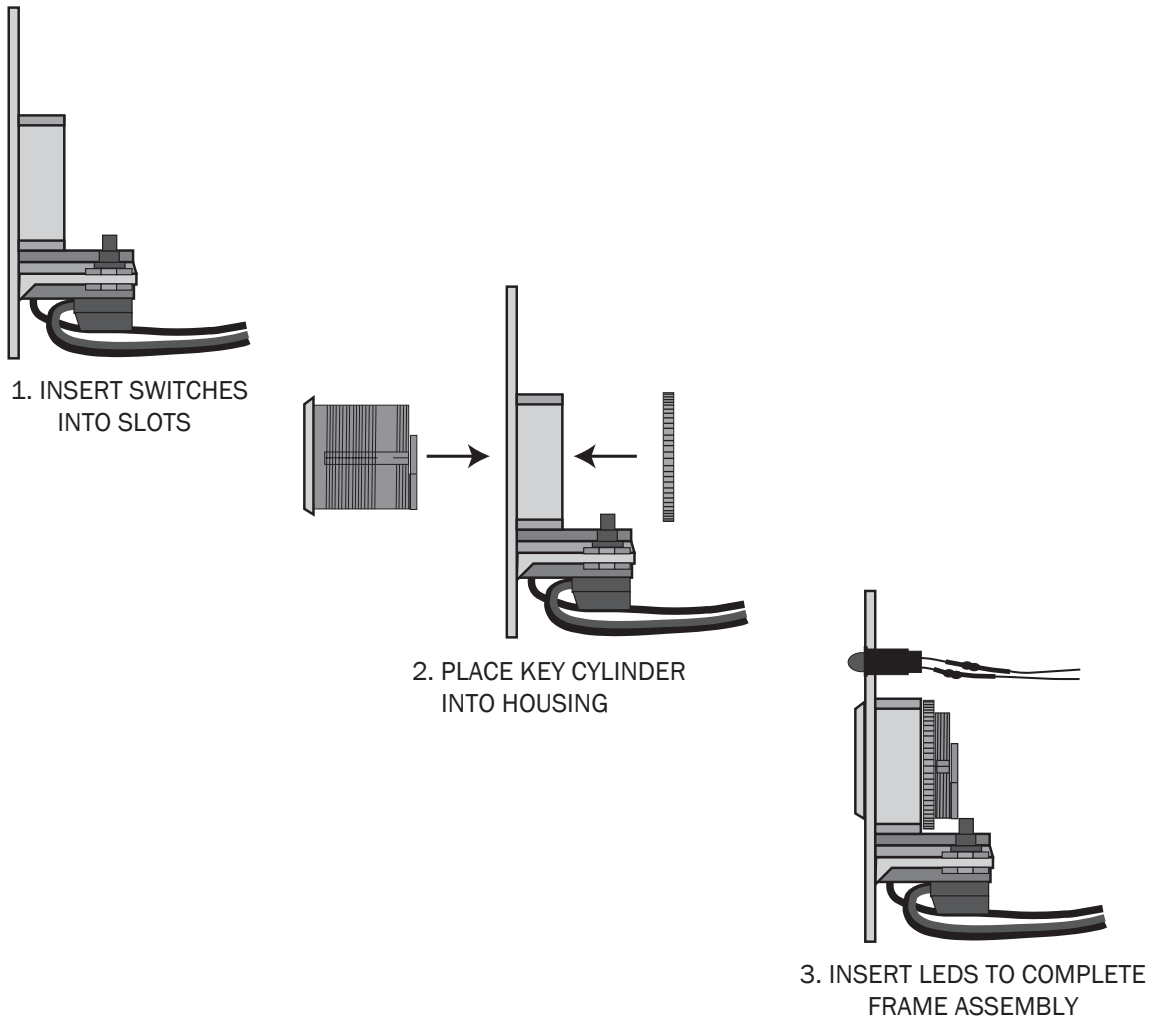
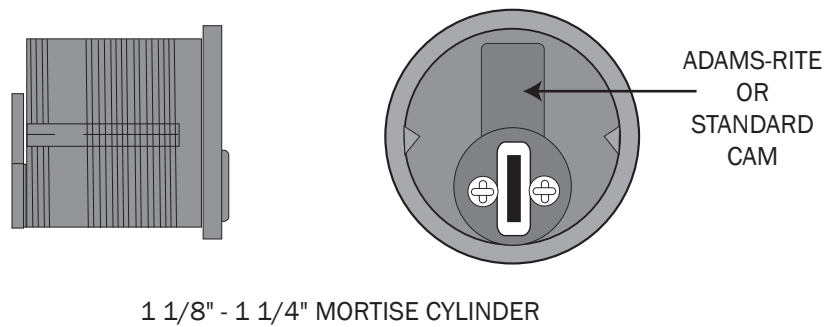


FIGURE 2



830-59J Series

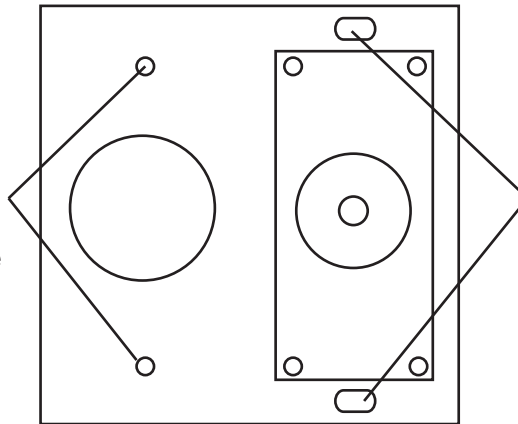
Combination Keyswitches and Door Activator Switches

INSTALLATION INSTRUCTIONS

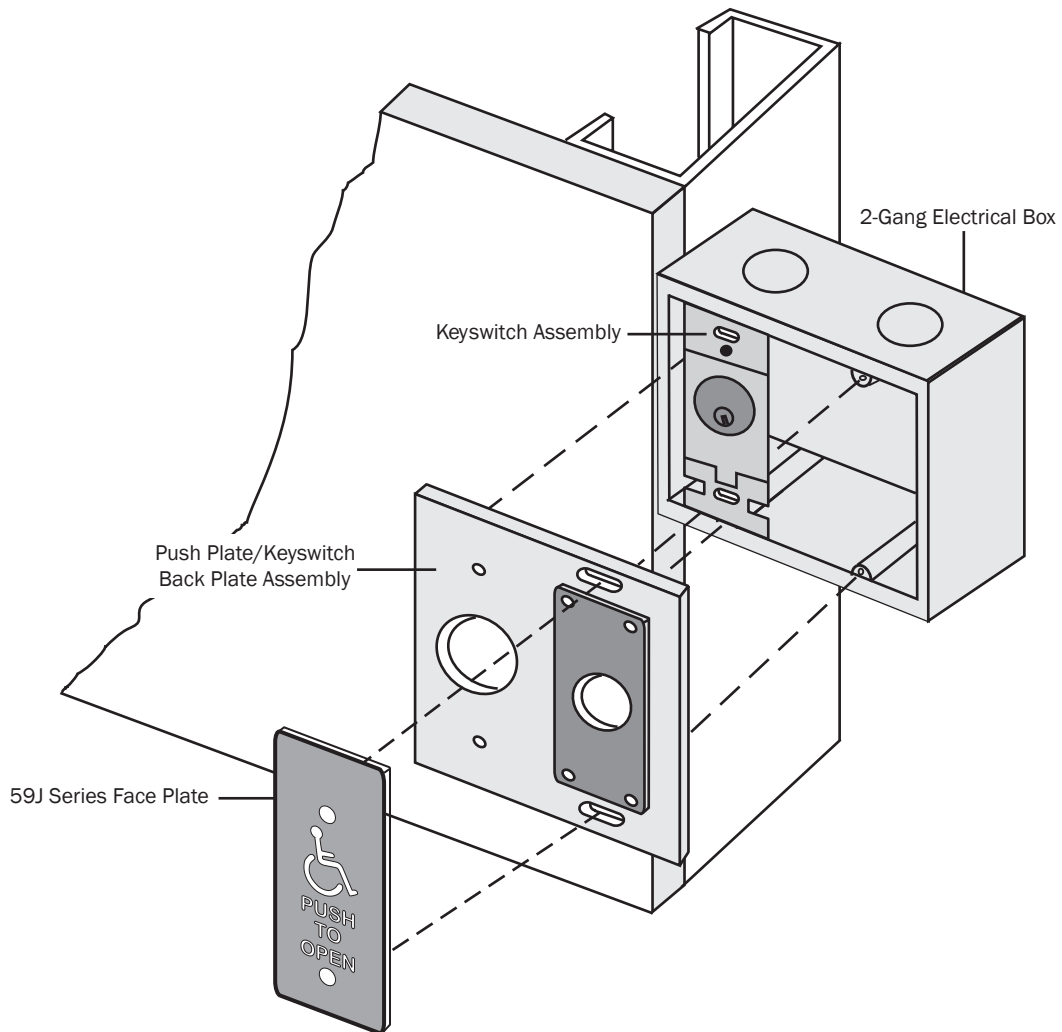
FIGURE 3



WARNING: Attach to the KEYSWITCH ASSEMBLY with 2: 6-32 x 1/4" spanner screws ONLY. Longer screws will damage the printed circuit board.



Attach to 2-gang electrical box with 2: 6-32 x 1" screws.

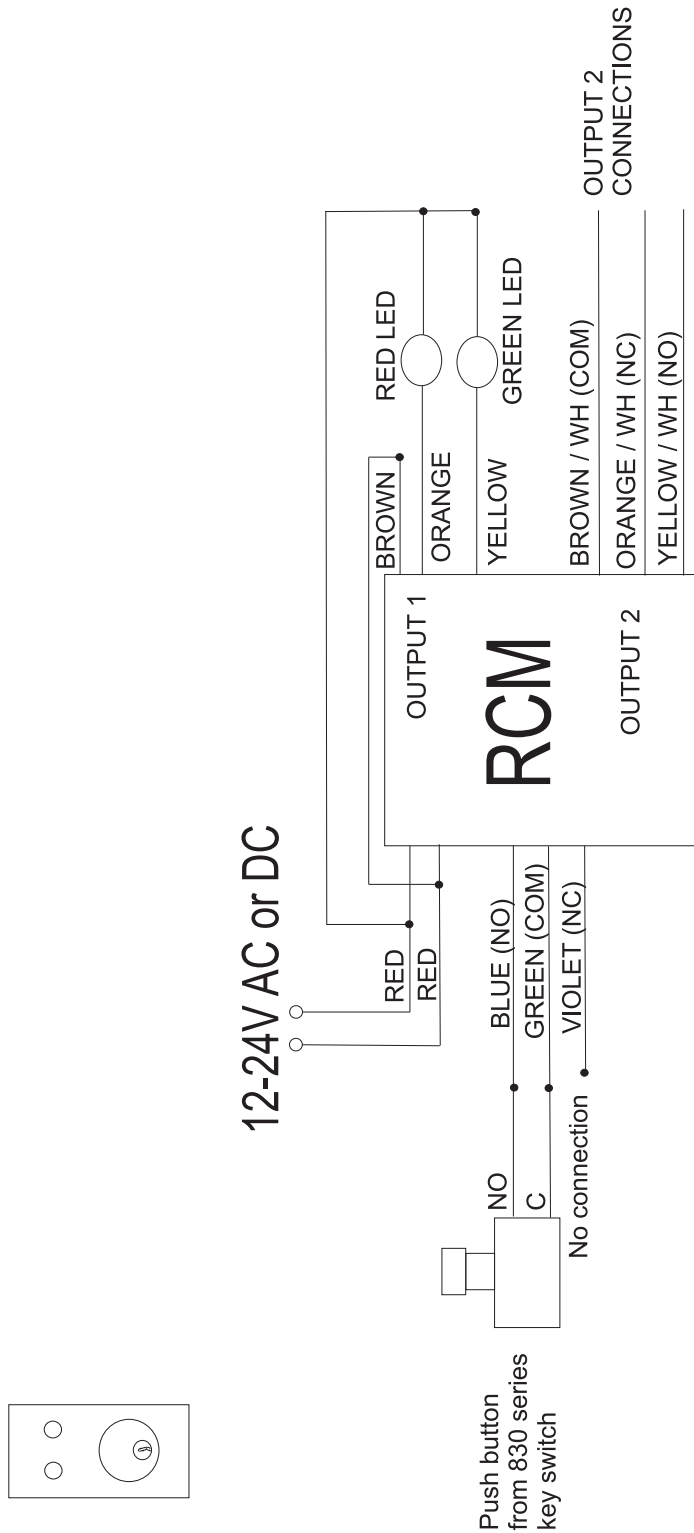


830-59J Series

Combination Keyswitches and Door Activator Switches

INSTALLATION INSTRUCTIONS

FIGURE 4
Typical Wiring for RCM Module and 830 Series



NOTES:

When using the RCM with an 830-59J Combination switch, output 2 connections can be used to enable or disable the 59J actuator switch. Output 2 can also be used to perform other actions, such as turning power on or off for other devices.