

614 Series

Extreme Door Activator Switches

INSTALLATION INSTRUCTIONS

Section 1

General Description

The 614 series extreme door activator switches are designed to provide reliable activation of any automatic door in extreme environments. This 1" diameter button switch is completely waterproof and virtually indestructible. The face plates come in two sizes.

614-SS: 4 1/2" square face plate (fits single-gang electrical box)

614-NSS: 1 11/16" x 4 1/2" face plate (fits 1 3/4" door frame)

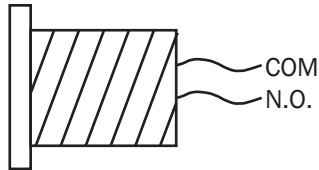
Section 2

Basic Installation

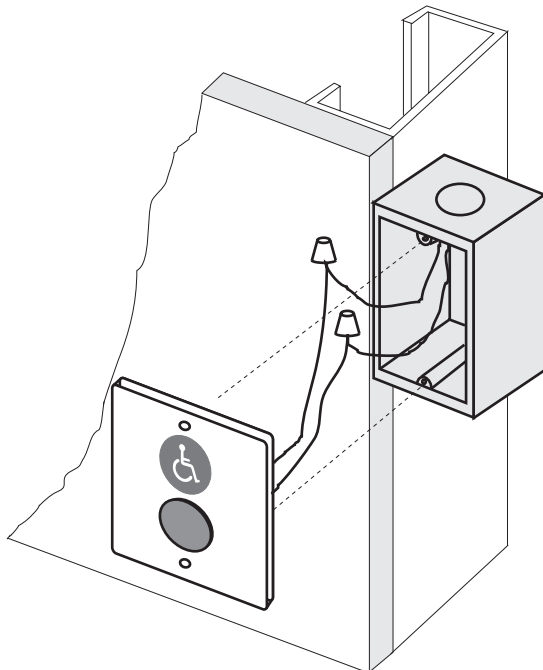
614-SS: 4 1/2" Square Face Plate

- 1) Mount a standard single-gang electrical box in its intended location.
- 2) Connect the necessary signal wires to the switch wires.

1" Diameter
Red Anodized Aluminum
Piezo Technology

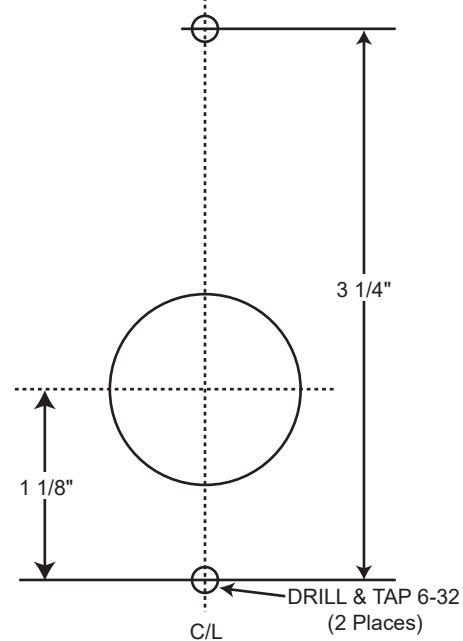


- 3) Attach the switch assembly to the electrical box with the 6-32 x 1" screws provided. **Do Not Over Tighten!**



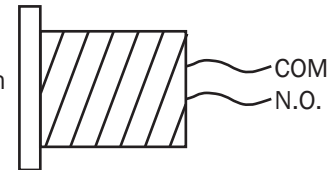
614-NSS: 1 11/16" x 4 1/2" Face Plate

- 1) Make the required cutout in the door frame.

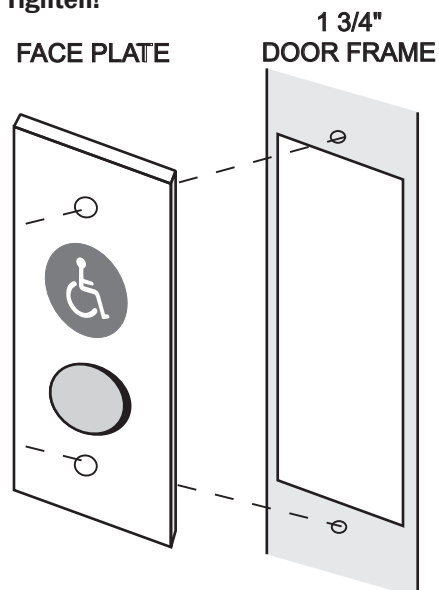


- 2) Connect the necessary signal wires to the switch wires.

1" Diameter
Red Anodized Aluminum
Piezo Technology



- 3) Attach the switch assembly in the cutout prepared in step 1 with the 6-32 x 1" screws provided. **Do Not Over Tighten!**



614 Series

Extreme Door Activator Switches

INSTALLATION INSTRUCTIONS



NOTICE: For surface mounting applications, order the 1015 surface mount box for the 614; the 1106-A surface mount box for the 614-N.



NOTICE: For radio control applications, order the CP/TX transmitter with surface mount box for the 614; the CP/TX-J transmitter with surface mount box for the 614-N.

For further technical assistance, contact the factory at 1-317-842-2545.

Section 3

Basic Installation

Rated Voltage..... 0 to 24V AC or DC;60V Max.
Current..... 0.100A
Switch Resistance "ON"..... <100 Ohms
Switch Resistance "OFF".....>5 Megohms
Actuation Force.....3 to 5 N
Operating Temperature..-40° F (-20° C) to 257° F (125° C)
Cycles.....>50 Million

