

TABLE OF CONTENTS

SafePath™ SENSORS

Pedestrian Door Sensors

- **microStar™ M** Microwave Motion Sensor with Human Presence Radar™
- **DH100-CT** FRM-AI Combination Motion & Presence Sensor
- **DHR3** Combination Microwave Motion and FRM-AI Presence Sensor
- **SSS-5** Swing Door Mounted Presence Sensor
- **DH400** FRM-AI Presence Sensor
- **DH94** FRM-AI Presence Sensor

Industrial Door Sensors

- **ID20** Long Range Microwave Motion Sensor
- **HR-Robus** High Mount Industrial Motion Sensor

SWITCH PRODUCTS

Push Plate Switches

- **59 Series** 4½" Square Push Plate Switches
- **59R4 Series** 4½" Round Push Plate Switches
- **59R6 Series** 6" Round Push Plate Switches
- **59J Series** Jamb Style Push Plate Switches
- **59V Vestibule Series** Push Plate Switches
- **425 Series** Jamb Style Button Switches
- **1078 Series** Low Profile Push Plate Switches

Specialty Switches

- **216 Series** "Touchless" Infrared Switches
- **216TX Series** Touchless Wireless Switches
- **614 Series** Extreme Switches
- **830 Series** Heavy Duty Keyswitches
- **830-59J Series** Combination Keyswitches & Push Plate Switches
- **628 Series** Heavy Duty Push Plate Switch Bollards
- **608 Series** Heavy Duty Push Plate Switch Bollards
- **514 Series** Heavy Duty Push Plate Switch Bollards

NexGen Switches

- **NexGen** Capacitive Touch 4½" Square Switches
- **NexGen** Infrared Touchless 4½" Square Switches
- **NexGen** Wireless Capacitive Touch 4½" Square Switches
- **NexGen** Wireless Infrared Touchless 4½" Square Switches

Switch Accessories

- **2WIRE Module** Control Module to enable installation of Powered Actuators as a 2 wire System
- **Mounting Boxes and Escutcheons**



ClearPath™ RADIO CONTROL PRODUCTS

- **CP/TX** Wall Mount Transmitter
- **CP/TX-J** Jamb Mount Transmitter
- **CP/RX** Multi Mode Receiver
- **CP/TX-P** 608 Series Bollard Transmitter Assembly
- **CP/STX** Vestibule Sequencing Transmitter
- **CP/TX-V** Dual Vestibule Transmitter
- **CP/TX-HH** Handheld Transmitter



ClearPath™ Spectrum RADIO CONTROL PRODUCTS

- **S-TRX** Spectrum Wall Mount Transceiver
- **S-TRX-J** Spectrum Jamb Mount Transceiver
- **S-COR** Spectrum Coordinator
- **S-TRX-HH** Spectrum Handheld Transceiver
- **S-TRX-V** Spectrum Vestibule Transceiver
- **S-TRX-P** Spectrum 608 Series Bollard Transceiver



AccuGuard™ SAFETY BEAMS

- **HP2** Modular Safety Beam System
- **GD11S** Surface Mount Safety Beams
- **DB11** Recess Mount Safety Beams

TIMERS & RELAY LOCKOUTS

- **TDM** Universal Timing Module
- **TDM-HC** High Current Universal Timing Module
- **RLM** Relay Lockout Module
- **SAM** Secondary Activation Module
- **PTM** Privacy Timing Module



DOOR DECALS & ACCESSORIES

- **ANSI Door Safety Decals**
- **Sensor Accessories**



ENGINEERED FOR MOTION



microStar™ M Microwave Motion Sensor with HPR™



Product Name microStar™ M

Microwave Motion Sensor featuring
Human Presence Radar™ (HPR™)

Contact Information

MS SEDCO
7898 Zionsville Road
Indianapolis, IN 46268
Phone: (317) 842-2545
www.mssedco.com
info@mssedco.com

Product Description

BASIC USE

The microStar M is a flush-mount microwave motion sensor with Human Presence Radar™ (HPR™) for activating all types of automatic doors. The microStar M provides unparalleled protection to even the slowest moving pedestrians from doors closing prematurely.

The microStar M is the first motion sensor to feature an “installation mode,” which allows the installer to set the detection area without having to physically activate the door.

Human Presence Radar™ (HPR™) sensors provide more safety than any other standalone microwave motion sensor.

Like other conventional microwave sensors, for the microStar M to activate an automatic door, it utilizes Doppler shift radar to detect movements of at least 2” per second. However, once the door has been activated, the microStar’s second

level of detection — Human Presence Radar™ — is enabled. Now motion down to 1/4” per second can be detected. This means with HPR™ enabled, persons virtually standing still will continue to be detected anywhere in the detection zone.

Since conventional Doppler shift radar must initially activate the door before enabling Human Presence Radar™, there is no additional chance for false activation of the door because HPR™ alone cannot activate the door.

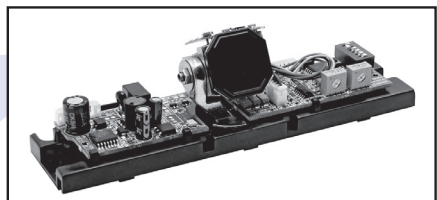
Human Presence Radar™ gives slow moving, elderly or disabled persons the confidence that once they have been initially detected, they can safely approach an automatic door at any speed without the door closing prematurely.

Technical Data

- Human Presence Radar™ (HPR™) Provides Additional Level of Motion Detection After Initial Door Activation
- Unidirectional & Bidirectional, Narrow & Wide Patterns, and Variable Elevation, In One Unit
- Two Planar Antennas Included
- Can Be Mounted Up To 15 Feet Above Floor
- Easy To Install and Set-Up Without Proprietary External Devices
- Easy Sensitivity and Time Delay Adjustments
- Install Mode To Set Up Activation Pattern Without Physically Activating Doors
- Fits 1 3/4” Door Frames
- Bidirectional Pattern Adjustment (Left/Right, In/Out)
- Visible LEDs To Verify Activation In Normal Operating Mode
- UV Stabilized ABS Plastic Enclosure
- Rain Cover Available (MSRC)

SPECIFICATIONS

Model	microStar™ M
Frequency	24.125 GHz ± 50 MHz (K-Band)
Detection Method	Initial Detection: Doppler Shift Radar Selectable Additional Detection: Human Presence Radar™ (HPR™)
Detection Pattern	Selectable, wide or narrow
Detection Angle	Adjustable, 21° to 90° ±25° Left/Right
Directionality	Switch Selectable, Unidirectional or Bidirectional
Range	Adjustable (range pot.)
Max. Mounting Height	15' (4.5m)
Power Requirements	12V to 24V AC or DC ± 10%
Power Consumption	3.5W Maximum
Output Contact	Form C, Rated at 1 Amp
Output Power	5mW Typical, 2mW Minimum
Hold Time	Adjustable, 1.5 to 5 Seconds
Mounting	Flush Mounted Optional Universal Mounting Bracket (MS-BDB)
Temperature	-22°F to 158°F (-30°C to 70°C)
Color	Flat Black
Weight	<1 lb. (0.45kg)
Size	6 1/2”W x 1 7/8”H x 2 3/4”D 16.5cmW x 4.8cmH x 7cmD



072017

APPLICABLE STANDARDS

American National Standards Institute (ANSI) - Building Hardware Manufacturer's Association (BHMA) - ANSI/BHMA A156.10.

APPROVALS

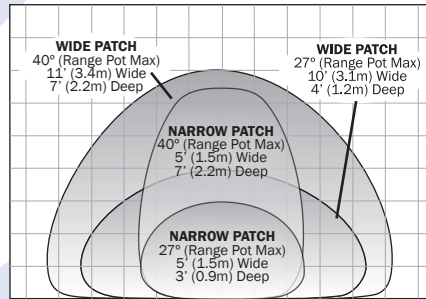
FCC, CE, IC

Installation

SETUP AND ADJUSTMENT

The microStar M installs easily. A self-stick template allows for easy prep for the sensor's backplate. Wires are then attached to the sensor via a harness. A clearly visible LED lights and indicates sensor state when power is applied. A four-position dip switch allows the installer to select bidirectional or unidirectional (either approach or depart) activation, set failsafe mode, and to deactivate Human Presence Radar™ (HPR™) if desired. An Install Mode allows for the detection to be set without activating the door. The planar antennas are interchangeable for wide and narrow patterns and may be adjusted to move the pattern in and out from the door, or left to right. A range potentiometer further adjusts the range, and a second potentiometer adjusts the time delay from 1.5 to 5 seconds. Once the appropriate range is reached, the installer finishes by attaching the cover

COVERAGE PATTERN



Availability & Cost

AVAILABILITY

Available internationally from manufacturer's authorized distributors; contact MS SEDCO for the location of nearest distributor.

COST

Cost information on MS SEDCO products is available from the manufacturer's distributors.

Warranty

A three year warranty is available from the manufacturer covering defects in materials and workmanship. Contact MS SEDCO for details.

Technical Services

MS SEDCO's staff of factory trained sales and service personnel offer design assistance and technical support. Local distributors are also available to assist in selecting appropriate devices for specific uses and to provide onsite installation.

MS-BDB

(Optional Mounting Bracket)



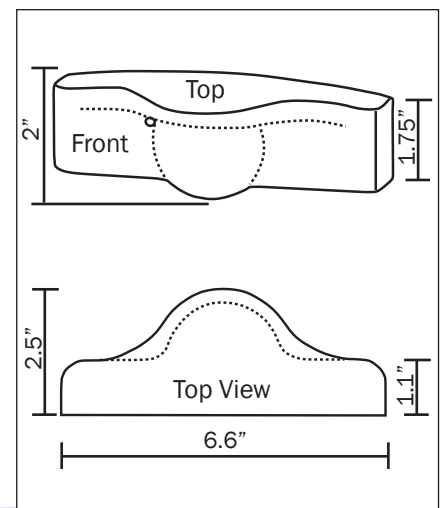
The MS-BDB is an optional mounting device that allows the installer to elevate and rotate the microStar-M for special configurations.

MSRC

(Optional Rain Cover)



DIMENSIONS





ENGINEERED FOR MOTION



SafePath™ DH100-CT Sliding Pedestrian Door Motion & Presence Sensor



The DH100-CT is designed for easy field installation and adjustment. The pattern width and depth are both mechanically adjustable. In addition, the depth can be altered electronically from 5 to 2 rows. All adjustments are available without the use of proprietary set-up devices.

Product Name SafePath™ DH100-CT

Featuring FRM-AI technology with Maximum Pattern Infrared™ (MPI™)

Contact Information

MS SEDCO
7898 Zionsville Road
Indianapolis, IN 46268
Phone: (317) 842-2545
www.mssedco.com

Product Description

BASIC USE

The SafePath™ DH100-CT is an active infrared presence sensor that is designed to provide both activation and safety detection for automatic sliding and folding doors in a single device.

The DH100-CT is based on the most reliable active infrared (AI) technology available—Floor Reflection Method (FRM).

Floor Reflection Method™ (FRM™) sensors with Maximum Pattern Infrared™ (MPI™) provide better safety than other infrared sensors.

With FRM-AI, up to 48 individual detection points are precisely reflected off of the floor in a rectangular pattern meeting and exceeding ANSI A156.10 guidelines.

Technical Data

- Floor Reflection Method Active Infrared Technology (FRM-AI)
- One Sensor Provides Complete Presence Detection
- Test Input provides sensor monitoring capabilities as required by the latest industry standard.
- Pattern depth and width are adjustable using mounting height, dip switches, detection area depth, and detection area width adjustments.
- Frequency can be changed to prevent interference from other sensors in close proximity.
- Self-Diagnostic means the sensor continuously monitors itself.
- Monitor Mode Switch ensures against false operation caused by snow, leaves, insects, etc.
- Programmable Presence Timer (2 sec., 30 sec., 60 sec., or infinity).

SafePath Maximum Pattern Infrared (MPI™) sensors use more beams than other manufacturers—and provide a level of safety not found in other stand-alone infrared sensors.

SPECIFICATIONS

Model	DH100-CT
Detection Method	Floor Reflection Method Active Infrared (FRM-AI)
Max. Installation Height	9.84 ft. (3.0m)

Sensitivity Adjustment
Variable (via potentiometer)

Detection Area Adjustment
Pattern Depth (2 to 5 rows via dip switch setting) and Angle Adjustment Levers (Outer 2 Rows 10° in 3 steps; Inner 3 Rows 8° in 3 steps)
Pattern Width via 2 Position Mechanical Mask Knobs (Outer 2 Rows = Narrow or Wide Inner 3 Rows = Single or Double Door)

Detection Beams
Up to 48 Beams
(Inner 2 Rows: 12 Beams x 2 Rows)
(Outer Rows: 8 Beams x 3 Rows)

Presence Detection
1, 2 & 3 Inner Rows (Safety)

Motion Detection
4&5 Outer rows (Approach)

Power Requirements
12V to 24V AC or DC ± 10%

Power Consumption (Max.)
AC12V-1.5VA, AC24V-2.0VA
DC12V-80mA, DC24V-50mA

Output Contact
Form C Relay, DC50V 0.1A (Resistor Load)
Yellow Wire = Normally Open
Green Wire = Normally Closed
White Wire = Common
Relay is “driven” when power fails

Output Holding Time
Approx. 0.5 Seconds

Presence Timer
Outer 2 Rows (1 sec.)
Inner 3 Rows (2, 30, 60 sec. & infinity)

Operation Indication
Red LED = Detecting
Green LED = Standby
Orange LED= Detection row “ROW 1” is too close to the door

Temperature Range
-4° F to 140° F (-20° C to 60° C)

SafePath™ DH100-CT Sliding Pedestrian Door Motion & Presence Sensor



ENGINEERED FOR MOTION

Weight

Approx. 0.55 lbs. (0.25 kg)

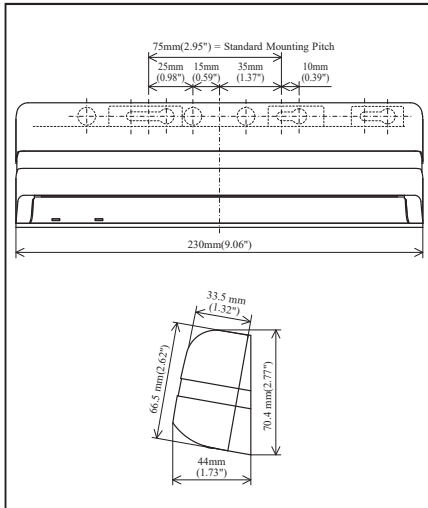
Cover Color

Black

Accessories

Cable, Mounting Screws,
Mounting Template, Installation
Instructions

DIMENSIONS



APPLICABLE STANDARDS

American National Standards
Institute (ANSI) - Building Hardware
Manufacturers Association (BHMA) -
ANSI/BHMA A156.10.
Enclosure Rating IP54

APPROVALS

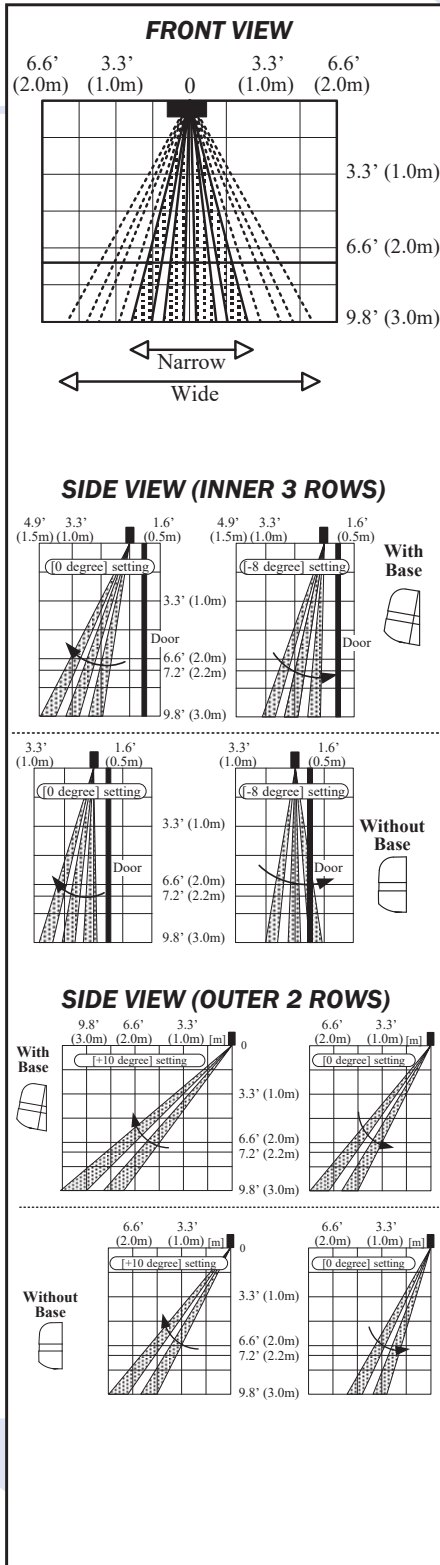
CE

Installation

SETUP AND ADJUSTMENT

The DH100-CT installs easily. Simple amp connectors make wiring fast. Pattern width is selected by dip switch, mounting and mechanical adjustment. The indicator LED is clearly visible with the cover on. Two 8 position dip switches allow the installer to adjust presence timers, pattern depth, frequency, monitoring modes.

COVERAGE PATTERN



(These detection patterns are approximate and will vary slightly. Walk-test the unit to assure the pattern desired.)

Availability & Cost

AVAILABILITY

Available internationally from manufacturer's authorized distributors; contact MS SEDCO for the location of nearest distributor.

COST

Cost information on MS SEDCO products is available from the manufacturer's authorized distributors.

Warranty

A three year warranty is available from the manufacturer covering defects in materials and workmanship. Contact MS SEDCO for details.

Maintenance

MS SEDCO recommends that all maintenance and adjustments be performed by an AAADM Certified Technician.

Technical Services

MS SEDCO's staff of factory trained sales and service personnel offer design assistance and technical support. Local distributors are also available to assist in selecting appropriate devices for specific uses and to provide onsite installation.



ENGINEERED FOR MOTION



SafePath™ DHR3 Combination Microwave Motion & Active Infrared Presence Sensor



The DHR3 is designed for easy field installation and adjustment. The pattern width and depth are both mechanically adjustable. In addition, the depth can be altered electronically from 5 to 2 rows. All adjustments are available without the use of proprietary set-up devices.

Product Name

SafePath™ DHR3

Combination Microwave Motion and Active Infrared Presence Detector

Contact Information

MS SEDCO

7898 Zionsville Road

Indianapolis, IN 46268

Phone: (317) 842-2545

www.mssedco.com

Product Description

BASIC USE

The SafePath™ DHR3 is a combination microwave and active infrared motion/presence sensor designed to provide both activation and safety protection for automatic sliding and folding doors.

The DHR3 is based on the most reliable microwave and active infrared (AI) technology available—Floor Reflection Method (FRM).

Floor Reflection Method™ (FRM™) sensors with Maximum Pattern Infrared™ (MPI™) provide better safety than other infrared sensors.

The DHR3 provides motion detection as far as 10.5 feet (3.2m) from the door while simultaneously providing a dense zone of presence detection at the threshold of the door.

Technical Data

- Doppler Shift Radar & Active Infrared Reflection Technology
- One Sensor Provides Complete Motion & Presence Detection
- 4 Presence Timer Settings
- Mounts Up To 10.5' (3.2m)
- Electronic Depth Adjustment
- Quick-Connect Wiring Harness Included
- Four Frequency Settings
- 12V to 24V AC or DC Operation
- Form C Dry Relay Contact N.O., COM, N.C.
- Rain Cover Available

SafePath Maximum Pattern Infrared (MPI™) sensors use more beams than other manufacturers—and provide a level of safety not found in other stand-alone infrared sensors.

SPECIFICATIONS

Model	DHR3
Detection Method	Doppler Shift Radar & Active Infrared Reflection
Max. Installation Height	10.5 ft. (3.2m)
Power Requirements	12V to 24V AC or DC ± 10%
Power Consumption	AC24V-2.5VA, AC12V-2.5VA DC24V-65mA, DC12V-140mA

INFRARED SENSOR

Detection Method

Active Infrared Reflection

Output Holding Time

0.5 seconds

Response Time

0.1 to 0.2 seconds

Presence Timer

2, 30, 60 seconds or infinity

Output Contact

7.5mA Max (Resistor Load), 55V DC
Max Voltage, 50mA Max Current

MICROWAVE SENSOR

Detection Method

Doppler Shift Radar

Operating Frequency

24.15 GHz

Output Holding Time

1.5 seconds

Response Time

0.1 to 0.2 seconds

Output Contact

Form C Relay, DC50V 0.1A Resistor Load

Operation Indication

- GREEN LED = Standby
- GREEN Blinking LED - Doorway Learning (when dip switch ⑤ is ON)
- BLUE LED = Radar Detecting
- RED LED = IR Detecting/Radar and IR Detecting
- Orange LED= Detection row "ROW 1" ("ROW 2" when "Doorway Learn" is turned ON) is detecting door movement
- ORANGE Blinking (Fast) LED = Indicates a change of dip switch settings
- ORANGE Blinking (Slow) LED = Door Hold is turned ON (When dip switch ④ is ON)
- GREEN/RED Blinking (Fast) LED = Internal Sensor Error
- GREEN/RED Blinking (Slow) LED = Reflected infrared signal from the floor is very low

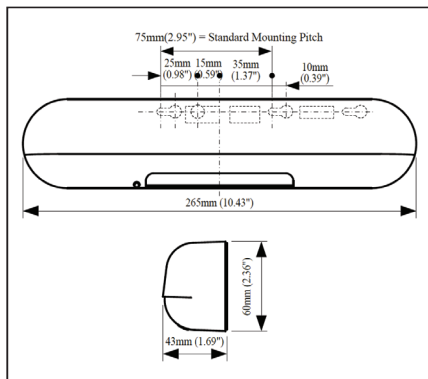
SafePath™ DHR3 Combination Microwave Motion & Active Infrared Presence Sensor



ENGINEERED FOR MOTION

Enclosure Rating	IP54 (IEC60529)
Temperature Range	-4°F to 140°F (-20°C to 60°C)
Weight	Approx. 0.58 lbs. (0.28 kg)
Cover Color	Black, Silver
Accessories	Cable: 8.2 ft. (2.5m) Mounting Screws Mounting Template Installation Instructions

DIMENSIONS



APPLICABLE STANDARDS

American National Standards Institute (ANSI) - Building Hardware Manufacturers Association (BHMA) - ANSI/BHMA A156.10.
Enclosure Rating IP54

APPROVALS

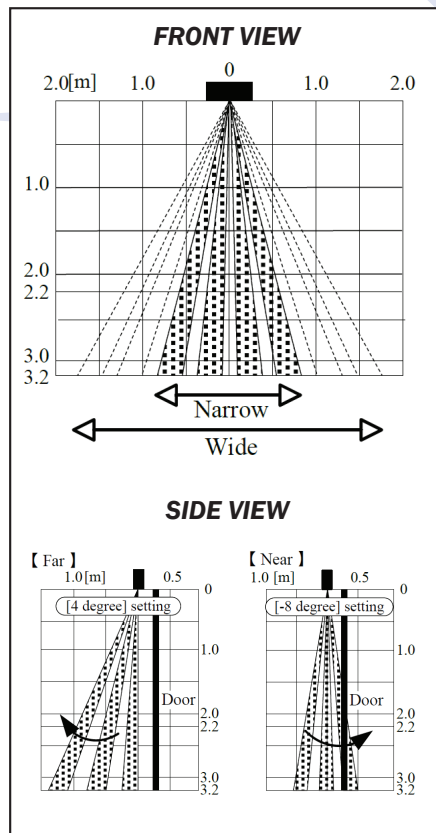
CE

Installation

SETUP AND ADJUSTMENT

The DHR3 installs easily. Simple amp connectors make wiring fast. Pattern width is selected by dip switch, mounting and mechanical adjustment. The indicator LED is clearly visible with the cover on. Two multiple-position dip switches allow the installer to adjust presence timers, pattern depth, frequency, monitoring modes.

COVERAGE PATTERN



(These detection patterns are approximate and will vary slightly. Walk-test the unit to assure the pattern desired.)

Availability & Cost

AVAILABILITY

Available internationally from manufacturer's authorized distributors; contact MS SEDCO for the location of nearest distributor.

COST

Cost information on MS SEDCO products is available from the manufacturer's authorized distributors.

Warranty

A three year warranty is available from the manufacturer covering defects in materials and workmanship. Contact MS SEDCO for details.

Maintenance

MS SEDCO recommends that all maintenance and adjustments be performed by an AAADM Certified Technician.

Technical Services

MS SEDCO's staff of factory trained sales and service personnel offer design assistance and technical support. Local distributors are also available to assist in selecting appropriate devices for specific uses and to provide onsite installation.



ENGINEERED FOR MOTION

SafePath™ SSS-5

Swing Door Mounted Presence Sensor



SSS-5
Safety Sensor for
Swing Doors

available with Position Sensitive Detection (PSD) technology found in auto focus cameras to ensure precise pedestrian detection within the path of a moving door panel.

The SSS-5 mounts near the top of the door panel out of harms way. PSD sensor technology automatically focuses the sensor lenses to dipswitch controlled height settings.

The PSD sensor module consists of a transmitter (TX) and a receiver (RX) that emits a precise detection pattern.

The SSS-5 mounts on either side or both sides of a door panel depending upon the application. They can also be used to stand alone or in conjunction with other sensors for complete swing door safety. Consult ANSI A156.10 to ensure proper usage and to meet all safety requirements.

Technical Data

- Combines reliable active infrared and Auto Focus Position Sensitive Detection (PSD) technologies for precise detection
- Mounts at top of door to eliminate potential damage from shopping carts and hospital beds
- SSS-5M1
- Works with any manufacturer's operator
- Adjustable detection angle, distance and width
- Quick-Connect wiring harnesses
- Infinite presence timer

- 12V to 24V AC or DC Operation
- Form C Dry Relay Contact; Output Logic Dipswitch Selectable

SPECIFICATIONS

<i>Model</i>	SafePath SSS-5 Door Mounted Presence Sensor
<i>Detection Method</i>	Active Infrared with Position Sensitive Detection (PSD) Measurement
<i>Max. Installation Height</i>	8'6" (2.6m)
<i>Detection Range</i>	0'-8'2" (0-2.5m)
<i>Beam Angle Adjustment</i>	5°, 10°, 15°, 20°, 25°
<i>Presence Timer</i>	Infinity
<i>Power Supply</i>	12-24V AC or DC ± 10%
<i>Power Consumption (per sensor module)</i>	AC12V-1.7VA, DC12V-95mA AC24V-2.3VA, DC24V-55mA
<i>Output Contact</i>	Form C Relay; DC50V 0.1A Non Voltage 1C
<i>Response Time</i>	<100mSec.
<i>Delay Hold Time</i>	0.5 sec.
<i>Temperature Range</i>	-4°F to 140°F (-20°C to 60°C)
<i>Weight</i>	SSS-5M1: 1.2lbs. (540g)
<i>Color</i>	Black

Product Name

SafePath™ SSS-5

Swing Door Mounted Presence Sensor

Contact Information

MS SEDCO
7898 Zionsville Road
Indianapolis, IN 46268
Phone: (317) 842-2545
www.mssedco.com

Product Description

BASIC USE

The SafePath SSS-5 is a door mounted presence sensor designed to provide safety protection for any swing, bi-fold, revolving and low energy automatic doors. On swing doors, while the door is opening, the SSS-5 will sense and protect a person in it's path and either slow or stop the door. When the door is closing, the SSS-5 will sense a person in it's path and reopen the door.

The SSS-5 combines the most reliable active infrared technology

SafePath™ SSS-5 Swing Door Mounted Presence Sensor



ENGINEERED FOR MOTION

APPLICABLE STANDARDS

American National Standards Institute (ANSI) - Building Hardware Manufacturers Association (BHMA) - ANSI/BHMA A156.10, A156.19, A156.27

DETECTION AREA

Detection Angle can be changed from 5°-25°, in 5° steps, using Angle Stabilizer.



* SSS-5M1 with single sensor module is shown

Availability & Cost

AVAILABILITY

Available internationally from manufacturer's authorized distributors; contact MS SEDCO for the location of nearest distributor.

COST

Cost information on MS SEDCO products is available from the manufacturer's authorized distributors.

Warranty

A three year warranty is available from the manufacturer covering defects in materials and workmanship. Contact MS SEDCO for details.

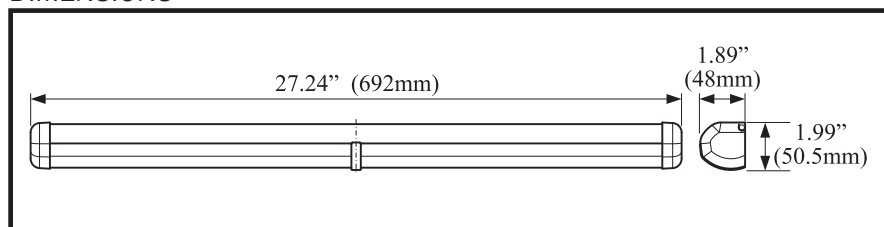
Maintenance

MS SEDCO recommends that all maintenance and adjustments be performed by an AAADM Certified Technician.

Technical Services

MS SEDCO's staff of factory trained sales and service personnel offer design assistance and technical support. Local distributors are also available to assist in selecting appropriate devices for specific uses and to provide onsite installation.

DIMENSIONS





ENGINEERED FOR MOTION



SafePath™ DH400 FRM-AI Combination High Mount Presence Sensor



Product Name SafePath™ DH400

Featuring FRM-AI technology with Maximum Pattern Infrared™ (MPI™)

Contact Information

MS SEDCO
7898 Zionsville Road
Indianapolis, IN 46268
Phone: (317) 842-2545
www.mssedco.com

Product Description

BASIC USE

The SafePath™ DH400 is a high mount active infrared presence sensor designed to provide both activation and safety protection for automatic sliding and folding doors.

The DH400 is based on the most reliable active infrared (AI) technology available—Floor Reflection Method (FRM).

Floor Reflection Method™ (FRM™) sensors with Maximum Pattern Infrared™ (MPI™) provide better safety than other infrared sensors.

With FRM-AI, up to 60 individual detection zones are precisely reflected off of the floor in a rectangular pattern meeting and exceeding ANSI A156.10 guidelines.

The DH400 provides detection as far as 13.1 feet (4.0m) from the door while simultaneously providing a dense zone of presence detection at the threshold of the door. With a sensing area of up to 60 separate detection zones, the DH400 provides the highest density pattern available.

The DH400 is designed for easy field installation and adjustment. The pattern width and depth are both mechanically adjustable. In addition, the depth can be altered electronically from 5 to 2 rows. All adjustments are available without the use of proprietary set-up devices.

Technical Data

- Floor Reflection Method Active Infrared Technology (FRM-AI)
- One Sensor Provides Complete Presence Detection
- Up To 60 Detection Zones
- 4 Presence Timer Settings
- Mounts Up To 13.1' (4.0m)
- Electronic Depth Adjustment From 5 to 2 Rows
- Separate Dip Switch Width Adjustment for Right and Left allowing maximum customization of pattern
- Quick-Connect Wiring Harness Included
- Four Frequency Settings
- 12V to 24V AC or DC Operation
- Form C Dry Relay Contact N.O., COM, N.C.
- Rain Cover Available (DHRC)

SafePath Maximum Pattern Infrared (MPI™) sensors use more beams than other manufacturers—and provide a level of safety not found in other stand-alone infrared sensors.

SPECIFICATIONS

Model	DH400
Detection Method	Floor Reflection Method Active Infrared (FRM-AI)
Max. Installation Height	13.1 ft. (4.0m)
Sensitivity Adjustment	Variable (via potentiometer)
Detection Area Adjustment	Pattern Width: Up to 12 rows (6 left, 6 right) Pattern Depth: 5 to 2 Rows + Independent Tilt Settings: Detection Beams: Up to 60 Beams
Power Requirements	12V to 24V AC or DC ± 10%
Power Consumption	AC24V-2.5VA, AC12V-2.5VA DC24V-65mA, DC12V-140mA
Output Contact	Form C Relay, DC50V 0.1A Resistor Load
Output Holding Time	Approx. 0.5 Seconds
Presence Timer	2, 30, 60 sec. & infinity
Operation Indication	Red LED = Detecting Green LED = Standby Green Blinking LED - Doorway Learning (when dip switch Y 8 is ON) Orange LED = Detection row "ROW 1" ("ROW 2" when "Doorway Learn" is turned ON) is detecting door movement Orange Blinking LED = Indicates a change of dip switch settings or sensitivity volume Green/Red Blinking LED = Internal Sensor Error
Enclosure Rating	IP54 (IEC60529)

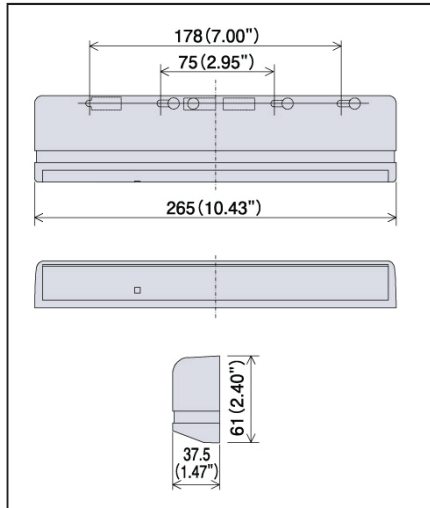
SafePath™ DH400
FRM-AI Combination
High Mount Presence Sensor



ENGINEERED FOR MOTION

Temperature Range	-4°F to 140°F (-20°C to 60°C)
Weight	Approx. 0.64 lbs. (0.29 kg)
Cover Color	Black, Silver
Accessories	Cable: 8.2 ft. (2.5m)

DIMENSIONS



APPLICABLE STANDARDS

American National Standards Institute (ANSI) - Building Hardware Manufacturers Association (BHMA) - ANSI/BHMA A156.10.
 Enclosure Rating IP54

APPROVALS

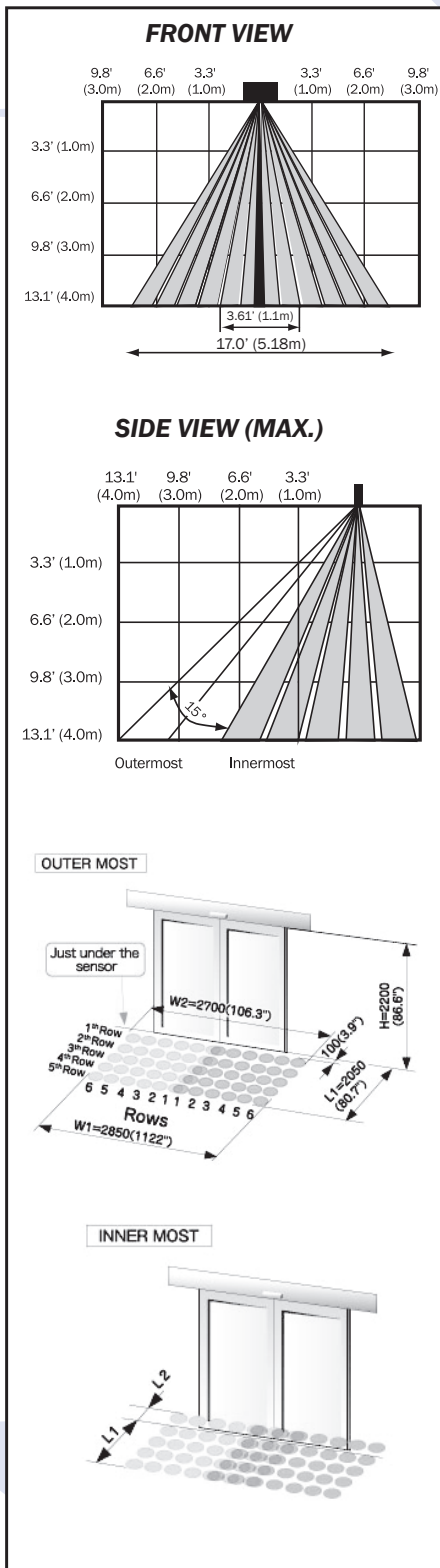
CE

Installation

SETUP AND ADJUSTMENT

The DH400 installs easily. Simple amp connectors make wiring fast. Pattern width is selected by dip switch, mounting and mechanical adjustment. The indicator LED is clearly visible with the cover on. Two 8 position dip switches allow the installer to adjust presence timers, pattern depth, frequency, monitoring modes.

COVERAGE PATTERN



(These detection patterns are approximate and will vary slightly. Walk-test the unit to assure the pattern desired.)

Availability & Cost

AVAILABILITY

Available internationally from manufacturer's authorized distributors; contact MS SEDCO for the location of nearest distributor.

COST

Cost information on MS SEDCO products is available from the manufacturer's authorized distributors.

Warranty

A three year warranty is available from the manufacturer covering defects in materials and workmanship. Contact MS SEDCO for details.

Maintenance

MS SEDCO recommends that all maintenance and adjustments be performed by an AAADM Certified Technician.

Technical Services

MS SEDCO's staff of factory trained sales and service personnel offer design assistance and technical support. Local distributors are also available to assist in selecting appropriate devices for specific uses and to provide onsite installation.



ENGINEERED FOR MOTION



SafePath™ DH94 FRM-AI Presence Sensor



Product Name SafePath™ DH94

featuring FRM-AI technology with
Maximum Pattern Infrared™ (MPI™)

Contact Information

MS SEDCO
7898 Zionsville Road
Indianapolis, IN 46268
Phone: (317) 842-2545
www.mssedco.com

Product Description

BASIC USE

The SafePath DH94 is a 4-row presence sensor designed to provide both activation and safety protection to automatic sliding entrances with shallow approaches such as those found in a typical “strip center” shopping complex.

The DH94 is based on the most reliable active infrared (AI) technology available — Floor Reflection Method (FRM).

Floor Reflection Method™ (FRM™) sensors with Maximum Pattern Infrared™ (MPI™) provide better safety than other infrared sensors.

With FRM-AI up to 32 individual detection zones are precisely reflected off of the floor in a rectangular pattern meeting and exceeding ANSI A156.10 guidelines.

SafePath Maximum Pattern Infrared (MPI™) sensors use more beams than other manufacturers—and provide a level of safety not found in other stand-alone infrared sensors.

The DH94 is designed for easy field installation and adjustment. The pattern width and depth are mechanically adjustable. In addition, depth can be altered electronically from 4 rows to 1 row thus providing either a pattern deep enough for both activation and safety or shallow enough for curtain-like safety protection at the threshold. All adjustments are available without the use of proprietary set-up devices.

Technical Data

- Floor Reflection Method Active Infrared (FRM-AI) Technology
- Up To 32 Detection Zones
- Quick-Connect Wiring
- Mount Up To 9.8' (3m) High
- Programmable Presence Timer (2, 30, 60 or ∞ Seconds)
- Tape-Free Masking
- No Lens Changing
- Electronic Depth Adjustment (From 4 to 1 Rows)
- Snow Mode
- Indicator LED
- Elevation Angle Adjustment (0° to 5°)
- 12V or 24V AC or DC Operation
- Rain Cover Available (DHRC)

SPECIFICATIONS

Model	SafePath DH94
Detection Method	Floor Reflection Method Active Infrared (FRM-AI)
Max. Installation Height	9.8 Feet (3m)

Detection Area Adjustment

- Pattern Width (Wide & Narrow)
- Pattern Depth (4 to 1 Rows)
- Angle Adjustment (0° to 5°)

Power Requirements

12V to 24V AC or DC ± 10%

Power Consumption

- AC12V: 1.35VA Max
- AC24V: 1.5VA Max
- DC12V: 65mA, DC24V: 35mA

Output Contact

Form C Relay: DC50V 0.1A
(Resistor Load)

Output Holding Time

Approx. 0.5 Seconds

Presence Timer

2, 30, 60 or ∞ Seconds
Programmable Via Dip Switch

Operation Indication

- Red LED = Detecting
- Green LED = Standby
- Orange LED = Door movement detected
- Fast Flashing ORANGE = Waiting for reset
- Flashing RED/GREEN = Reflection Diagnostics

Temperature Range

-4° F to 140° F (-20° C to 60° C)

Weight

Approx. 0.40 lbs. (0.180 kg)

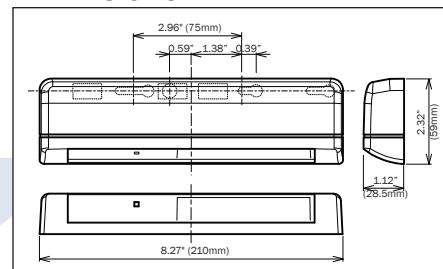
Cover Color

Black

Accessories

Cable: 8 ft. (2.5m)

DIMENSIONS



072017

SafePath™ DH94 FRM-AI Presence Sensor



ENGINEERED FOR MOTION

APPLICABLE STANDARDS

American National Standards Institute (ANSI) - Building Hardware Manufacturers Association (BHMA) - ANSI/BHMA A156.10.

Enclosure Rating IP54 (IEC60529)

APPROVALS

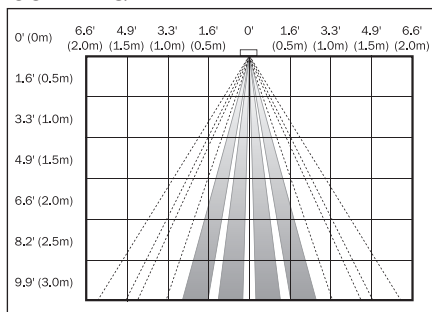
CE

Installation

SETUP AND ADJUSTMENT

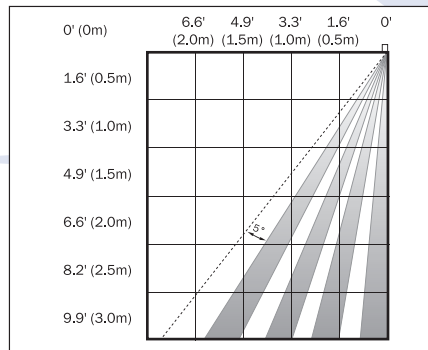
The DH94 installs easily. Simple amp connectors make wiring fast. Side levers allow pattern width to be adjusted from wide to narrow and the body of the sensor can be tilted to adjust pattern depth. The indicator LED is clearly visible with the cover on. An 8 position dip switch allows the installer to adjust the presence timer, pattern depth, frequency and monitoring modes.

COVERAGE PATTERN



Wide Pattern @ Maximum
10' (3m) Wide

Narrow Pattern @ Maximum
4' (1.2m) Wide



Wide Pattern @ Maximum
7' (2m) Deep

Narrow Pattern @ Maximum
7' (2m) Deep

(These detection patterns are approximate and will vary slightly. Walk-test the unit to assure the pattern desired.)

Availability & Cost

AVAILABILITY

Available internationally from manufacturer's authorized distributors; contact MS SEDCO for the location of nearest distributor.

COST

Cost information on MS SEDCO products is available from the manufacturer's authorized distributors.

Warranty

A three year warranty is available from the manufacturer covering defects in materials and workmanship. Contact MS SEDCO for details.

Maintenance

MS SEDCO recommends that all maintenance and adjustments be performed by an AAADM Certified Technician.

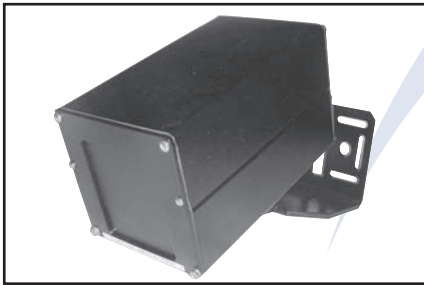
Technical Services

MS SEDCO's staff of factory trained sales and service personnel offer design assistance and technical support. Local distributors are also available to assist in selecting appropriate devices for specific uses and to provide onsite installation.



ENGINEERED FOR MOTION

SafePath™ ID20 Long Range Industrial Microwave Motion Sensor



Product Name SafePath™ ID20

Long Range Industrial Door
Microwave Motion Sensor

Contact Information

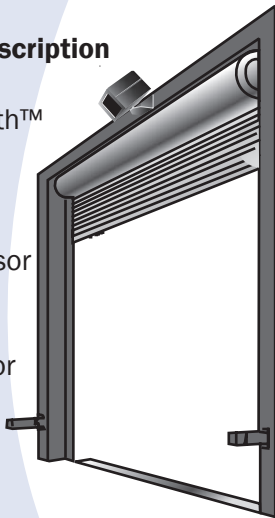
MS SEDCO
7898 Zionsville Road
Indianapolis, IN 46268
Phone: (317) 842-2545
Fax: (317) 849-3387
Email: custsvc@mssedco.com
www.mssedco.com

Product Description

BASIC USE

The SafePath™ ID20 is a long range microwave motion sensor designed to provide activation for industrial doors.

Microwave technology allows the ID20 to only detect motion in one direction (approach-only or depart-only) resulting in more efficient and economical door operation. It is capable of detecting larger



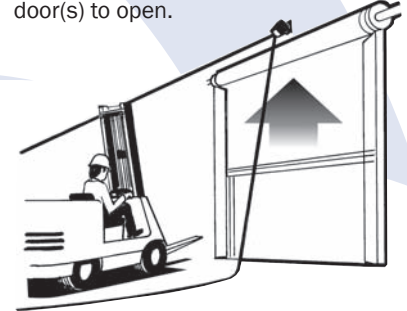
objects, such as fork trucks up to 60 ft. away. The ID20 can be mounted up to 20 ft. off the floor and has a maximum pattern size approximately 18 ft. wide at 60 ft. from the unit. The pattern is adjustable by turning a range potentiometer and aiming the unit. A speed selection switch makes the ID20 capable of detecting pedestrians (at 25 to 30 feet) and/or vehicles.

The ID20 is unaffected by air motion, temperature, humidity, color or background variations. It is less expensive to install than loop detectors and is not susceptible to damage or malfunction from ice, salt and heavy vehicular traffic.

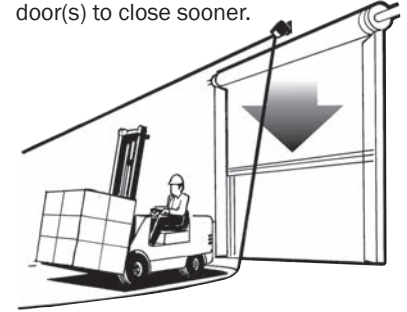
Technical Data

- Hands-free door activation
- Replaces loop detectors
- Heavy-duty, weather-proof aluminum enclosure
- Easy to set-up and install
- Long range small vehicle detection (up to 60 feet)
- Outdoor/indoor use
- Responds to motion in only one direction—approach only or depart only
- Mounts up to 20 ft. high
- Use Safety Beams or Safety Sensors Where Appropriate
- Hold-open time delay (0.5 to 5 seconds)

Approaching traffic enters the detection zone. The ID20 signals the door(s) to open.



Departing traffic clears the hold open beam. The ID20 ignores departing traffic entering its zone, allowing the door(s) to close sooner.



SafePath™ ID20 Long Range Industrial Microwave Motion Sensor



ENGINEERED FOR MOTION

SPECIFICATIONS

Model	ID20
Operating Frequency	10.525 GHz
Detection Method	Doppler Shift Microwave
Detection Pattern	Adjustable
Detection Angle	Adjustable
Directionality	Switch Selectable—Approach Only or Depart Only
Response Time	0.25 seconds
Speed Detection	Switch Selectable >1 mph or >3 mph
Hold Time	0.5 to 5 seconds, adjustable
Power	12V to 24V AC or DC
Current Consumption	0.10 amps
Relay Contacts	Form C, rated at 3 amps
Mounting	Heavy-duty metal bracket with lockset
Enclosure/Finish	Black powder coated aluminum
Temperature	-35° F to 165° F (-37° C to 74° C)
Physical Dimensions	4"H x 4"W x 7"D
Weight	4 lbs.

APPROVALS

FCC

Installation

SETUP AND ADJUSTMENT

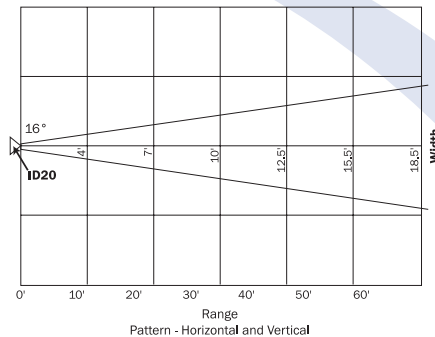
The ID20 Industrial Door Sensor's pattern is adjustable by turning

the range potentiometer mounted on the PC board and aiming the unit.

TYPICAL PATTERN DIAGRAM

Mounting Height: 12 ft.

Tip Angle: 16°



Detection pattern is approximately 18 feet wide by 60 feet deep.

(This detection pattern is approximate and will vary slightly. Walk-test the unit to assure the pattern desired.)

Availability & Cost

AVAILABILITY

Available internationally from manufacturer's authorized distributors; contact MS SEDCO for the location of nearest distributor.

COST

Cost information on MS SEDCO products is available from the manufacturer's authorized distributors.

Warranty

A one year warranty is available from the manufacturer covering defects in materials and workmanship. Contact MS SEDCO for details.

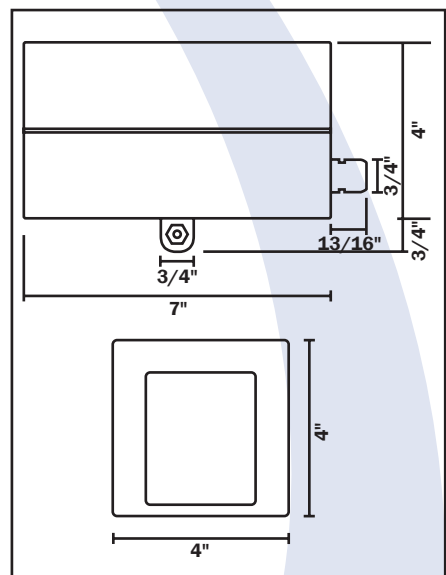
Maintenance

MS SEDCO recommends that all maintenance and adjustments be performed by a qualified technician.

Technical Services

MS SEDCO's staff of factory trained sales and service personnel offer design assistance and technical support. Local distributors are also available to assist in selecting appropriate devices for specific uses and to provide onsite installation.

DIMENSIONS





ENGINEERED FOR MOTION

HR-Robus Industrial Door Microwave Motion Sensor



Product Name

HR-Robus

Industrial Door Microwave Motion Sensor

Contact Information

MS SEDCO
7898 Zionsville Road
Indianapolis, IN 46268
Phone: (317) 842-2545
www.mssedco.com
info@mssedco.com

Product Description

BASIC USE

The HR Robus is a microwave motion sensor for activating automatic industrial doors. Features include a speed selectable switch that makes the unit capable of detecting pedestrians and/or vehicles. Detection mode is selectable between approach-only, depart-only, or bidirectional motion.

Microwave technology allows the HR-Robus to detect larger objects, such as forklift trucks, up to 26.3 feet away. Maximum pattern size is approximately 16.4 feet wide at 26.3 feet from the unit, at a mounting height of 23 feet, and is adjustable via programming, tilt angle, and mounting height. The HR-Robus is not affected by air motion, change in temperature, humidity, color or background variations.

Technical Data

- Unidirectional & Bidirectional Detection
- Can Be Mounted Up To 23 Feet Above Floor
- Easy To Install and Set-Up
- Easy Sensitivity and Hold Time Adjustments via Programming
- UV Stabilized ABS Plastic Enclosure
- Optional Robus-RC remote control for easy setup

Color

Flat Black

Enclosure

Ground plate ABS, Cover Polycarbonate

Weight

0.7 lb. (320g) without cable
1.4 lb. (650g) with cable

Size

5.16"W x 2.87"H x 3.86"D
131mmW x 73mmH x 98mmD

SPECIFICATIONS

Model

HR-Robus

Frequency

24.150 - 24.250 GHz (K-Band)

Detection Method

Doppler Shift Radar

Detection Pattern

Selectable, via tilt angle and mounting height

Detection Angle

Adjustable, in 15° increments

Directionality

Selectable, Unidirectional or Bidirectional

Range

Adjustable (via tilt angle, programming, and mounting height)

Max. Mounting Height

23' (7m)

Power Requirements

12 to 28V AC or 12 to 36VDC

Current Consumption

50mA @ 24V DC

Power Consumption

<1W

Relay Outputs

Vehicle Relay Output, N.O./N.C.
Pedestrian Relay Output, N.O./N.C.

Hold Time

Adjustable, 0.5 to 300 Seconds

Temperature

-22°F to 140°F (-30°C to 60°C)



Optional Robus-RC Remote Control

HR-Robus Industrial Door Microwave Motion Sensor



ENGINEERED FOR MOTION

APPLICABLE STANDARDS

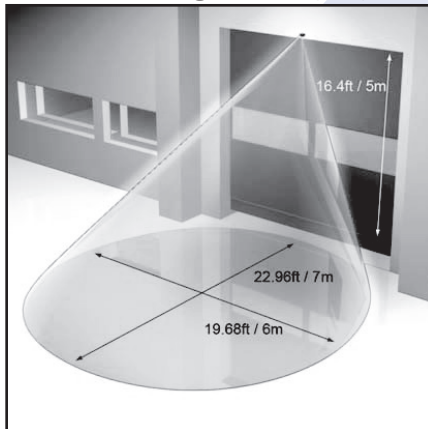
American National Standards Institute (ANSI) - Building Hardware Manufacturer's Association (BHMA) - ANSI/BHMA A156.10.

APPROVALS

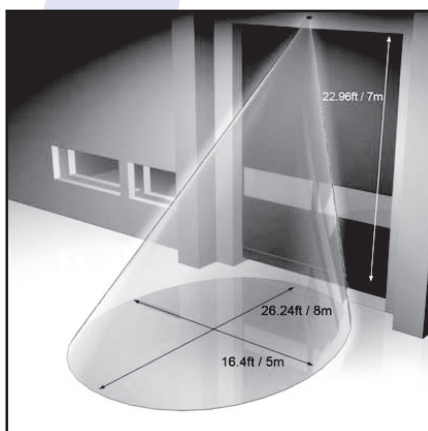
FCC, CE, IC

Detection Area

Installation Height 16.4' (5m)



Installation Height 22.96' (7m)



Availability & Cost

AVAILABILITY

Available internationally from manufacturer's authorized distributors; contact MS SEDCO for the location of nearest distributor.

COST

Cost information on MS SEDCO products is available from the manufacturer's distributors.

Warranty

A three year warranty is available from the manufacturer covering defects in materials and workmanship. Contact MS SEDCO for details.

Technical Services

MS SEDCO's staff of factory trained sales and service personnel offer design assistance and technical support. Local distributors are also available to assist in selecting appropriate devices for specific uses and to provide onsite installation.



#59-H (Blue Background with White Legend)



#59-P (Stainless Steel with Black Legend)



#59-HSS (Stainless Steel with Blue Legend)



#59-W (Blue Background with White Legend)



#59-WSS (Stainless Steel with Blue Legend)

NOT SHOWN

#59-Plain (Stainless Steel with No Legend)

Product Name

Sedco 59 Series

4 1/2" Square Push Plate Switches

Contact Information

MS SEDCO
7898 Zionsville Road
Indianapolis, IN 46268
Phone: (317) 842-2545
www.mssedco.com

Product Description

BASIC USE

The 59 Series push plate switches are designed to provide reliable activation of any automatic door.

The 59 Series features 4" square face plates in either stainless steel or blue powder coated aluminum with etched and paint filled legends. A 4 1/2" square formed stainless steel back plate eliminates possible wall damage from standard use.

Designed as a universal switch, the 59 Series fit single-gang or 2-gang electrical boxes with no adapters necessary. A surface mount box is also available.

Each unit is built utilizing heavy gauge stainless steel, aircraft quality rivets and screws, durable finishes and the most reliable microswitch in the industry.

Technical Data

- 4" x 4" All Active Face Plate
- 4 1/2" x 4 1/2" Formed Stainless Steel Back Plate
- UL Listed "Cherry Switch", SPDT, Mom., 15 Amp @ 125V AC
- Rubber "Bellows" Increases Weather Protection (included)

- Fits single or 2-gang Electrical Box or MS SEDCO Surface Mount Box
- Special Finishes: US3, US4, US10, US10B, US32
- Radio Control Versions Available



ClearPath™ Radio Control Switches solve problems caused by interference and stray signals — and are guaranteed to work where others won't.

DIMENSIONS

See Reverse

APPLICABLE STANDARDS

American National Standards Institute (ANSI) - Building Hardware Manufacturers Association (BHMA) - ANSI/BHMA A156.10 & A156.19.

APPROVALS

UL (Micro-Switch)

Installation

The 59 Series Switch is easy to install.

Hardwired Applications:

Mount to a standard single or 2-gang electrical box at the desired wall location. Remove the face plate from the switch assembly. Connect the necessary signal wires to the appropriate switch contacts (COM & N.O. are standard). Secure the switch assembly to the electrical box and reattach the face plate.

Sedco 59 Series 4 1/2" Square Push Plate Switches



ENGINEERED FOR MOTION

Installation (continued)

Wireless Applications:

Mount a ClearPath™ transmitter and surface mounting box in the desired location. Program the transmitter and connect the wire leads to the COM and N.O. switch contacts. Attach the wall switch assembly to the surface box and reattach the face plate.

Custom Applications:

The 59 Series Switches can be customized in a variety of ways. Virtually any legend can be placed on the face plate as well as custom colors or finishes. Contact the factory for pricing.

Availability & Cost

AVAILABILITY

Available internationally from manufacturer's authorized distributors; contact MS SEDCO for the location of nearest distributor.

COST

Cost information on MS SEDCO products is available from the manufacturer's authorized distributors.

Warranty

MS SEDCO, Inc. guarantees this product to be free from manufacturing defects for three years from date of installation. Unless MS SEDCO is notified of the date of installation, the warranty will be in effect for three years from the date of shipment from our factory. If, during the first three years, this product fails to operate and has not been tampered with or abused, the unit can be returned prepaid to the factory and be

repaired free of charge. After three years, the unit will be repaired for a nominal service charge. **Limited warranty is in lieu of all other warranties, expressed or implied, including any implied warrantability of merchantability. No representative or person is authorized to assume for MS SEDCO any other liability in connection with the sale of our products. All warranties are limited to the duration of this written limited warranty. In no event shall MS SEDCO be liable for any special, incidental, consequential or other damage arising from any unclaimed breach of warranty as to its products or services.**

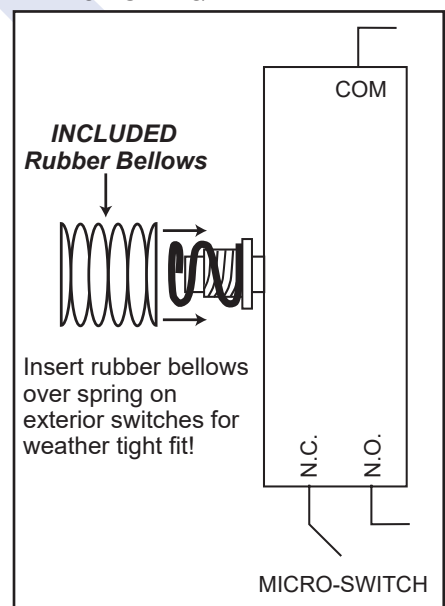
Maintenance

MS SEDCO recommends that all maintenance and adjustments be performed by an AAADM Certified Technician.

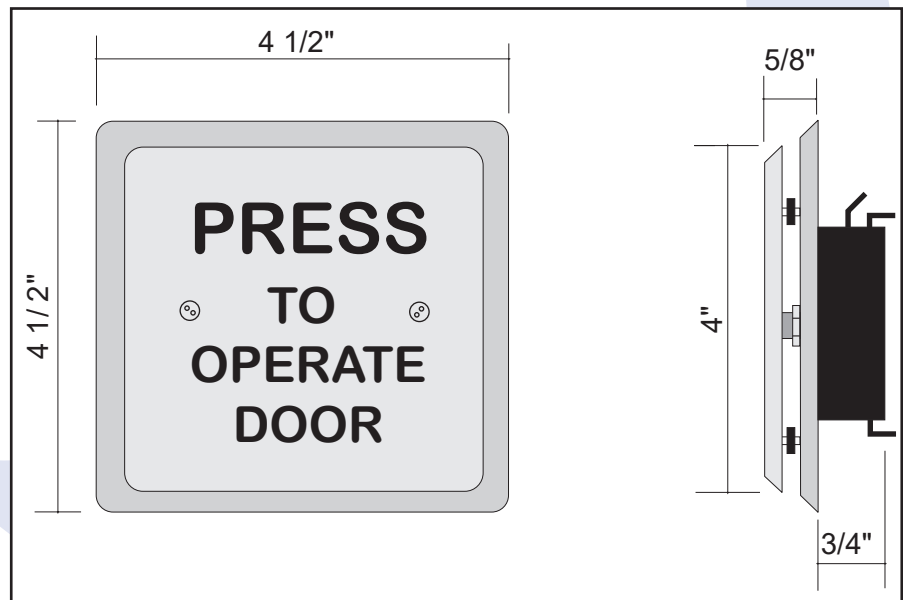
Technical Services

MS SEDCO's staff of factory trained sales and service personnel offer design assistance and technical support. Local distributors are also available to assist in selecting appropriate devices for specific uses and to provide onsite installation.

BELLOWS DIAGRAM



DIMENSIONS



012018



ENGINEERED FOR MOTION

Sedco 59R4 Series 4 1/2" Round Push Plate Switches



#59R4-H (Blue Background with White Legend)



#59R4-P (Stainless Steel with Black Legend)



#59R4-HSS (Stainless Steel with Blue Legend)

NOT SHOWN

#59R4-W (Blue Background with White Wheelchair)

#59R4-WSS (Stainless Steel with Blue Wheelchair)

#59R4-Plain (Stainless Steel with No Legend)

Product Name

Sedco 59R4 Series

4 1/2" Round Push Plate Switches

Contact Information

MS SEDCO
7898 Zionsville Road
Indianapolis, IN 46268
Phone: (317) 842-2545
www.mssedco.com

Product Description

BASIC USE

The 59R4 Series push plate switches are designed to provide reliable activation of any automatic door.

The 59R4 Series features 4" round face plates in either stainless steel or blue powder coated aluminum with etched and paint filled legends. A 4 1/2" diameter formed stainless steel back plate eliminates possible wall damage from standard use.

Designed as a universal switch, the 59R4 Series fits single-gang electrical boxes with no adapters necessary. A surface mount box is also available.

Each unit is built utilizing heavy gauge stainless steel, aircraft quality rivets and screws, durable finishes and the most reliable microswitch in the industry.

Technical Data

- 4" Round All Active Face Plate
- 4 1/2" Diameter Formed Stainless Steel Back Plate
- UL Listed "Cherry Switch", SPDT, Mom. , 15 Amp @ 125V AC

- Rubber "Bellows" Increases Weather Protection (included)
- Fits Single-gang Electrical Box or MS SEDCO Surface Mount Box
- Radio Control Versions Available

ClearPath

ClearPath™ Radio Control Switches solve problems caused by interference and stray signals — and are guaranteed to work where others won't.

DIMENSIONS

See Reverse

APPLICABLE STANDARDS

American National Standards Institute (ANSI) - Building Hardware Manufacturers Association (BHMA) - ANSI/BHMA A156.10 & A156.19.

APPROVALS

UL (Micro-Switch)

Installation

The 59R4 Series Switch is easy to install.

Hardwired Applications:

Mount to a standard single-gang electrical box at the desired wall location. Remove the face plate from the switch assembly. Connect the necessary signal wires to the appropriate switch contacts (COM & N.O. are standard). Secure the switch assembly to the electrical box and reattach the face plate.

Sedco 59R4 Series

4 1/2" Round

Push Plate Switches



ENGINEERED FOR MOTION

Installation (continued)

Wireless Applications:

Mount a ClearPath™ transmitter and surface mounting box in the desired location. Program the transmitter and connect the wire leads to the COM and N.O. switch contacts. Attach the wall switch assembly to the surface box and reattach the face plate.

Custom Applications:

The 59R4 Series Switches can be customized in a variety of ways. Virtually any legend can be placed on the face plate as well as custom colors or finishes. Contact the factory for pricing.

Availability & Cost

AVAILABILITY

Available internationally from manufacturer's authorized distributors; contact MS SEDCO for location of nearest distributor.

COST

Cost information on MS SEDCO products is available from the manufacturer's authorized distributors.

Warranty

MS SEDCO, Inc. guarantees this product to be free from manufacturing defects for three years from date of installation. Unless MS SEDCO is notified of the date of installation, the warranty will be in effect for three years from the date of shipment from our factory. If, during the first three years, this product fails to operate and has not been tampered with or abused, the unit can be returned prepaid to the

factory and be repaired free of charge. After three years, the unit will be repaired for a nominal **service charge. Limited warranty is in lieu of all other warranties, expressed or implied, including any implied warrantability of merchantability. No representative or person is authorized to assume for MS SEDCO any other liability in connection with the sale of our products. All warranties are limited to the duration of this written limited warranty. In no event shall MS SEDCO be liable for any special, incidental, consequential or other damage arising from any unclaimed breach of warranty as to its products or services.**

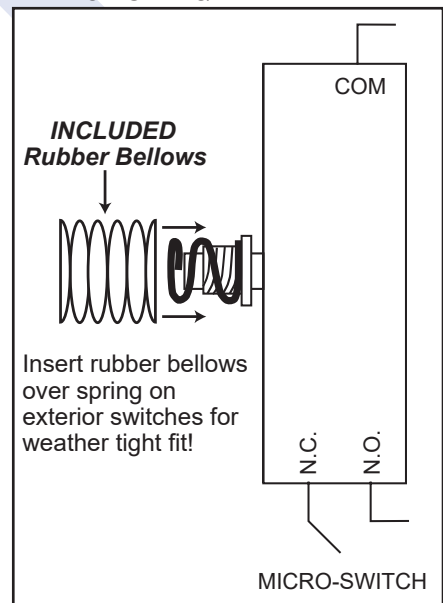
Maintenance

MS SEDCO recommends that all maintenance and adjustments be performed by an AAADM Certified Technician.

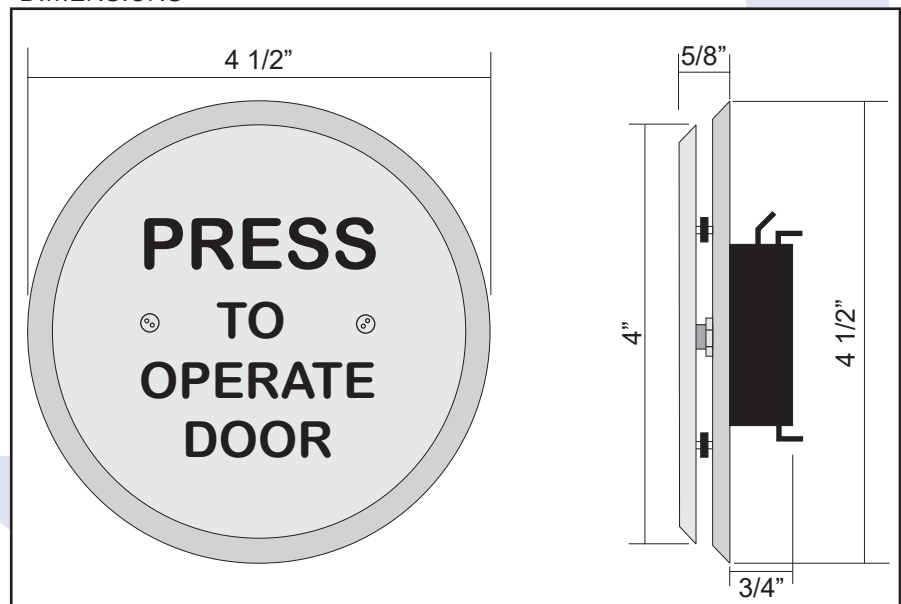
Technical Services

MS SEDCO's staff of factory trained sales and service personnel offer design assistance and technical support. Local distributors are also available to assist in selecting appropriate devices for specific uses and to provide onsite installation.

BELLOWS DIAGRAM



DIMENSIONS



012018



ENGINEERED FOR MOTION

Sedco 59R6 Series 6" Round Push Plate Switches



#59R6-H (Blue Background with White Legend)



#59R6-P (Stainless Steel with Black Legend)



#59R6-HSS (Stainless Steel with Blue Legend)

NOT SHOWN

#59R6-W (Blue Background with White Wheelchair)

#59R6-WSS (Stainless Steel with Blue Wheelchair)

#59R6-Plain (Stainless Steel with No Legend)

Product Name Sedco 59R6 Series

6" Round Push Plate Switches

Contact Information

MS SEDCO
7898 Zionsville Road
Indianapolis, IN 46268
Phone: (317) 842-2545
www.mssedco.com

Product Description

BASIC USE

The 59R6 Series push plate switches are designed to provide reliable activation of any automatic door.

The 59R6 Series features 5 1/2" round face plates in either stainless steel or blue powder coated aluminum with etched and paint filled legends. A 6" diameter formed stainless steel back plate eliminates possible wall damage from standard use.

Designed as a universal switch, the 59R6 Series fit single-gang or 2-gang electrical boxes with no adapters necessary. A surface mount box is also available.

Each unit is built utilizing heavy gauge stainless steel, aircraft quality rivets and screws, durable finishes and the most reliable microswitch in the industry.

Technical Data

- 5 1/2" Round All Active Face Plate
- 6" Diameter Formed Stainless Steel Back Plate
- UL Listed "Cherry Switch", SPDT, Mom. , 15 Amp @ 125V AC

- Rubber "Bellows" Increases Weather Protection (included)
- Fits Single or 2-gang Electrical Box or MS SEDCO Surface Mount Box
- Radio Control Versions Available

ClearPath

ClearPath™ Radio Control Switches solve problems caused by interference and stray signals — and are guaranteed to work where others won't.

DIMENSIONS

See Reverse

APPLICABLE STANDARDS

American National Standards Institute (ANSI) - Building Hardware Manufacturers Association (BHMA) - ANSI/BHMA A156.10 & A156.19.

APPROVALS

UL (Micro-Switch)

Installation

The 59R6 Series Switch is easy to install.

Hardwired Applications:

Mount to a standard single or 2-gang electrical box at the desired wall location. Remove the face plate from the switch assembly. Connect the necessary signal wires to the appropriate switch contacts (COM & N.O. are standard). Secure the switch assembly to the electrical box and reattach the face plate.

Sedco 59R6 Series

6" Round

Push Plate Switches



ENGINEERED FOR MOTION

Installation (continued)

Wireless Applications:

Mount a ClearPath™ transmitter and surface mounting box in the desired location. Program the transmitter and connect the wire leads to the COM and N.O. switch contacts. Attach the wall switch assembly to the surface box and reattach the face plate.

Custom Applications:

The 59R6 Series Switches can be customized in a variety of ways. Virtually any legend can be placed on the face plate as well as custom colors or finishes. Contact the factory for pricing.

Availability & Cost

AVAILABILITY

Available internationally from manufacturer's authorized distributors; contact MS SEDCO for location of nearest distributor.

COST

Cost information on MS SEDCO products is available from the manufacturer's authorized distributors.

Warranty

MS SEDCO, Inc. guarantees this product to be free from manufacturing defects for three years from date of installation. Unless MS SEDCO is notified of the date of installation, the warranty will be in effect for three years from the date of shipment from our factory. If, during the first three years, this product fails to operate and has not been tampered with or abused, the unit can be returned prepaid to the

factory and be repaired free of charge. After three years, the unit will be repaired for a nominal **service charge. Limited warranty is in lieu of all other warranties, expressed or implied, including any implied warrantability of merchantability. No representative or person is authorized to assume for MS SEDCO any other liability in connection with the sale of our products. All warranties are limited to the duration of this written limited warranty. In no event shall MS SEDCO be liable for any special, incidental, consequential or other damage arising from any unclaimed breach of warranty as to its products or services.**

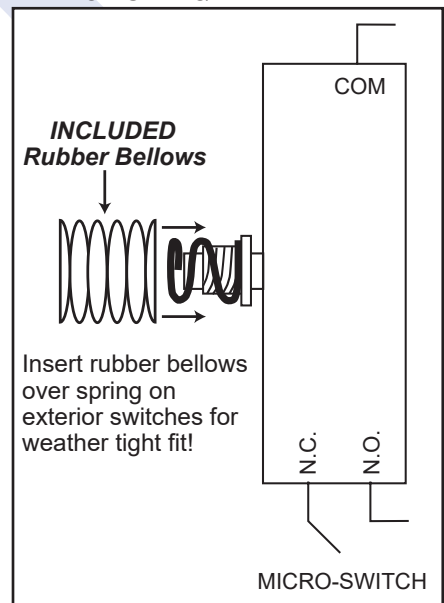
Maintenance

MS SEDCO recommends that all maintenance and adjustments be performed by an AAADM Certified Technician.

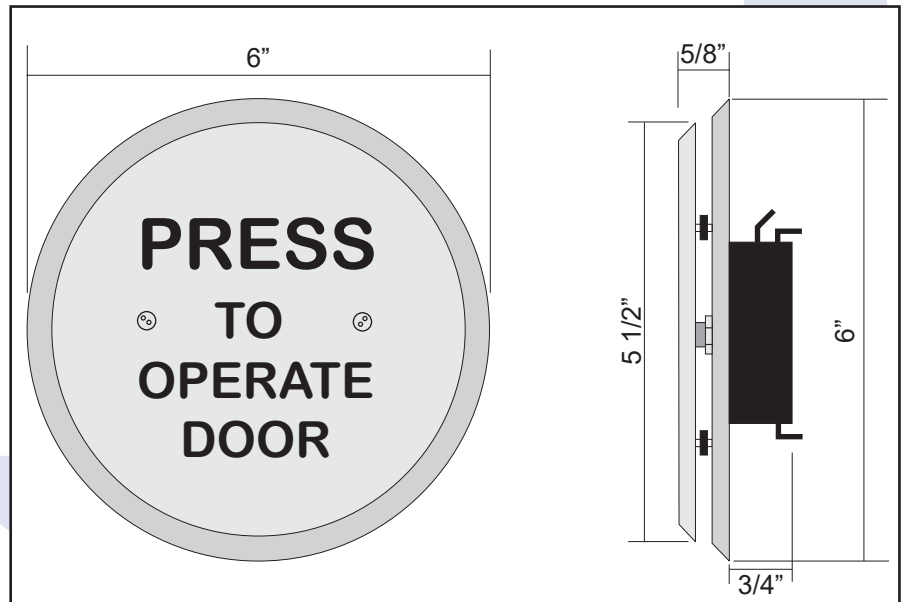
Technical Services

MS SEDCO's staff of factory trained sales and service personnel offer design assistance and technical support. Local distributors are also available to assist in selecting appropriate devices for specific uses and to provide onsite installation.

BELLOWS DIAGRAM



DIMENSIONS



012018



ENGINEERED FOR MOTION

Sedco 59J Series Jamb Style Push Plate Switches



#59J-H (Blue Background with White Legend)



#59J-P (Stainless Steel with Black Legend)



#59J-HSS (Stainless Steel with Blue Legend)



#59J-W (Blue Background with White Legend)



#59J-WSS (Stainless Steel with Blue Legend)

NOT SHOWN

#59J-Plain (Stainless Steel with No Legend)

Product Name Sedco 59J Series

Jamb Style Push Plate Switches

Contact Information

MS SEDCO
7898 Zionsville Road
Indianapolis, IN 46268
Phone: (317) 842-2545
www.mssedco.com

Product Description

BASIC USE

The 59J Series jamb style switches are designed to provide reliable, unobtrusive activation of any automatic door.

The 59J Series features 1 1/2" x 4 1/4" face plates in either stainless steel or blue powder coated aluminum with etched and paint filled legends. A formed stainless steel back plate eliminates possible wall damage from standard use.

Mount the 59J Series directly onto the jamb of an automatic door (fits a 1 3/4" frame) or in MS SEDCO's optional surface mount box.

Each unit is built utilizing heavy gauge stainless steel, aircraft quality rivets and screws, durable finishes and the most reliable microswitch in the industry.

Technical Data

- 1 1/2" x 4 1/4" All Active Face Plate
- 1 11/16" x 4 1/2" Formed Stainless Steel Back Plate
- UL Listed "Cherry Switch", SPDT, Mom. , 15 Amp @ 125V AC

- Rubber "Bellows" Increases Weather Protection (included)
- Fits 1 3/4" Frame or MS SEDCO Surface Mount Box
- Special Finishes: US3, US4, US10, US10B, US32
- Radio Control Versions Available

ClearPath

ClearPath™ Radio Control Switches solve problems caused by interference and stray signals — and are guaranteed to work where others won't.

DIMENSIONS

See Reverse

APPLICABLE STANDARDS

American National Standards Institute (ANSI) - Building Hardware Manufacturers Association (BHMA) - ANSI/BHMA A156.10 & A156.19.

APPROVALS

UL (Micro-Switch)

Installation

The 59J Series Jamb Style Switch is easy to install.

Hardwired Applications:

Using the mounting template provided, make cutout in the door frame. Remove the face plate from the switch assembly. Connect the necessary signal wires to the appropriate switch contacts (COM & N.O. are standard). Secure the switch assembly to the door frame and reattach the face plate.

012018

Sedco 59J Series

Jamb Style

Push Plate Switches



ENGINEERED FOR MOTION

Installation (continued)

Wireless Applications:

Mount a ClearPath™ transmitter and surface mounting box in the desired location. Program the transmitter and connect the wire leads to the COM and N.O. switch contacts. Attach the wall switch assembly to the surface box and reattach the face plate.

Custom Applications:

The 59J Series Jamb Switches can be customized in a variety of ways. Virtually any legend can be placed on the face plate as well as custom colors or finishes. Contact the factory for pricing.

Availability & Cost

AVAILABILITY

Available internationally from manufacturer's authorized distributors; contact MS SEDCO for location of nearest distributor.

COST

Cost information on MS SEDCO products is available from the manufacturer's authorized distributors.

Warranty

MS SEDCO, Inc. guarantees this product to be free from manufacturing defects for three years from date of installation. Unless MS SEDCO is notified of the date of installation, the warranty will be in effect for three years from the date of shipment from our factory. If, during the first three years, this product fails to operate and has not been tampered with or abused, the unit can be returned prepaid to the

factory and be repaired free of charge. After three years, the unit will be repaired for a nominal **service charge. Limited warranty is in lieu of all other warranties, expressed or implied, including any implied warrantability of merchantability. No representative or person is authorized to assume for MS SEDCO any other liability in connection with the sale of our products. All warranties are limited to the duration of this written limited warranty. In no event shall MS SEDCO be liable for any special, incidental, consequential or other damage arising from any unclaimed breach of warranty as to its products or services.**

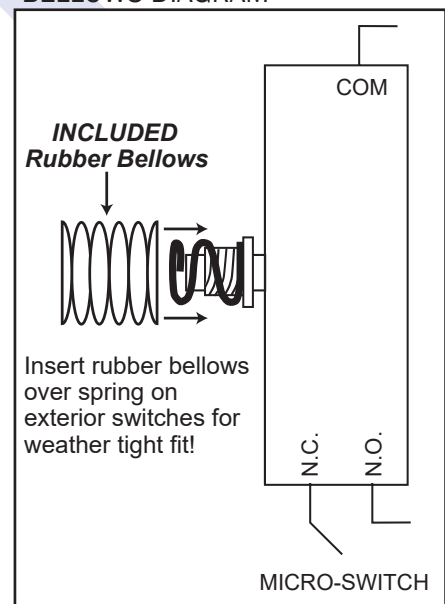
Maintenance

MS SEDCO recommends that all maintenance and adjustments be performed by an AAADM Certified Technician.

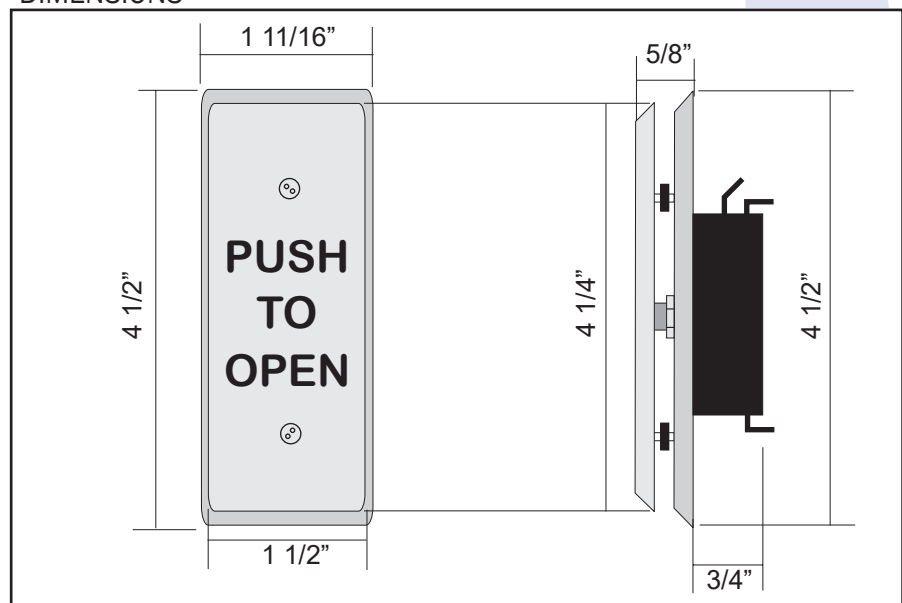
Technical Services

MS SEDCO's staff of factory trained sales and service personnel offer design assistance and technical support. Local distributors are also available to assist in selecting appropriate devices for specific uses and to provide onsite installation.

BELLOWS DIAGRAM



DIMENSIONS



012018

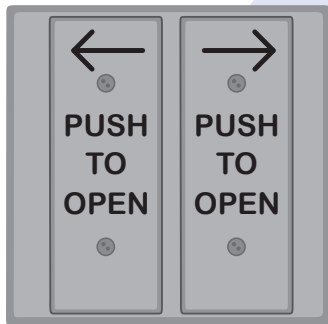


ENGINEERED FOR MOTION

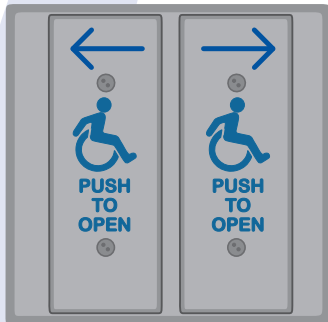
Sedco 59V Series Vestibule Push Plate Switches



#59V-H (Blue Background with White Legend)



#59V-P (Stainless Steel with Black Legend)



#59V-HSS (Stainless Steel with Blue Legend)

NOT SHOWN

#59V-W (Blue Background with White Wheelchair)

#59V-WSS (Stainless Steel with Blue Wheelchair)

#59V-Plain (Stainless Steel with No Legend)

Product Name Sedco 59V Series

Vestibule Push Plate Switches

Contact Information

MS SEDCO
7898 Zionsville Road
Indianapolis, IN 46268
Phone: (317) 842-2545
www.mssedco.com

Product Description

BASIC USE

The 59V Series vestibule push plate switches are designed to provide reliable activation of any pair of automatic doors from inside a building vestibule.

The 59V Series vestibule switches feature two separate face plates that will allow for independent activation of two automatic doors. Both face plates are integrated onto a single 4 1/2" x 4 1/2" formed stainless steel back plate that will fit a 2-gang electrical box or MS SEDCO's optional surface mount box.

Each unit is built utilizing heavy gauge stainless steel, aircraft quality rivets and screws, durable finishes and the most reliable microswitch in the industry.

Technical Data

- 2—1 1/2" x 4 1/4" All Active Face Plates
- 4 1/2" x 4 1/2" Formed Stainless Steel Back Plate
- 2—UL Listed "Cherry Switch", SPDT, Mom., 15 Amp @ 125V AC
- Rubber "Bellows" Increases Weather Protection (included)

- Fits 2-gang Electrical Box or MS SEDCO Surface Mount Box
- Special Finishes: US3, US4, US10, US10B, US32
- Radio Control Versions Available

ClearPath

ClearPath™ Radio Control Switches solve problems caused by interference and stray signals — and are guaranteed to work where others won't.

DIMENSIONS

See Reverse

APPLICABLE STANDARDS

American National Standards Institute (ANSI) - Building Hardware Manufacturers Association (BHMA) - ANSI/BHMA A156.10 & A156.19.

APPROVALS

UL (Micro-Switch)

Installation

The 59V Series Vestibule Switch is easy to install.

Hardwired Applications:

Mount a standard 2-gang electrical box at the desired wall location. Remove both face plates from the switch assembly. Connect the necessary signal wires to the appropriate switch contacts (COM & N.O. are standard). Secure the switch assembly to the door frame and reattach the face plates.

012018

Sedco 59V Series Vestibule Push Plate Switches



ENGINEERED FOR MOTION

Installation (continued)

Wireless Applications:

Mount a ClearPath™ transmitter and surface mounting box in the desired location. Program the transmitter and connect the wire leads to the COM and N.O. switch contacts. Attach the wall switch assembly to the surface box and reattach the face plate.

Custom Applications:

The 59V Series Vestibule Switches can be customized in a variety of ways. Virtually any legend can be placed on the face plate as well as custom colors or finishes. Contact the factory for pricing.

Availability & Cost

AVAILABILITY

Available internationally from manufacturer's authorized distributors; contact MS SEDCO for location of nearest distributor.

COST

Cost information on MS SEDCO products is available from the manufacturer's authorized distributors.

Warranty

MS SEDCO, Inc. guarantees this product to be free from manufacturing defects for three years from date of installation. Unless MS SEDCO is notified of the date of installation, the warranty will be in effect for three years from the date of shipment from our factory. If, during the first three years, this product fails to operate and has not been tampered with or abused, the unit can be returned prepaid to the

factory and be repaired free of charge. After three years, the unit will be repaired for a nominal **service charge. Limited warranty is in lieu of all other warranties, expressed or implied, including any implied warrantability of merchantability. No representative or person is authorized to assume for MS SEDCO any other liability in connection with the sale of our products. All warranties are limited to the duration of this written limited warranty. In no event shall MS SEDCO be liable for any special, incidental, consequential or other damage arising from any unclaimed breach of warranty as to its products or services.**

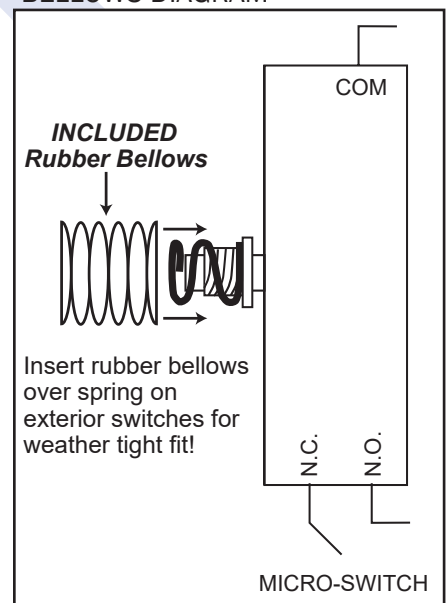
Maintenance

MS SEDCO recommends that all maintenance and adjustments be performed by an AAADM Certified Technician.

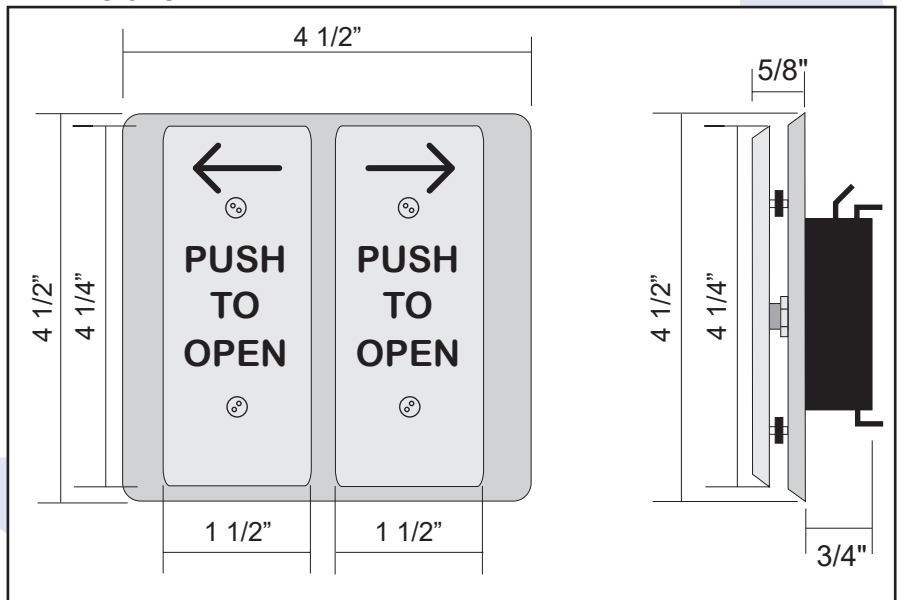
Technical Services

MS SEDCO's staff of factory trained sales and service personnel offer design assistance and technical support. Local distributors are also available to assist in selecting appropriate devices for specific uses and to provide onsite installation.

BELLOWS DIAGRAM



DIMENSIONS



012018



#425B-BLK
(Blue Powder Coat
Face Plate, Black
Button Switch)



#425SS-BLK
(Stainless Steel
Face Plate, Black
Button Switch)



#425B-RED
(Blue Powder Coat
Face Plate, Red
Button Switch)



#425SS-RED
(Stainless Steel
Face Plate, Red
Button Switch)



1½" Self-Sticking Mylar Face Plate Decal
(Blue Background/White Legend)



Product Name

425 Series

Jamb Style Push Plate Switches

Contact Information

MS SEDCO
7898 Zionsville Road
Indianapolis, IN 46268
Phone: (317) 842-2545
www.mssedco.com

Product Description

BASIC USE

The 425 Series jamb style switches are designed to provide reliable, unobtrusive activation of any automatic door.

The 425 Series features 1 11/16" x 4 1/2" face plates in either stainless steel or blue powder coated aluminum. They include self-sticking mylar labels for customizing the face plate.

Mount the 425 Series directly onto the jamb of an automatic door (fits a 1 3/4" frame) or in MS SEDCO's optional surface mount box.

Each unit is built utilizing heavy gauge metals, aircraft quality rivets and screws, durable finishes and the most reliable microswitch in the industry.

Technical Data

- 1 11/16" x 4 1/2" Face Plates in Stainless Steel or Blue Powder Coated Aluminum
- 1" Diameter Button Switch (Black or Red)
- UL Listed Micro Switch, SPDT, Mom., 15 Amp @ 125V AC

- Fits 1 3/4" Frame or MS SEDCO #1106 Surface Mounting Box
- Includes Self-Sticking Mylar Face Plate Labels

DIMENSIONS

See Reverse

APPLICABLE STANDARDS

American National Standards Institute (ANSI) - Building Hardware Manufacturers Association (BHMA) - ANSI/BHMA A156.10 & A156.19.

APPROVALS

UL (Micro-Switch)

Installation

The 425 Series Jamb Style Button Switch is easy to install.

Using the mounting template provided, make cutout in the door frame. Connect the necessary signal wires to the appropriate switch contacts (COM and N.O. are standard). Secure the switch assembly to the door frame and attach the face plate. Apply desired face plate label.

Availability & Cost

AVAILABILITY

Available internationally from manufacturer's authorized distributors; contact MS SEDCO for the location of nearest distributor.

425 Series Jamb Style Push Plate Switches



ENGINEERED FOR MOTION

COST

Cost information on MS SEDCO products is available from the manufacturer's authorized distributors.

Warranty

MS SEDCO, Inc. guarantees this product to be free from manufacturing defects for one year from date of installation. Unless MS SEDCO is notified of the date of installation, the warranty will be in effect for one year from the date of shipment from our factory. If, during the first year, this product fails to operate and has not been tampered with or abused, the unit can be returned prepaid to the factory and be repaired free of charge. After one year, the unit will be repaired for a nominal service charge. **Limited warranty is in lieu of all other warranties, expressed or implied, including any implied warrantability of merchantability.** No representative or person is authorized to assume for MS SEDCO any other liability in connection with the sale of our products. All warranties are limited to the duration of this written limited warranty. In no event shall MS SEDCO be liable for any special, incidental, consequential or other damage arising from any unclaimed breach of warranty as to its products or services.

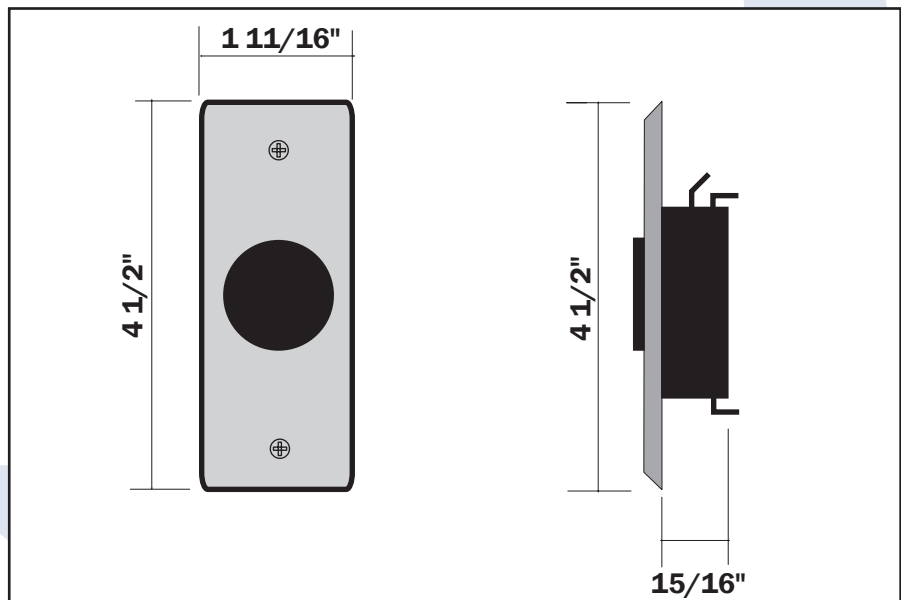
Maintenance

MS SEDCO recommends that all maintenance and adjustments be performed by an AAADM Certified Technician.

Technical Services

MS SEDCO's staff of factory trained sales and service personnel offer design assistance and technical support. Local distributors are also available to assist in selecting appropriate devices for specific uses and to provide onsite installation.

DIMENSIONS



072017



ENGINEERED FOR MOTION

1078 Series

4 1/2" Square Low Profile Push Plate Switches



#1078-H (Anodized Blue Aluminum Face Plate with Engraved Legend)



#1078-P (Anodized Black Aluminum Face Plate with Engraved Legend)

provide reliable activation of any automatic door.

The 1078 Series features a 4 1/2" square formed stainless steel back plate with a 2" x 3" active face plate mounted flush within the backplate. Designed to be low profile, the 1078 projects only 1/4" from the wall. They fit a 2-gang electrical box with no adapter necessary. A surface mount box is also available.

Each unit is built utilizing heavy gauge stainless steel, aircraft quality screws, durable finishes and the most reliable microswitch in the industry.

Technical Data

- 2" x 3" All Active Face Plate
- 4 1/2" x 4 1/2" Formed Stainless Steel Back Plate
- 1/4" Projection From Wall
- UL Listed "Cherry Switch", SPDT, Mom., 15 Amp @ 125V AC
- Fits 2-gang Electrical Box or MS SEDCO #1015 Surface Mount Box
- Radio Control Versions Available

Institute (ANSI) - Building Hardware Manufacturers Association (BHMA) - ANSI/BHMA A156.10 & A156.19.

APPROVALS
UL (Micro-Switch)

Installation

The 1078 Series low profile switch is easy to install.

Hardwired Applications:

Mount a standard 2-gang electrical box at the desired location. Connect the necessary signal wires to the appropriate switch contacts (COM and N.O. are standard). Secure the switch to the electrical box.

Wireless Applications:

Mount a ClearPath™ transmitter and surface mount box in the desired location. Program the desired security code and connect the transmitter wire leads to the COM and N.O. switch contacts. Attach the switch to the surface box.

Custom Applications:

The 1078 Series Switch can be customized in a variety of ways. Virtually any legend can be placed on the face plate as well as custom colors or finishes. Contact the factory for pricing.

Product Name

1078 Series

4 1/2" Square Low Profile Push Plate Switches

Contact Information

MS SEDCO
7898 Zionsville Road
Indianapolis, IN 46268
Phone: (317) 842-2545
www.mssedco.com

Product Description

BASIC USE

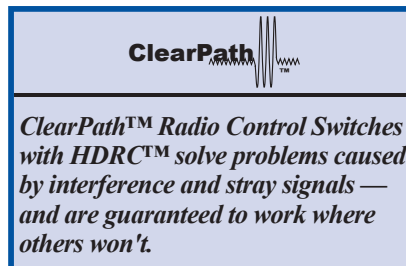
The 1078 Series low profile push plate switches are designed to

DIMENSIONS

See Reverse

APPLICABLE STANDARDS

American National Standards



Availability & Cost

AVAILABILITY

Available internationally from manufacturer's authorized distributors; contact MS SEDCO for the location of nearest distributor.

1078 Series 4 1/2" Square Low Profile Push Plate Switches



COST
Cost information on MS SEDCO products is available from the manufacturer's authorized distributors.

Warranty

MS SEDCO, Inc. guarantees this product to be free from manufacturing defects for three years from date of installation. Unless MS SEDCO is notified of the date of installation, the warranty will be in effect for three years from the date of shipment from our factory. If, during the first three years, this product fails to operate and has not been tampered with or abused, the unit can be returned prepaid to the factory and be repaired free of charge. After three years, the unit will be repaired for a nominal service charge. **Limited warranty is in lieu of all other warranties, expressed or implied, including any implied warrantability of merchantability, no representative or person is authorized to assume for MS SEDCO any other liability in connection with the sale of our products. All warranties are limited to the duration of this written limited warranty. In no event shall MS SEDCO be liable for any special, incidental, consequential or other damage arising from any unclaimed breach of warranty as to its products or services.**

Maintenance

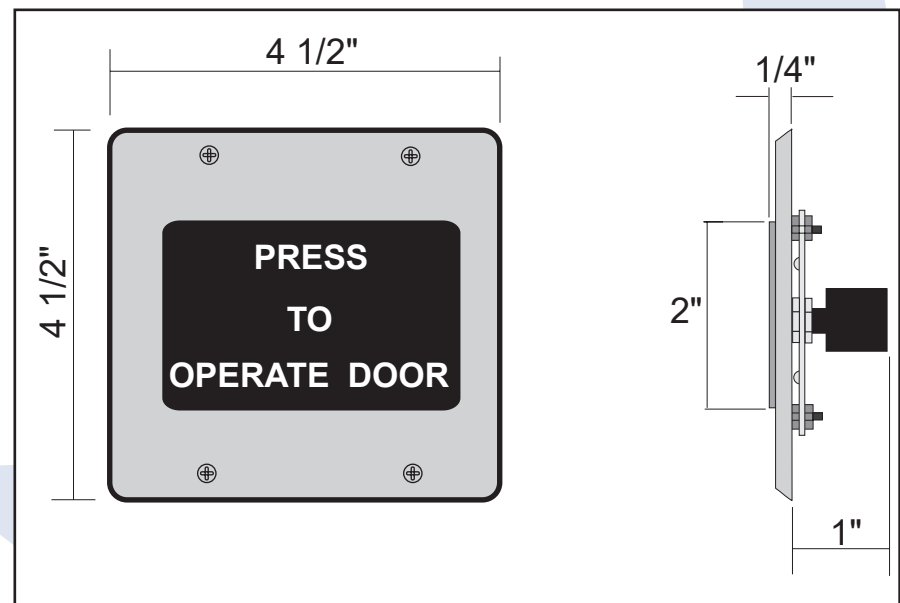
MS SEDCO recommends that all maintenance and adjustments be

performed by an AAADM Certified Technician.

Technical Services

MS SEDCO's staff of factory trained sales and service personnel offer design assistance and technical support. Local distributors are also available to assist in selecting appropriate devices for specific uses and to provide onsite installation.

DIMENSIONS

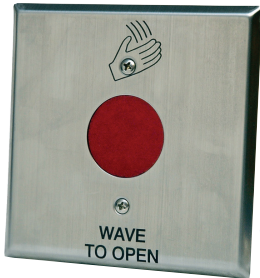


112017



ENGINEERED FOR MOTION

216 Series Infrared "Touchless" Door Activator Switches



#216



#216-L



#216-N



1½" Self-Sticking Mylar
Face Plate Decal
(Blue Background/
White Legend)

Product Name

216 Series

Infrared "Touchless" Door Activator
Switches

Contact Information

MS SEDCO
7898 Zionsville Road
Indianapolis, IN 46268
Phone: (317) 842-2545
www.mssedco.com

Product Description

BASIC USE

The 216 Series touchless switches are active infrared devices designed to activate full and low energy automatic doors.

Their hands free operation makes them ideal for ADA applications. Other applications include clean-room access points, request-to-exit devices (3 amp contact) and point-of-purchase displays. The 216 is microprocessor controlled allowing for superior operation in a smaller unit.

The 216 Series faceplates are available in three sizes.

Technical Data

- ADA Compliant Hands-Free Operation
- Faceplates Available in 3 Sizes and Various Finishes
- Microprocessor-Controlled Active Infrared
- Automatic Self-Changing ID Coding Eliminates Possible Electrical Interference
- Adjustable Reaction Time (0.05-1 Sec.)
- Digital Circuit Design
- 12 to 24V AC or DC Operation
- Form C Relay Output
- Heavy Duty 3 Amp Contact
- Selectable Failsafe
- Multiple Operating Modes

SPECIFICATIONS

Detection Method

Amplitude modulated, coded
carrier active infrared

Frequency Codes

Automatic self-changing

Avg. Radiated Power

Less than 18mW

Input Voltage

12V to 24V AC or DC, not polarity
sensitive

Input Current

Approx. 100mA @ 18V AC

Relay Contacts

Form C rated at 3 amps @ 24V DC
(resistive)

Relay Operation Modes

Normal or "fail-safe" (jumper
selectable)

Response Time

Less than 0.3 seconds

Reaction Time

Adjustable from 0.05 to 1 sec.

Operating Distance

6 in. to 2.5 ft.

Unit Size

1 5/16"W x 4"H x 1 1/4"D

Mounting Options

Single-gang, 2-gang or door jamb
mount

Face Plate Sizes

Fits Single-gang or 2-gang Box
(216)

4 1/2"W x 4 1/2"H

Fits Single-gang Box (216-L)

2 3/4"W x 4 1/2"H

Fits Door Jamb (216-N)

1 11/16"W x 4 1/2"H

Face Plate Finish

Standard: Brushed Stainless Steel
For Special Finishes Contact Factory

Temperature

-13° F to 140° F (-25° C to 60° C)

Recommended For Interior Use

072017

216 Series Infrared "Touchless" Door Activator Switches



ENGINEERED FOR MOTION

APPLICABLE STANDARDS

American National Standards Institute (ANSI) - Building Hardware Manufacturers Association (BHMA) - ANSI/BHMA A156.10 & A156.19.

devices for specific uses and to provide onsite installation

Installation

Refer to MS SEDCO Installation Instructions.

Availability & Cost

AVAILABILITY

Available internationally from manufacturer's authorized distributors; contact MS SEDCO for the location of the nearest distributor.

COST

Cost information on MS SEDCO products is available from the manufacturer's authorized distributors.

Warranty

A one year warranty is available from the manufacturer covering defects in materials and workmanship. Contact MS SEDCO for details.

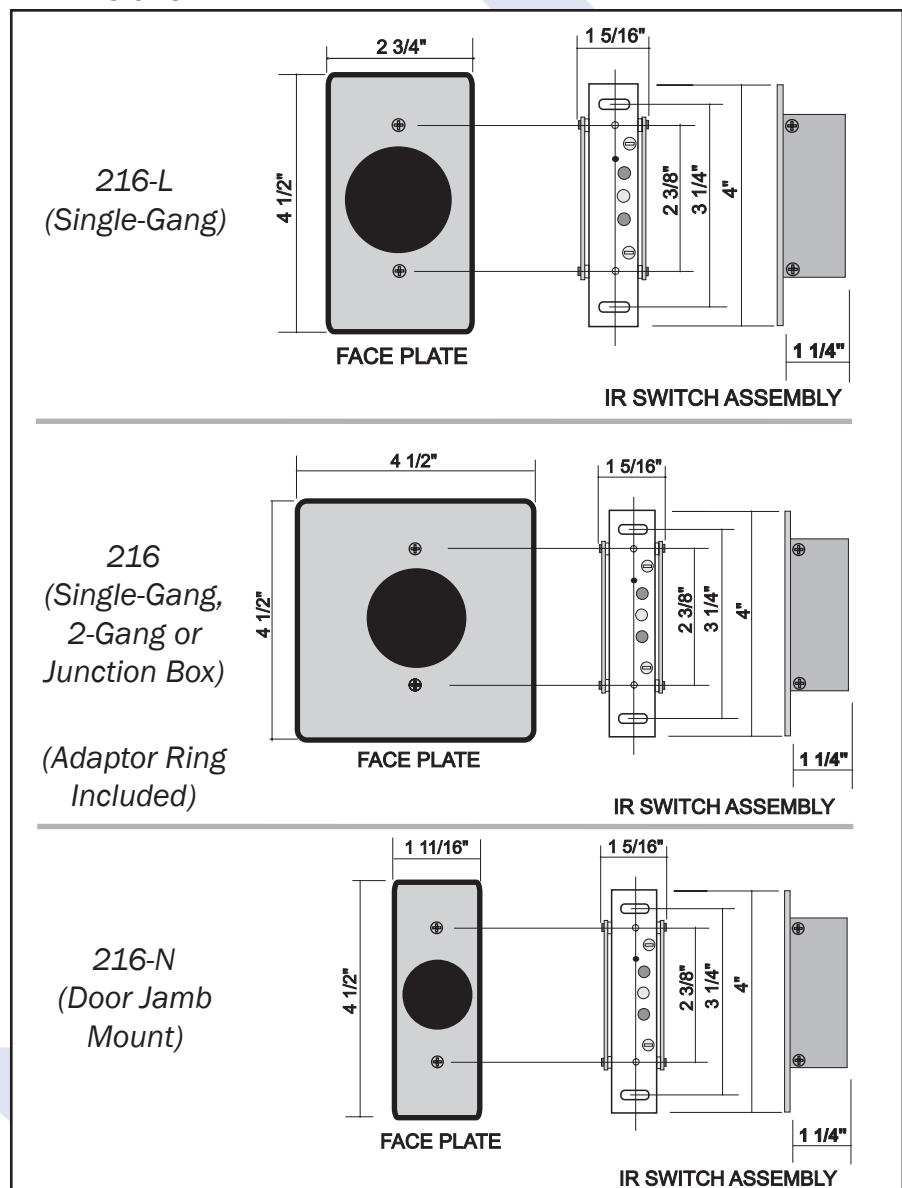
Maintenance

MS SEDCO recommends that all maintenance and adjustments be performed by an AAADM Certified Technician.

Technical Services

MS SEDCO's staff of factory trained sales and service personnel offer design assistance and technical support. Local distributors are also available to assist in selecting appropriate

DIMENSIONS



072017



ENGINEERED FOR MOTION

216TX Series Infrared Wireless Touchless Door Activator Switches



216TX-TG

Product Name

216TX Series

Infrared Wireless Touchless Door
Activator Switches

Contact Information

MS SEDCO
7898 Zionsville Road
Indianapolis, IN 46268
Phone: (317) 842-2545
www.mssedco.com

Product Description

BASIC USE

The 216TX Series wireless touchless switches are infrared devices designed to activate full and low energy automatic doors. The built-in wireless transmitter offers the added benefit of easy installation, requiring no wiring to the switch.

The hands free operation of the 216TX makes them ideal for ADA applications and locations where hygiene is important such as restrooms, health care facilities or cleanrooms. The 216TX is microprocessor controlled, allowing for superior operation in a smaller unit.

The 216TX has a 4 1/2" stainless steel faceplate and comes installed in the 1020 box complete with a transmitter.

Technical Data

- ADA Compliant Hands-Free, Germ-Free Operation
- Microprocessor-Controlled Active Infrared
- Digital Circuit Design
- Wireless Transmitter Features ClearPath™ Technology With Three User-selectable Frequency Settings (300 MHz, 390 MHz, HDRC™)
- FCC Licenses For All Three Frequency Settings
- SignalLock™ Guarantees Signal Transmission When Presence Is Detected
- Integrated Signal Radiating Antenna Boosts Signal Strength
- Compatible With Most 300 MHz, 390 MHz, and ClearPath™ CP/TX Receivers

Temperature

-4° F to 140° F (-20° C to 60° C)

APPLICABLE STANDARDS

American National Standards Institute (ANSI) - Building Hardware Manufacturers Association (BHMA) - ANSI/BHMA A156.10 & A156.19.

Installation

Refer to MS SEDCO Installation Instructions.

Availability & Cost

AVAILABILITY

Available internationally from manufacturer's authorized distributors; contact MS SEDCO for the location of the nearest distributor.

COST

Cost information on MS SEDCO products is available from the manufacturer's authorized distributors.

Warranty

A one year warranty is available from the manufacturer covering defects in materials and workmanship. Contact MS SEDCO for details.

Maintenance

MS SEDCO recommends that all maintenance and adjustments be performed by an AAADM Certified Technician.

Technical Services

MS SEDCO's staff of factory trained sales and service personnel offer design assistance and technical support. Local distributors are also available to assist in selecting appropriate devices for specific uses and to provide onsite installation

SPECIFICATIONS

Detection Method

Amplitude modulated, coded carrier active infrared

Avg. Radiated Power

Less than 5 mW/cm²

Input Voltage

216: 3.3 Volts DC Coin Cell Battery (CR2032)
TX: 9 Volt DC Battery

Response Time

<300 mSeconds

Operating Distance

±1 - 5 inches

Unit Size

4 3/4"W x 4 3/4"H x 2 1/4"D

Mounting Options

Includes wall mount box

Face Plate Sizes

4 1/2" square

Face Plate Finishes

Standard: Brushed Stainless Steel
For Special Finishes & Legends,
Contact Factory

072017

216TX Series Infrared Wireless Touchless Door Activator Switches



ENGINEERED FOR MOTION

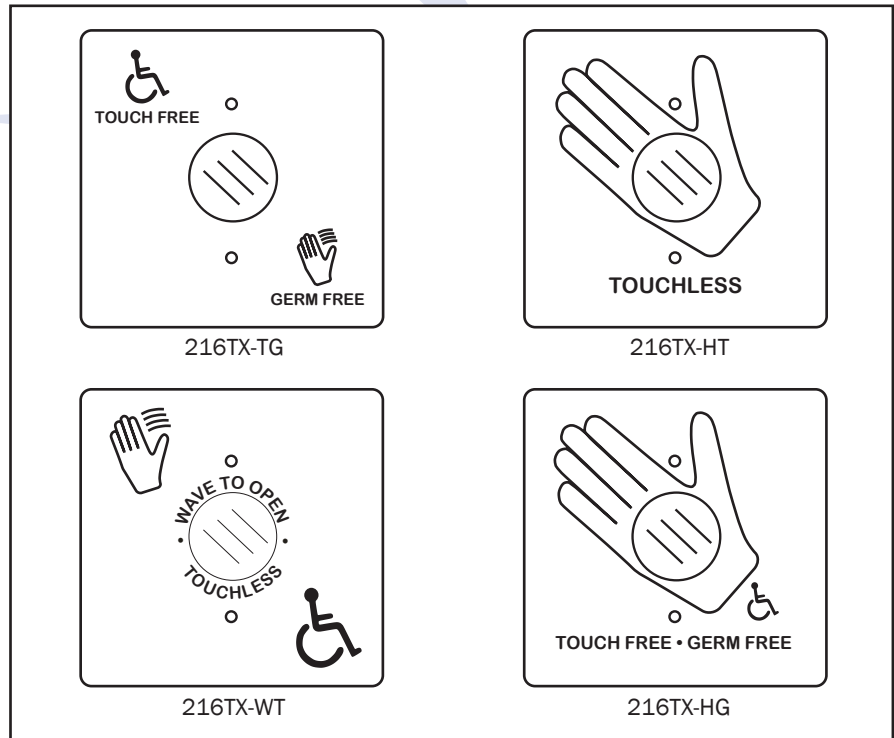
Maintenance

MS SEDCO recommends that all maintenance and adjustments be performed by an AAADM Certified Technician.

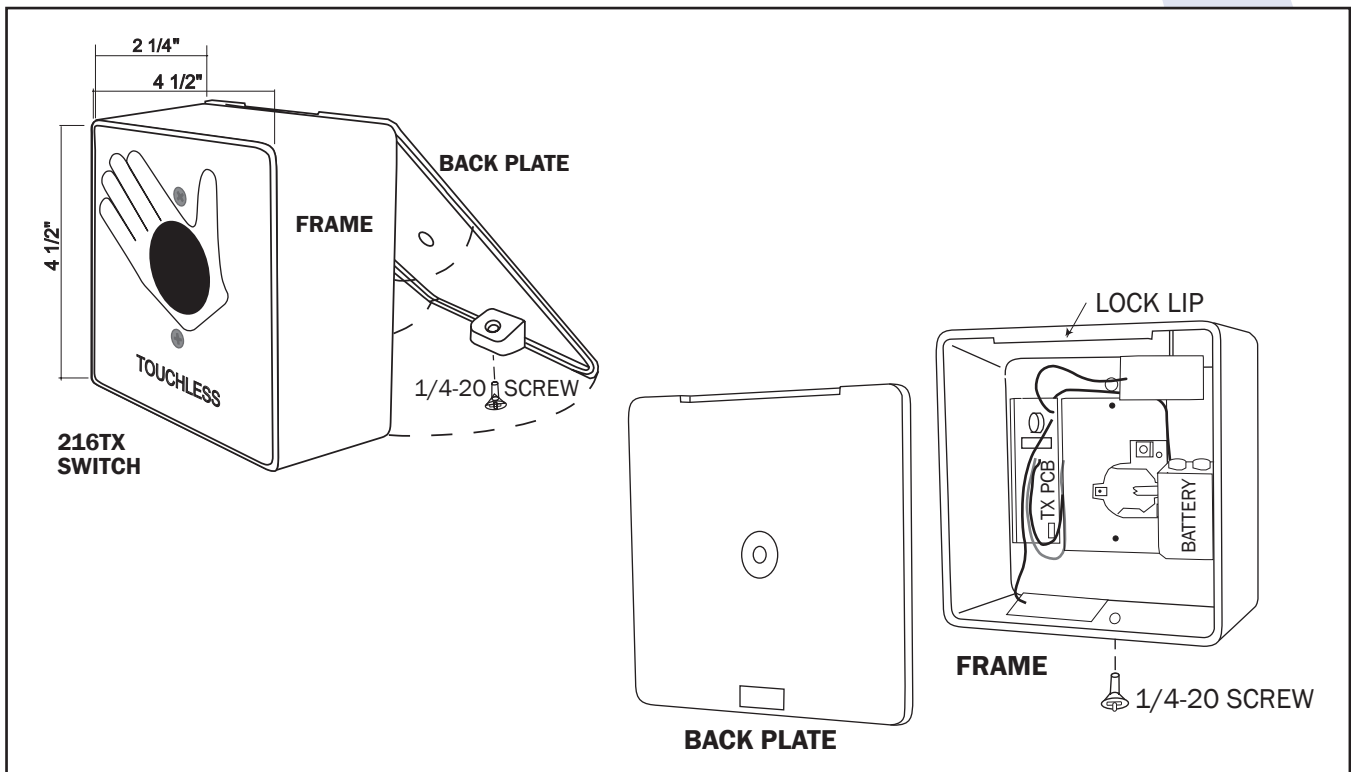
Technical Services

MS SEDCO's staff of factory trained sales and service personnel offer design assistance and technical support. Local distributors are also available to assist in selecting appropriate devices for specific uses and to provide onsite installation.

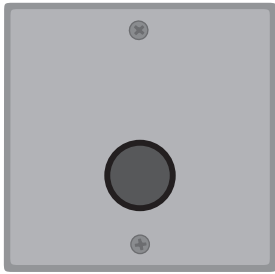
AVAILABLE FACE PLATES



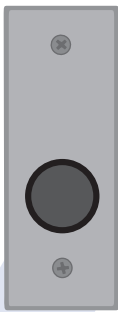
DIMENSIONS



072017



#614-SS (Stainless Steel with No Legend)



#614-NSS (Stainless Steel with No Legend)



1 1/2" Self-Sticking Mylar Face Plate Decals (Blue Background/White Legend)

Product Name

614 Series

Extreme Switches

Contact Information

MS SEDCO
7898 Zionsville Road
Indianapolis, IN 46268
Phone: (317) 842-2545
www.mssedco.com

Product Description

BASIC USE

The 614 Series extreme switches

are designed to provide reliable activation of any automatic door in extreme environments.

The 614 series are virtually indestructible switches. The 1" diameter red anodized aluminum button utilizes a piezo material that has no moving parts. Ideal for industrial clean rooms or other wet environments, the 614 is completely waterproof.

Two different size face plates are available. Both are formed, heavy gauge stainless steel. The 614 series switches will fit a single-gang electrical box or a 1 3/4" door frame. Surface mount boxes are also available.

Technical Data

- Virtually Indestructible Switch
- 1" Diameter Red Anodized Pressure Sensitive (5 lbs.) SPST Button
- Face Plate Sizes:
Single-gang—4 1/2" x 4 1/2"
Jamb—1 11/16" x 4 1/2"
- Waterproof—Completely Sealed
- Weatherproof (-40 ° F to 257 ° F)
- No Moving Parts—Patented Solid State Piezo Technology
- Tested To 50 Million Cycles
- Radio Control Versions Available

DIMENSIONS

See Reverse



ClearPath™ Radio Control Switches with HDRC™ solve problems caused by interference and stray signals — and are guaranteed to work where others won't.

APPLICABLE STANDARDS

American National Standards Institute (ANSI) - Building Hardware Manufacturers Association (BHMA) - ANSI/BHMA A156.10 & A156.19.

APPROVALS

IP68 Enclosure

Installation

Refer to MS SEDCO Installation Instruction Sheet.

Custom Applications:

The 614 Series switch can be customized in a variety of ways. Virtually any legend can be placed on the face plate as well as custom colors or finishes. Contact the factory for pricing.

Availability & Cost

AVAILABILITY

Available internationally from manufacturer's authorized distributors; contact MS SEDCO for the location of nearest distributor.

COST

Cost information on MS SEDCO products is available from the manufacturer's authorized distributor.

614 Series Extreme Switches



ENGINEERED FOR MOTION

Warranty

MS SEDCO, Inc. guarantees this product to be free from manufacturing defects for three years from date of installation. Unless MS SEDCO is notified of the date of installation, the warranty will be in effect for three years from the date of shipment from our factory. If, during the first three years, this product fails to operate and has not been tampered with or abused, the unit can be returned prepaid to the factory and be repaired free of charge. After three years, the unit will be repaired for a nominal service charge. **Limited warranty is in lieu of all other warranties, expressed or implied, including any implied warrantability of merchantability.** No representative or person is authorized to assume for MS SEDCO any other liability in connection with the sale of our products. All warranties are limited to the duration of this written limited warranty. In no event shall MS SEDCO be liable for any special, incidental, consequential or other damage arising from any unclaimed breach of warranty as to its products or services.

Maintenance

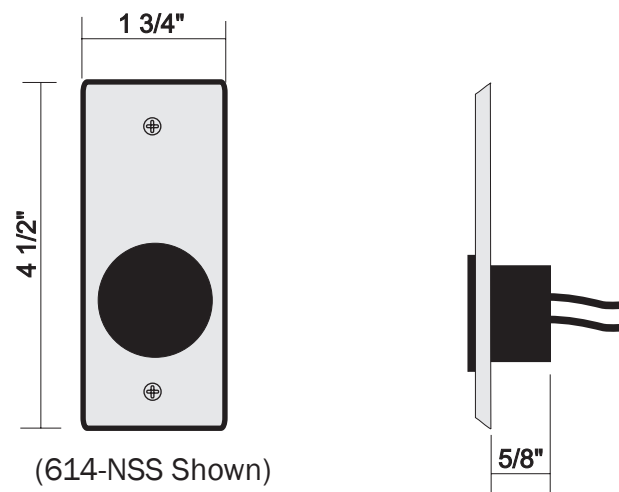
MS SEDCO recommends that all maintenance and adjustments be performed by an AAADM Certified Technician.

Technical Services

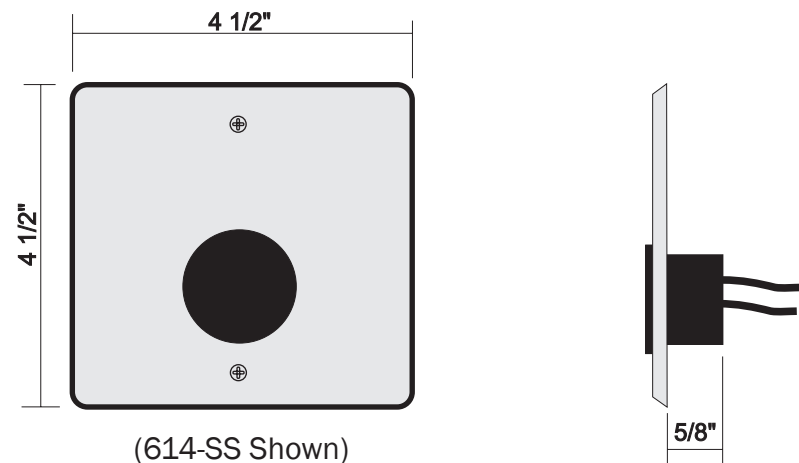
MS SEDCO's staff of factory trained sales and service personnel offer design assistance and technical support. Local distributors are also available to assist in selecting appropriate devices for specific uses and to provide onsite installation.

DIMENSIONS

Narrow Extreme Switch



Single-Gang Extreme Switch



072017



#830 (4 1/2" x 4 1/2" Face Plate)



#830-L-RG (2 3/4" x 4 1/2" Face Plate)



#830-N (1 11/16" x 4 1/2" Face Plate)

Product Name**830 Series***Heavy Duty Keyswitches***Contact Information**

MS SEDCO
7898 Zionsville Road
Indianapolis, IN 46268
Phone: (317) 842-2545
www.mssedco.com

Product Description**BASIC USE**

The 830 Series heavy duty keyswitches are a reliable and economical way to momentarily activate or turn on and off low voltage electrical devices.

When used with automatic doors, the 830 series keyswitches can be used to turn an operator or any activation device on and off. They are also a simple way to provide secure activation of any automatic door.

The 830 series keyswitches are available with a maintained or momentary contact switch. An additional switch of either type can be added. The 830 series also features a choice of three different size stainless steel faceplates. The heavy duty switch bracket features a switch activator dead stop which prevents the key cylinder from damaging a single switch.

Technical Data

- Operates With Standard 1" - 1 1/4" Mortised Cylinder
- Mortised Cylinders Available Separately
- Adjustable Mounting holes Help "Plumb and Square" Keyswitch

- UL Listed SPST Push Button Switch
 - Maintained Contact: 125 VAC, 6A, Red Button
 - Momentary Contact: 125 VAC, 3A, Black Button
- Fits Single-gang, 2-gang Electrical Boxes or MS SEDCO #1015 and #1035 Surface Mount Boxes
- Radio Control Versions Available
- Face Plate Sizes:
 - 4 1/2" x 4 1/2"—Fits Single-gang or 2-gang Box (830)
 - 2 3/4" x 4 1/2"—Fits Single-gang box (830-L)
 - 1 11/16" x 4 1/2"—Fits Door Jamb (830-N)
- Optional LED Indicators Available. LED Rated for use at 12-24V AC or DC
- RG LED option includes RCM module

DIMENSIONS

See Reverse

APPLICABLE STANDARDS

American National Standards Institute (ANSI) - Building Hardware Manufacturers Association (BHMA) - ANSI/BHMA A156.10 & A156.19.

APPROVALS

UL (Micro-Switch)

830 Series Heavy Duty Keyswitches



ENGINEERED FOR MOTION

Installation

The 830 keyswitch is easy to install. It mounts directly to any single-gang box, 2-gang box or a #1015 surface mount box. Wiring is made simple with a plugable wiring harness (consult installation instructions for specific wiring directions).

Availability & Cost

AVAILABILITY

Available internationally from manufacturer's authorized distributors; contact MS SEDCO for the location of nearest distributor.

COST

Cost information on MS SEDCO products is available from the manufacturer's authorized distributor.

Warranty

A one year warranty is available from the manufacturer covering defects in materials and workmanship. Contact MS SEDCO for details.

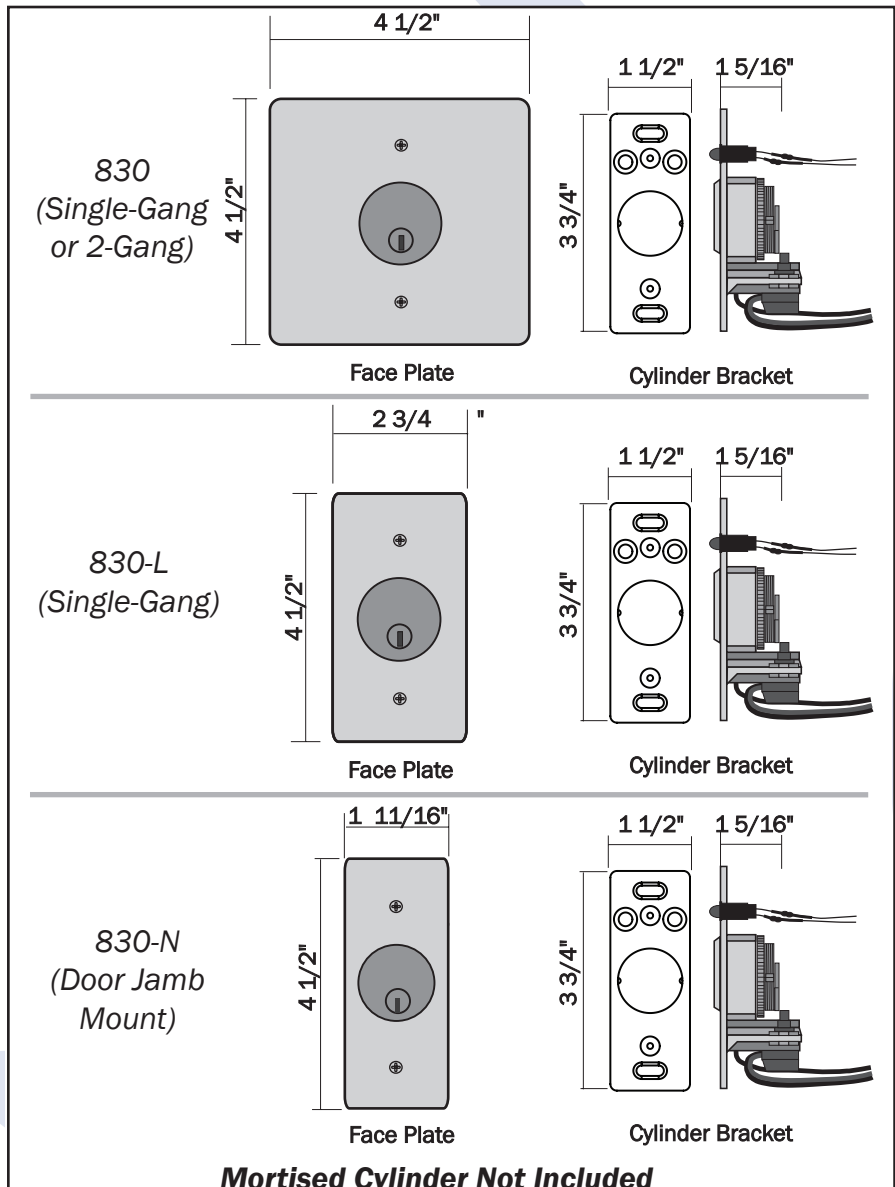
Maintenance

MS SEDCO recommends that all maintenance and adjustments be performed by an AAADM Certified Technician.

Technical Services

MS SEDCO's staff of factory trained sales and service personnel offer design assistance and technical support. Local distributors are also available to assist in selecting appropriate devices for specific uses and to provide onsite installation.

DIMENSIONS



092018



ENGINEERED FOR MOTION

Sedco 830 Series Combination Heavy Duty Keyswitches and Push Plate Switches



830-59J-H-RG



830-59J-H



830-59J-HSS-RG



830-59J-WSS-RG

Product Name

Sedco 830 Series

Combination Heavy Duty Keyswitches
and Push Plate Switches

Contact Information

MS SEDCO
7898 Zionsville Road
Indianapolis, IN 46268
Phone: (317) 842-2545
www.mssedco.com

Product Description

BASIC USE

The 830 Series combination keyswitches and push plate switches are designed to provide reliable and secure activation of any low voltage device.

These unique devices are two switches in one. The keyswitch and the push plate switch can be set up to work independently of each other or the keyswitch can turn the push plate switch on and off, providing an economical way to secure the push plate switch after hours.

The keyswitch is available with either a momentary or maintained contact switch. The push plate switch utilizes the 59J series face plates. The 830 series combination switch can also be used with radio control transmitters.

Technical Data

- Operates with Standard 1 1/8" - 1 1/4" Mortised Cylinder
- Mortised Cylinder Available Separately
- Heavy Duty Keyswitch Features UL Listed SPST Push Button Switch
 - Maintained Contact:

- 125 VAC, 6A, Red Button
 - Momentary Contact:
- 125 VAC, 3A, Black Button
- Optional LED Indicators Available, LED Rated for use at 12-24V AC or DC
- Push Plate Switch Utilizes a 1 1/2" x 4 1/4" All Active Face Plate
- 4 1/2" x 4 1/2" Formed Stainless Steel Back Plate
- Push Plate Switch—UL Listed "Cherry Switch", SPDT, Mom. , 15 Amp @ 125V AC
- Push Plate Switch—Rubber "Bellows" Increases Weather Protection (included)
- Fits 2-gang Electrical Box or MS SEDCO Surface Mount Box
- Special Finishes: US3, US4, US10, US10B, US32
- Radio Control Versions Available
- RG LED option includes RCM module

DIMENSIONS

See Reverse

APPLICABLE STANDARDS

American National Standards Institute (ANSI) - Building Hardware Manufacturers Association (BHMA) - ANSI/BHMA A156.10 & A156.19.

APPROVALS

UL (Micro-Switch)

Installation

The 830 combination keyswitch is easy to install. It mounts directly to any 2-gang wall box or an MS SEDCO surface mount box. Wiring is made simple with a plugable wiring harness (consult installation instructions for specific wiring directions).

092018

Sedco 830 Series Combination Heavy Duty Keyswitches and Push Plate Switches



ENGINEERED FOR MOTION

Availability & Cost

AVAILABILITY

Available internationally from manufacturer's authorized distributors; contact MS SEDCO for location of nearest distributor.

COST

Cost information on MS SEDCO products is available from the manufacturer's authorized distributors.

Warranty

MS SEDCO, Inc. guarantees this product to be free from manufacturing defects for three years from date of installation. Unless MS SEDCO is notified of the date of installation, the warranty will be in effect for three years from the date of shipment from our factory. If, during the first three years, this product fails to operate and has not been tampered with or abused, the unit can be returned prepaid to the factory and be repaired free of charge. After three years, the unit will be repaired for a nominal **service charge. Limited warranty is in lieu of all other warranties, expressed or implied, including any implied warrantability of merchantability. No representative or person is authorized to assume for MS SEDCO any other liability in connection with the sale of our products. All warranties are limited to the duration of this written limited warranty. In no event shall MS SEDCO be liable for any special, incidental, consequential or other damage arising from any unclaimed breach of warranty as to its**

products or services.

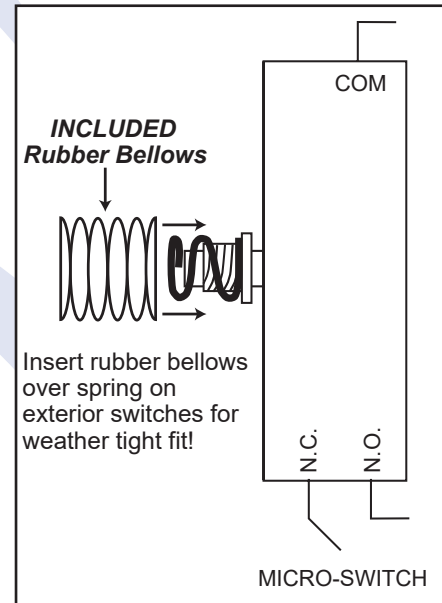
Maintenance

MS SEDCO recommends that all maintenance and adjustments be performed by an AAADM Certified Technician.

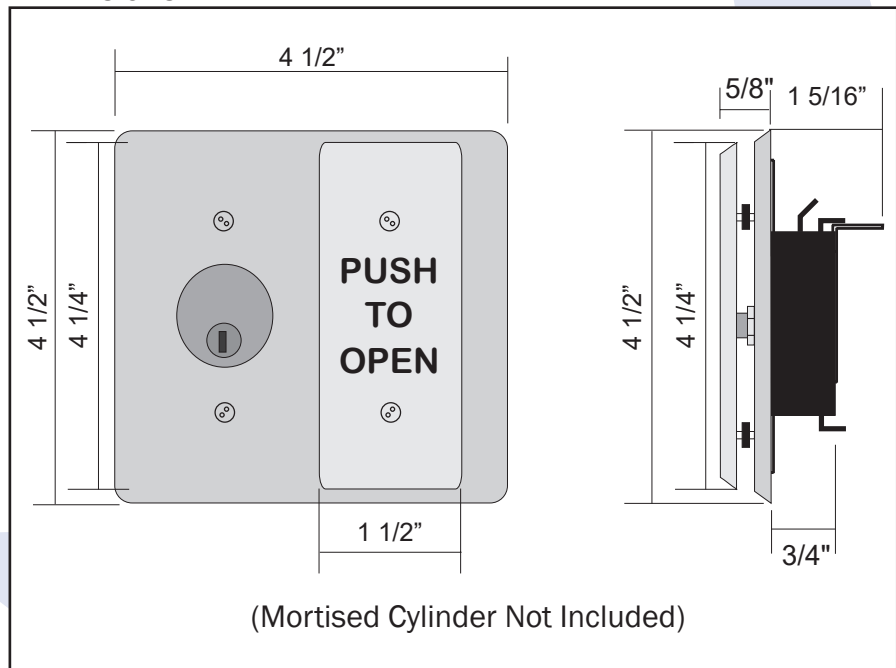
Technical Services

MS SEDCO's staff of factory trained sales and service personnel offer design assistance and technical support. Local distributors are also available to assist in selecting appropriate devices for specific uses and to provide onsite installation.

BELLOWS DIAGRAM



DIMENSIONS



092018



Attractive and built to withstand the toughest conditions, the 628 Series bollards are made of 5" square tubular steel that is 1/8" thick. The durable LongLife™ Finish protects against rust and consists of two coats: a zinc rich base coat on all surfaces and an industrial grade exterior powder coat finish. An innovative ABS plastic rust shield fits under the mounting shoe to help block the corrosive action of concrete to steel contact. The integral plastic cap allows superior wireless signal range.

The 628 Series bollards come standard with two single recess mounted switches or blank (without preps) so that equipment can be custom fit in the field. MS SEDCO Also offers custom machining and special finishes. All versions can be ordered for either hardwired or wireless operation.

Technical Data

- Microswitch Includes Rubber Bellows For Added Weather Protection
- 5" Square Tubular Steel, 1/8" Wall Thickness
- Formed Plastic Cap With Integral Transmitter (Optional) For Wireless Operation
- Interchangeable Surface And Inground Mounting Shoes OR External Surface Mounting Foot Available
- Durable Exterior Grade LongLife™ Finish with Rust Shield In Gray Or Dark Bronze

APPLICABLE STANDARDS

American National Standards Institute (ANSI) - Building Hardware Manufacturers Association (BHMA) - ANSI/BHMA A156.10 & A156.19.
2007 California Building Code.

Availability & Cost

AVAILABILITY

Available internationally from manufacturer's authorized distributors; contact MS SEDCO for the location of nearest distributor.

COST

Cost information on MS SEDCO products is available from the manufacturer's authorized distributors.

Warranty

MS SEDCO, Inc. guarantees this product to be free from manufacturing defects for one year from date of installation. Unless MS SEDCO is notified of the date of installation, the warranty will be in effect for one year from the date of shipment from our factory. If, during the first year, this product fails to operate and has not been tampered with or abused, the unit can be returned prepaid to the factory and be repaired free of charge. After one year, the unit will be repaired for a nominal service charge. **Limited warranty is in lieu of all other warranties, expressed or implied, including any implied warrantability of merchantability, no representative or person is authorized to assume for MS SEDCO any other liability in connection with the sale of our products. All warranties are limited to the duration of this written limited warranty. In no event shall MS SEDCO be liable for any special, incidental, consequential or other damage arising from any unclaimed breach of warranty as to its products or services.**

Product Name

628 Series

Heavy Duty 2-Switch Bollards with LongLife™ Finishes

Contact Information

MS SEDCO
7898 Zionsville Road
Indianapolis, IN 46268
Phone: (317) 842-2545
www.mssedco.com

Product Description

BASIC USE

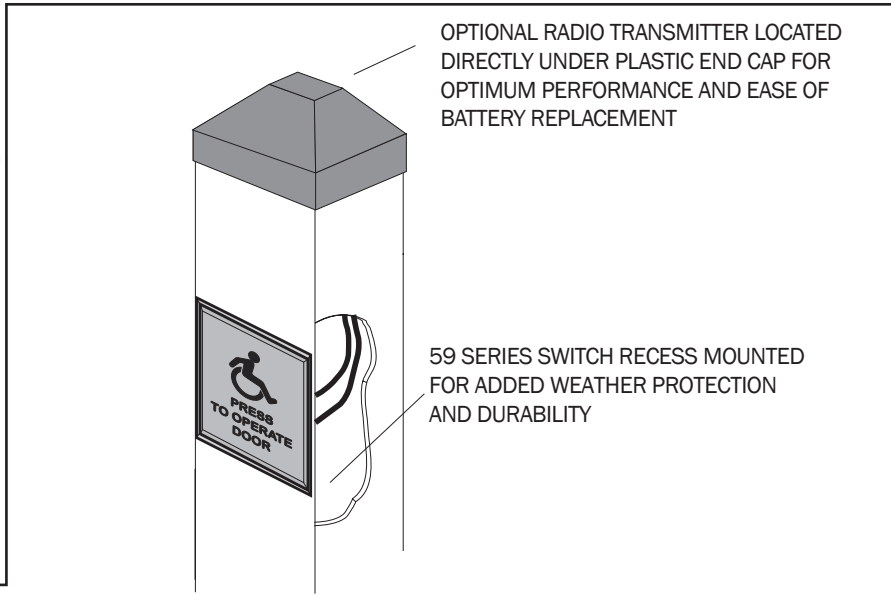
The 628 Series Switch Bollards are designed to provide a free standing self-contained door activation device that can be installed at any location. The 628 features a second switch with a centerline 7.5" above the floor in compliance with the 2007 California Building Code.

628 Series Heavy Duty 2-Switch Bollards

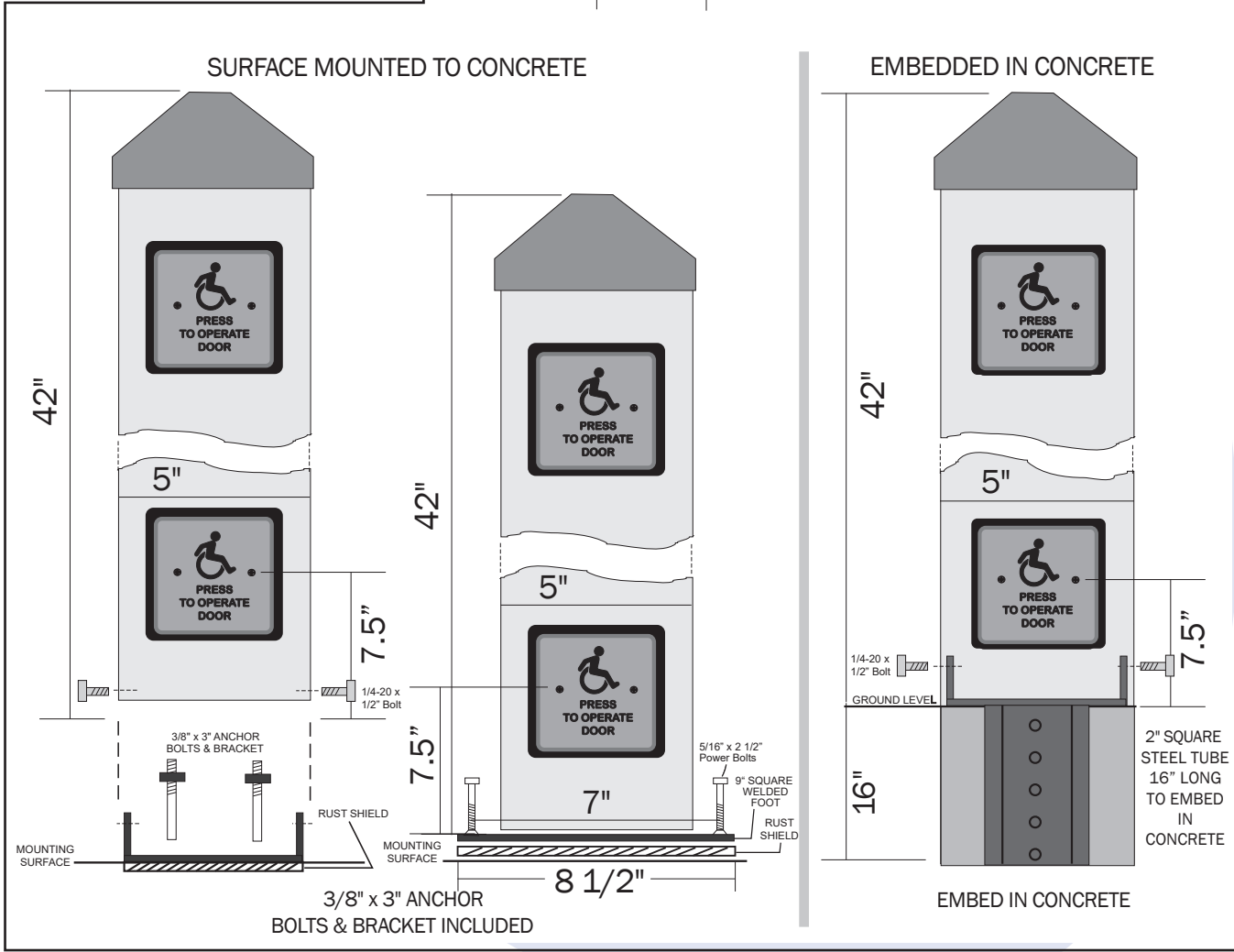
ENGINEERED FOR MOTION

Maintenance
MS SEDCO recommends that all maintenance and adjustments be performed by an AAADM Certified Technician.

Technical Services
MS SEDCO's staff of factory trained sales and service personnel offer design assistance and technical support. Local distributors are also available to assist in selecting appropriate devices for specific uses and to provide onsite installation



DIMENSIONS

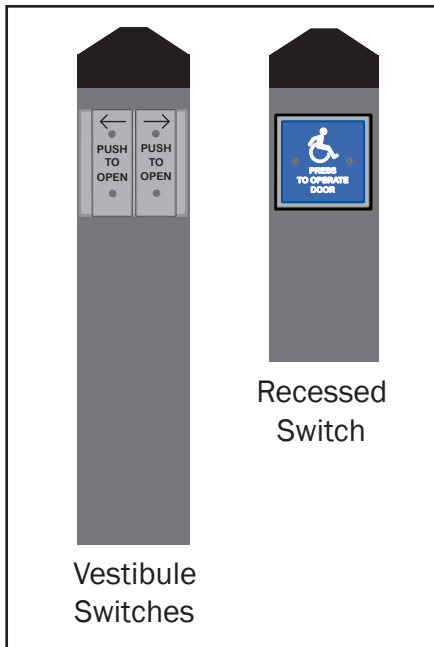




ENGINEERED FOR MOTION

608 Series Heavy Duty

Push Plate Switch Posts



base coat on all surfaces and an industrial grade exterior powder coat finish. An innovative ABS plastic rust shield fits under the mounting shoe to help block the corrosive action of concrete to steel contact. The integral plastic cap allows superior wireless signal range.

The 608 Series posts come standard with a single recess mounted switch, 2 switches for vestibule operation or blank (without preps) so that equipment can be custom fit in the field. MS SEDCO also offers custom machining and special finishes. All versions can be ordered for either hardwired or wireless operation.

Technical Data

- Microswitch Includes Rubber Bellows For Added Weather Protection
- 5" Square Tubular Steel, 1/8" Wall Thickness
- Formed Plastic Cap With Integral Transmitter (Optional) For Wireless Operation
- Interchangeable Surface And Inground Mounting Shoes
- Durable Exterior Grade LongLife™ Finish with Rust Shield In Gray Or Dark Bronze

DIMENSIONS
See Reverse

APPLICABLE STANDARDS

American National Standards Institute (ANSI) - Building Hardware Manufacturers Association (BHMA) - ANSI/BHMA A156.10 & A156.19.

Availability & Cost

AVAILABILITY

Available internationally from manufacturer's authorized distributors; contact MS SEDCO for the location of nearest distributor.

COST

Cost information on MS SEDCO products is available from the manufacturer's authorized distributors.

Warranty

MS SEDCO, Inc. guarantees this product to be free from manufacturing defects for one year from date of installation. Unless MS SEDCO is notified of the date of installation, the warranty will be in effect for one year from the date of shipment from our factory. If, during the first year, this product fails to operate and has not been tampered with or abused, the unit can be returned prepaid to the factory and be repaired free of charge. After one year, the unit will be repaired for a nominal service charge. **Limited warranty is in lieu of all other warranties, expressed or implied, including any implied warrantability of merchantability, no representative or person is authorized to assume for MS SEDCO any other liability in connection with the sale of our products. All warranties are limited to the duration of this written limited warranty. In no event shall MS SEDCO be liable for any special, incidental, consequential or other damage arising from any unclaimed breach of warranty as to its products or services.**

Product Name 608 Series

Heavy Duty Push Plate Switch Posts with LongLife™ Finishes

Contact Information

MS SEDCO
7898 Zionsville Road
Indianapolis, IN 46268
Phone: (317) 842-2545
www.mssedco.com

Product Description

BASIC USE

The 608 Series Switch Posts are designed to provide a free standing self-contained door activation device that can be installed at any location.

Attractive and built to withstand the toughest conditions, the 608 Series posts are made of 5" square tubular steel that is 1/8" thick. The durable LongLife™ Finish protects against rust and consists of two coats: a zinc rich

608 Series Heavy Duty Push Plate Switch Posts



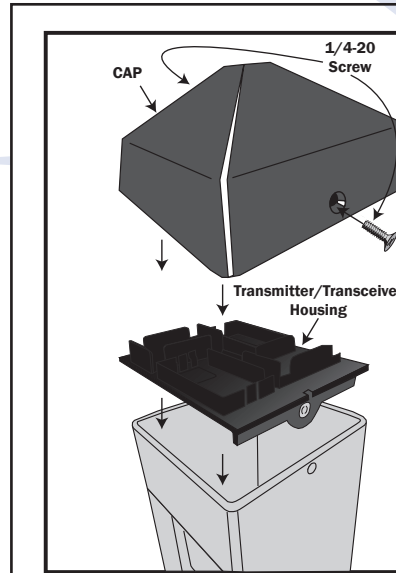
ENGINEERED FOR MOTION

Maintenance

MS SEDCO recommends that all maintenance and adjustments be performed by an AAADM Certified Technician.

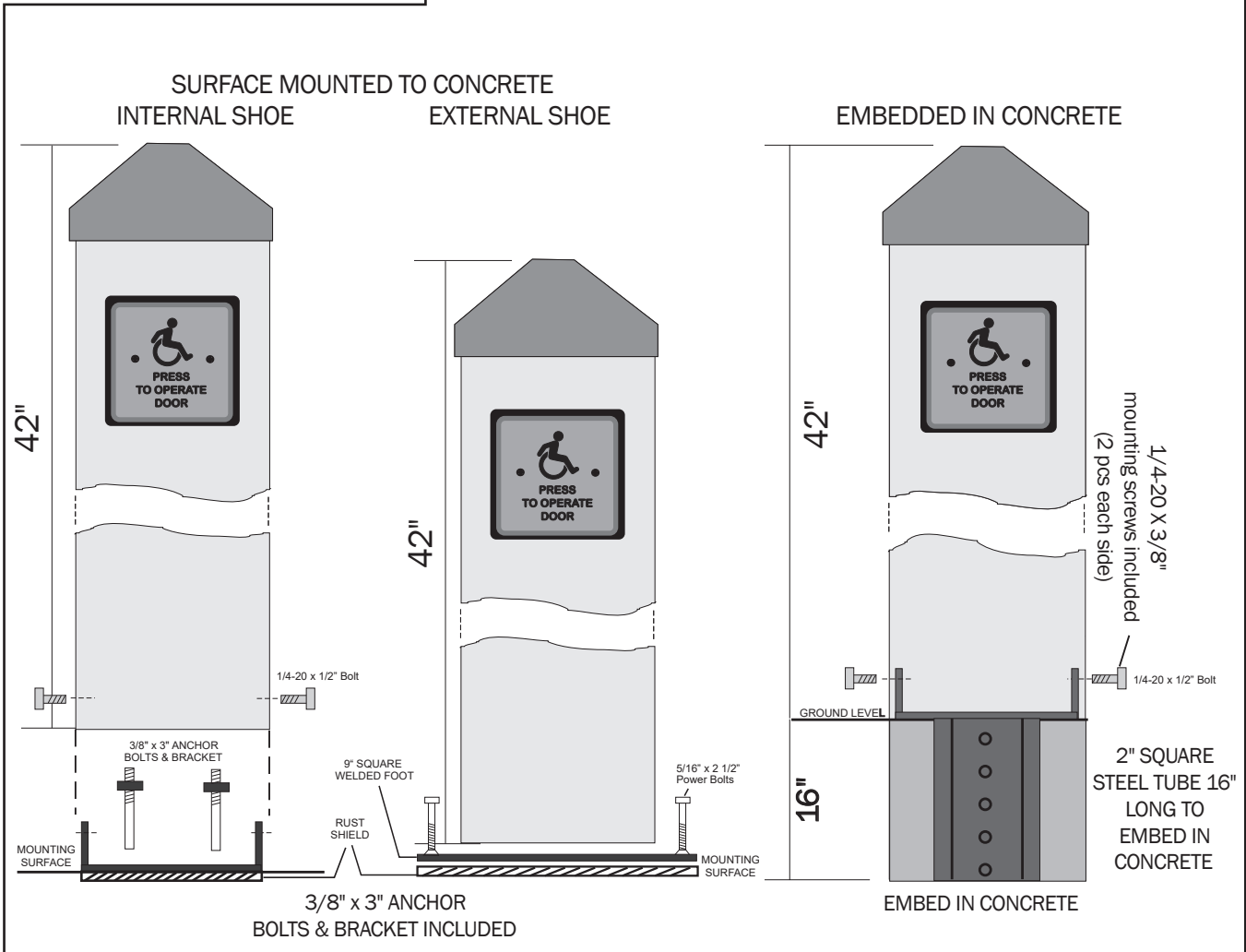
Technical Services

MS SEDCO's staff of factory trained sales and service personnel offer design assistance and technical support. Local distributors are also available to assist in selecting appropriate devices for specific uses and to provide onsite installation.



OPTIONAL RADIO TRANSMITTER LOCATED DIRECTLY UNDER PLASTIC END CAP FOR OPTIMUM PERFORMANCE AND EASE OF BATTERY REPLACEMENT

DIMENSIONS



112017



ENGINEERED FOR MOTION

514 Series Heavy Duty

Push Plate Switch Posts



BLANK POST

POST WITH 59J-H IN 1010 SURFACE BOX

Product Description

BASIC USE

The 514 Series Switch Posts are designed to provide a free standing self-contained door activation device that can be installed at any location.

As an economical alternative to larger bollards, the 514 offers a sleek look. The 514 features a surface external foot for stability and easy installation, and an ABS rust shield. The 514 bollard is constructed for use with jamb-width switches, and is best complimented with a 59J switch in a 1010 surface box.

The 514 comes standard prepped for wiring, and can be customized in the field. It is available stand alone, with a switch installed, or with a switch and wireless transmitter installed.

Technical Data

- Microswitch Includes Rubber Bellows For Added Weather Protection
- 2" Square Tubular Steel, 1/8" Wall Thickness
- Welded Cap
- External Mounting Foot
- Durable Exterior Grade LongLife™ Finish with Rust Shield In Gray Or Dark Bronze

DIMENSIONS

See Reverse

APPLICABLE STANDARDS

American National Standards Institute (ANSI) - Building Hardware Manufacturers Association (BHMA) - ANSI/BHMA A156.10 & A156.19.

Technical Data

AVAILABILITY

Available internationally from manufacturer's authorized distributors; contact MS SEDCO for the location of nearest distributor.

COST

Cost information on MS SEDCO products is available from the manufacturer's authorized distributors.

Warranty

A one year warranty is available from the manufacturer covering defects in materials and workmanship. Contact MS SEDCO for details.

Maintenance

MS SEDCO recommends that all maintenance and adjustments be performed by an AAADM Certified Technician.

Technical Services

MS SEDCO's staff of factory trained sales and service personnel offer design assistance and technical support. Local distributors are also available to assist in selecting appropriate devices for specific uses and to provide onsite installation.

Product Name

514 Series

Heavy Duty Push Plate Switch Posts with LongLife™ Finishes

Contact Information

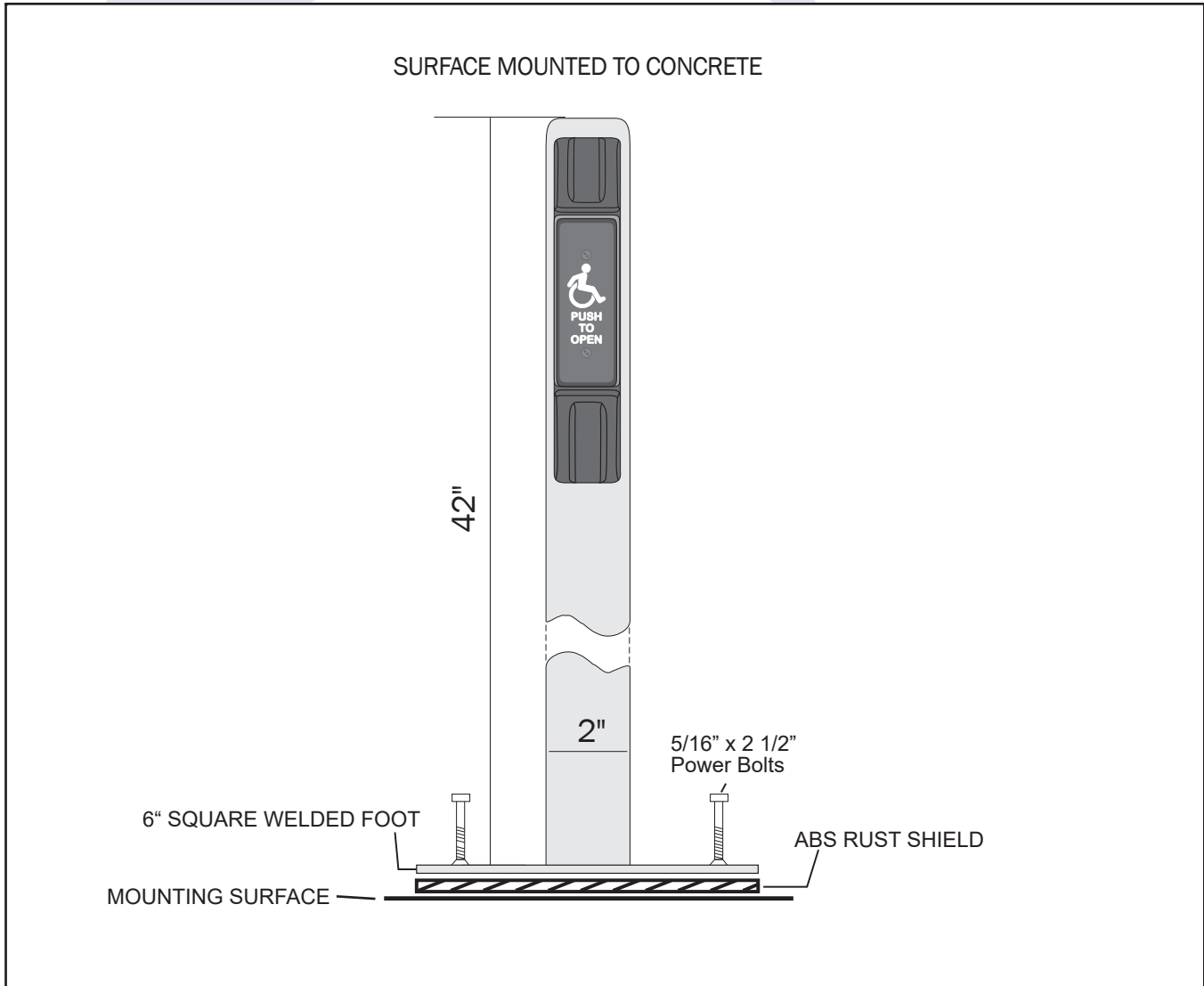
MS SEDCO
7898 Zionsville Road
Indianapolis, IN 46268
Phone: (317) 842-2545
www.mssedco.com

**514 Series
Heavy Duty
Push Plate Switch Posts**



ENGINEERED FOR MOTION

DIMENSIONS





ENGINEERED FOR MOTION

NexGen CapTouch Series Capacitive Touch Door Activator Switches



#NG-CT-HSS



#NG-CT-P

actuator that is both stylish and tough. NexGen switches are extremely thin and utilize no moving parts. The 4" faceplate is bordered by a clear bezel edge that illuminates upon activation.

Their hands free operation makes them ideal for ADA applications. Other applications include clean-room access points, request-to-exit devices (1 amp contact), and point-of-purchase displays. The NexGen Capacitive Touch switch is microprocessor controlled, allowing for superior operation in a smaller unit.

Technical Data

- ADA Compliant Operation
- Faceplates Available in Various Finishes
- Microprocessor-Controlled Capacitive Touch
- 12 to 24V AC or DC Operation
- Form C Relay Output
- Heavy Duty 1 Amp Contact
- Braille text option available

Relay Contacts

Form C rated at 1 amp @ 24V DC (resistive)

Operating Distance

Adjustable from touch (0") to 1"

Unit Size

4.5"W x 4.5"H x 0.75"D

Face Plate Sizes

Fits Single-gang or 2-gang Box
4 1/2"W x 4 1/2"H
Fits Single-Gang Box
2 3/4"W x 4 1/2"H

Face Plate Finish

Standard: Brushed Stainless Steel
For Special Finishes Contact Factory

Temperature

-13°F to 140°F (-25°C to 60°C)

Recommended For Interior Use

Product Name

NexGen CapTouch Series

Capacitive Touch Door Activator Switches

Contact Information

MS SEDCO
7898 Zionsville Road
Indianapolis, IN 46268
Phone: (317) 842-2545
www.mssedco.com

Product Description

BASIC USE

The NexGen CapTouch Series actuator is the next generation of automatic door activation switch. The NexGen CT combines the latest advances in capacitive sensing technology with durable composite plastics, to create an

SPECIFICATIONS

Activation Method

NexGen technology using digital burst mode charge transfer sensor for detecting near proximity or touch.

Input Voltage

12V to 24V AC or DC, not polarity sensitive

Input Current

Nominal ± 15mA @24V AC
Activated ± 40mA @ 24V AC

092018

NexGen CapTouch Series Capacitive Touch Door Activator Switches



ENGINEERED FOR MOTION

APPLICABLE STANDARDS

American National Standards Institute (ANSI) - Building Hardware Manufacturers Association (BHMA) - ANSI/BHMA A156.10 & A156.19.

devices for specific uses and to provide onsite installation.

DIMENSIONS

Installation

Refer to MS SEDCO Installation Instructions.

Availability & Cost

AVAILABILITY

Available internationally from manufacturer's authorized distributors; contact MS SEDCO for the location of the nearest distributor.

COST

Cost information on MS SEDCO products is available from the manufacturer's authorized distributors.

Warranty

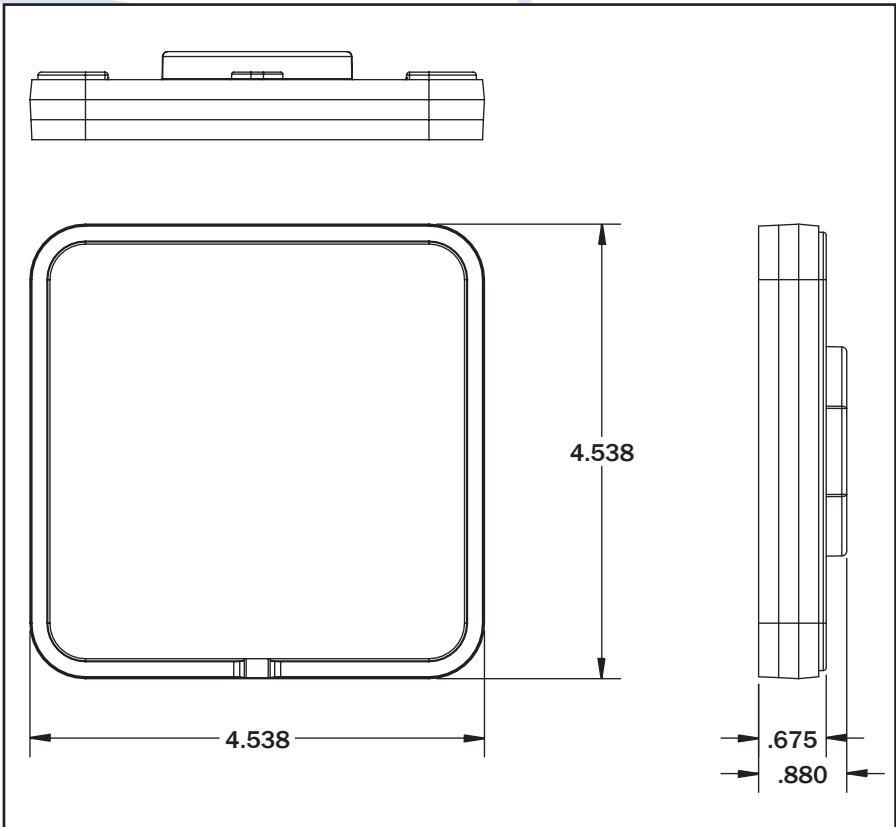
A one year warranty is available from the manufacturer covering defects in materials and workmanship. Contact MS SEDCO for details.

Maintenance

MS SEDCO recommends that all maintenance and adjustments be performed by an AAADM Certified Technician.

Technical Services

MS SEDCO's staff of factory trained sales and service personnel offer design assistance and technical support. Local distributors are also available to assist in selecting appropriate





ENGINEERED FOR MOTION

NexGen Series Infrared Touchless Door Activator Switches



#NG-IR-A

Product Name

NexGen

Infrared Touchless Door Activator Switches

Contact Information

MS SEDCO
7898 Zionsville Road
Indianapolis, IN 46268
Phone: (317) 842-2545
www.mssedco.com

Product Description

BASIC USE

The NexGen Infrared Touchless actuator is the next generation of automatic door activation switch. The NexGen IR combines the latest advances in infrared sensing technology with durable composite plastics, to create an actuator that is both stylish and tough. NexGen switches are extremely thin and utilize no moving parts. The 4" faceplate is bordered by a clear bezel edge that illuminates upon activation.

Their hands free operation makes them ideal for ADA applications. Other applications include clean-room access

points, request-to-exit devices (1 amp contact) and point-of-purchase displays. The NexGen Infrared Touchless switch is microprocessor controlled allowing for superior operation in a smaller unit.

Technical Data

- ADA Compliant Operation
- Microprocessor-Controlled Infrared Touchless
- Adjustable Reaction Time (0.05-3 Sec.)
- Adjustable Detection Range
- 12 to 24V AC or DC Operation
- Form C Relay Output
- Heavy Duty 1 Amp Contact

SPECIFICATIONS

Activation Method

NexGen technology using rapid infrared pulses, to ensure accurate detection.

Avg. Radiated Power

Less than 18mW

Input Voltage

12V to 24V AC or DC, not polarity sensitive

Input Current

Nominal $\pm 15\text{mA}$ @24V AC
Activated $\pm 40\text{mA}$ @ 24V AC

Relay Contacts

Form C rated at 1 amp @ 24V DC

Response Time/Reaction Time

Adjustable from 0.05 to 3 sec.

Operating Distance

$\pm 5"$ to $12"$

Unit Size

4.5"W x 4.5"H x 0.75"D

Face Plate Sizes

Fits Single-gang or 2-gang Box

4 1/2"W x 4 1/2"H

Fits Single-Gang Box

2 3/4"W x 4 1/2"H

Face Plate Finish

Standard: Black Acrylic Finish

Temperature

-13°F to 140°F (-25°C to 60°C)

Recommended For Interior Use

APPLICABLE STANDARDS

American National Standards Institute (ANSI) - Building Hardware Manufacturers Association (BHMA) - ANSI/BHMA A156.10 & A156.19.

Installation

Refer to MS SEDCO Installation Instructions.

Availability & Cost

AVAILABILITY

Available internationally from manufacturer's authorized distributors; contact MS SEDCO for the location of the nearest distributor.

COST

Cost information on MS SEDCO products is available from the manufacturer's authorized distributors.

Warranty

A one year warranty is available from the manufacturer covering defects in materials and workmanship. Contact MS SEDCO for details.

012018

NexGen Series Infrared Touchless Door Activator Switches



ENGINEERED FOR MOTION

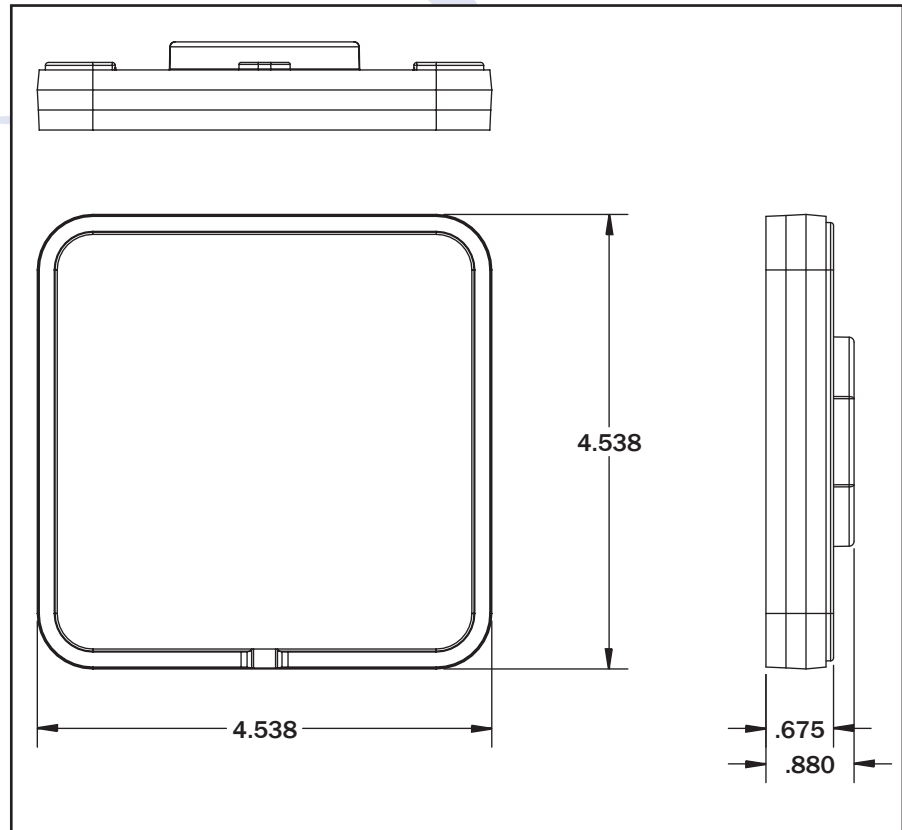
Maintenance

MS SEDCO recommends that all maintenance and adjustments be performed by an AAADM Certified Technician.

Technical Services

MS SEDCO's staff of factory trained sales and service personnel offer design assistance and technical support. Local distributors are also available to assist in selecting appropriate devices for specific uses and to provide onsite installation

DIMENSIONS





ENGINEERED FOR MOTION

NexGen Series Capacitive Touch Wireless Door Activator Switches



#NGS-CT-HSS



#NGS-CT-P

actuator that is both stylish and tough. NexGen switches are extremely thin and utilize no moving parts. The 4" faceplate is bordered by a clear bezel edge that illuminates upon activation.

Their hands free operation makes them ideal for ADA applications. Other applications include clean-room access points, request-to-exit devices, and point-of-purchase displays. The NexGen Capacitive Touch switch is microprocessor controlled, allowing for superior operation in a smaller unit. The wireless version includes a built-in ClearPath Spectrum transceiver that can be paired to the S-COR coordinator, eliminating the need for wiring.

Technical Data

- ADA Compliant Operation
- Microprocessor-Controlled Capacitive Touch
- Built-in Transceiver Compatible with ClearPath Spectrum Series S-COR Coordinator
- Braille text option available

SPECIFICATIONS

Activation Method

NexGen technology using digital burst mode charge transfer sensor for detecting near proximity or touch.

Power Requirements

On-board battery provides necessary power

Battery Life

5 years for most applications

Transceiver Operating Distance

Clear transmission exceeds 30'

Operating Distance

Adjustable touch sensitivity

Unit Size

4.5"W x 4.5"H x 0.75"D

Face Plate Finish

Standard: Brushed Stainless Steel
For Custom Plates, Contact Factory

Temperature

-13°F to 140°F (-25°C to 60°C)

APPLICABLE STANDARDS

American National Standards Institute (ANSI) - Building Hardware Manufacturers Association (BHMA) - ANSI/BHMA A156.10 & A156.19.

Installation

Refer to MS SEDCO Installation Instructions.

Availability & Cost

AVAILABILITY

Available internationally from manufacturer's authorized distributors; contact MS SEDCO for the location of the nearest distributor.

COST

Cost information on MS SEDCO products is available from the manufacturer's authorized distributors.

Product Name

NexGen Wireless Series

Capacitive Touch Wireless Door Activator Switches

Contact Information

MS SEDCO
7898 Zionsville Road
Indianapolis, IN 46268
Phone: (317) 842-2545
www.mssedco.com

Product Description

BASIC USE

The NexGen Capacitive Touch actuator is the next generation of automatic door activation switch. The NexGen CT combines the latest advances in capacitive sensing technology with durable composite plastics, to create an

NexGen Series Capacitive Touch Wireless Door Activator Switches



ENGINEERED FOR MOTION

Warranty

A one year warranty is available from the manufacturer covering defects in materials and workmanship. Contact MS SEDCO for details.

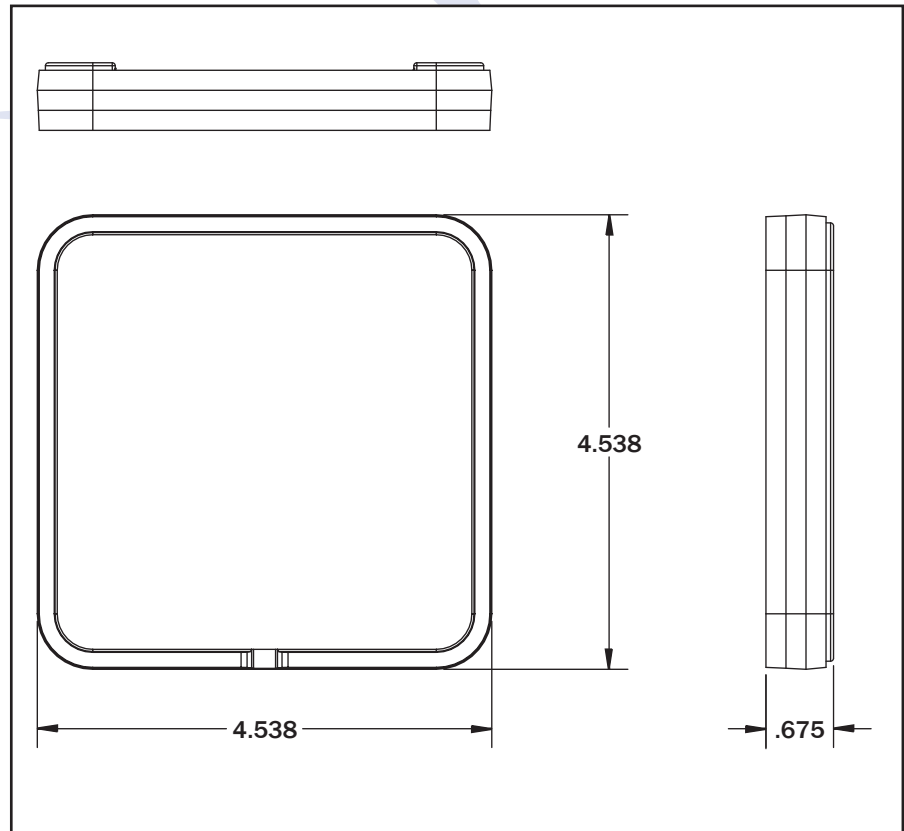
Maintenance

MS SEDCO recommends that all maintenance and adjustments be performed by an AAADM Certified Technician.

Technical Services

MS SEDCO's staff of factory trained sales and service personnel offer design assistance and technical support. Local distributors are also available to assist in selecting appropriate devices for specific uses and to provide onsite installation.

DIMENSIONS





ENGINEERED FOR MOTION

NexGen Series Infrared Touchless Wireless Door Activator Switches



#NGS-IR-A

Product Name NexGen Wireless Series

Infrared Touchless Wireless Door
Activator Switches

Contact Information

MS SEDCO
7898 Zionsville Road
Indianapolis, IN 46268
Phone: (317) 842-2545
www.mssedco.com

Product Description

BASIC USE

The NexGen Infrared Touchless actuator is the next generation of automatic door activation switch. The NexGen IR combines the latest advances in infrared sensing technology with durable composite plastics, to create an actuator that is both stylish and tough. NexGen switches are extremely thin and utilize no moving parts. The 4" faceplate is bordered by a clear bezel edge that illuminates upon activation.

Their hands free operation makes them ideal for ADA applications. Other applications include clean-room access

points, request-to-exit devices, and point-of-purchase displays. The NexGen Infrared Touchless switch is microprocessor controlled allowing for superior operation in a smaller unit. The wireless version includes a built-in ClearPath Spectrum transceiver that can be paired to the S-COR coordinator, eliminating the need for wiring.

Technical Data

- ADA Compliant Operation
- Microprocessor-Controlled Infrared Touchless
- Adjustable Reaction Time (0 to 1.5 Sec.)
- Adjustable Detection Range

SPECIFICATIONS

Activation Method

NexGen technology using rapid infrared pulses, to ensure accurate detection.

Power Requirements

On-board battery provides necessary power

Battery Life

5 years for most applications

Response Time/Reaction Time

Adjustable from 0 to 1.5 sec.

Range Adjustment

Adjustable from 3" to 7"

Transceiver Operating Distance

Clear transmission exceeds 30'

Unit Size

4.5"W x 4.5"H x 0.75"D

Face Plate Finish

Standard: Black Acrylic Finish

Temperature

-13°F to 140°F (-25°C to 60°C)

Recommended For Interior Use

APPLICABLE STANDARDS

American National Standards Institute (ANSI) - Building Hardware Manufacturers Association (BHMA) - ANSI/BHMA A156.10 & A156.19.

Installation

Refer to MS SEDCO Installation Instructions.

Availability & Cost

AVAILABILITY

Available internationally from manufacturer's authorized distributors; contact MS SEDCO for the location of the nearest distributor.

COST

Cost information on MS SEDCO products is available from the manufacturer's authorized distributors.

Warranty

A one year warranty is available from the manufacturer covering defects in materials and workmanship. Contact MS SEDCO for details.

Maintenance

MS SEDCO recommends that all maintenance and adjustments be performed by an AAADM Certified Technician.

062018

NexGen Series Infrared Touchless Wireless Door Activator Switches

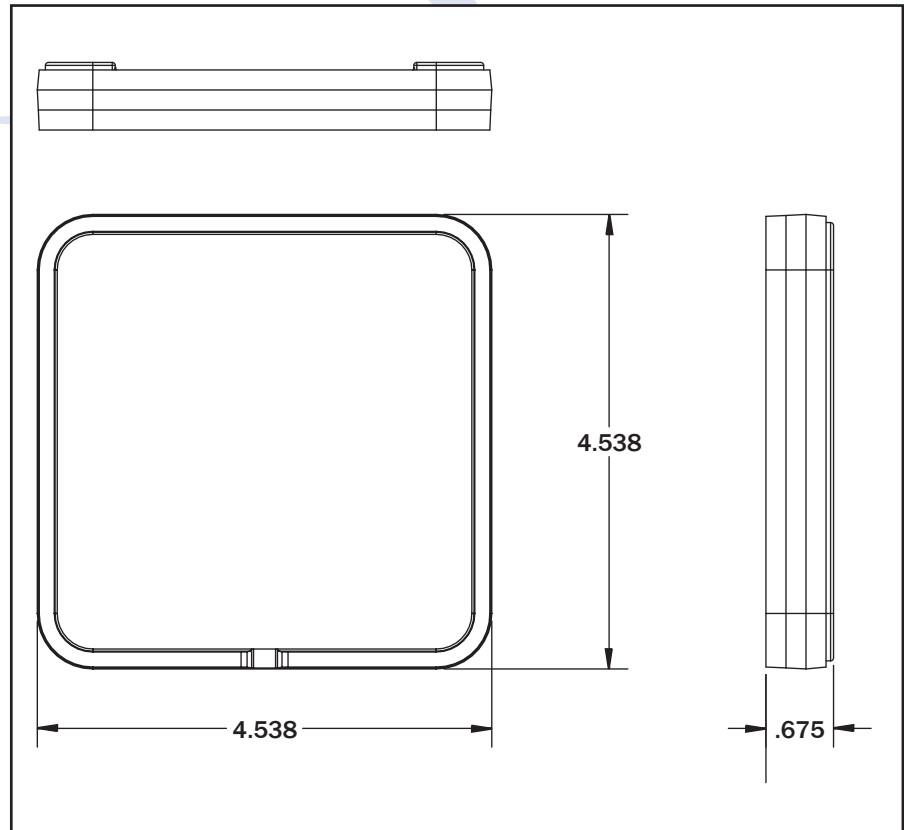


ENGINEERED FOR MOTION

Technical Services

MS SEDCO's staff of factory trained sales and service personnel offer design assistance and technical support. Local distributors are also available to assist in selecting appropriate devices for specific uses and to provide onsite installation

DIMENSIONS





ENGINEERED FOR MOTION

2WIRE Module Control Module for Conversion of Hardwired Actuator to Actuator Requiring Power Using Existing Wiring



control. Mechanical actuators require only two wires for activation of the door control. Due to this, upgrading required running two additional wires, which could prove costly and time consuming. Using the 2WIRE Module eliminates the need for additional wiring, making the conversion simple and inexpensive!

Relay Operation Modes

Normal or "fail-safe" (jumper selectable)

Unit Size

2"W x 2 3/8"L x 3/4"D

Temperature

-13° F to 140° F (-25° C to 60° C)

Recommended For Interior Use

Product Name

2WIRE Module

Control Module for Conversion of Hardwired Mechanical Actuator to Actuator Requiring Power Using Existing Wiring

The 2WIRE Module is designed to install in the door header and requires a 12-24 V AC or DC power input. Up to four actuators can be powered using the 2WIRE Module.

Contact Information

MS SEDCO
7898 Zionsville Road
Indianapolis, IN 46268
Phone: (317) 842-2545
www.mssedco.com

Actuators such as the 216 series infrared touchless or NexGen series can be purchased separately, or as part of a retrofit kit. The input power wires for the actuators connect to the 12V DC Out terminals of the 2WIRE Module. When any of the actuators are triggered, the relay output on the 2WIRE Module will change state, activating the door control.

Product Description

BASIC USE

The 2WIRE Module is a control module which provides an easy and inexpensive way to upgrade an existing hardwired mechanical actuator to a touchless or capacitive touch actuator that requires power, such as the 216 or NexGen series, without the need for additional wiring.

Upgrading hardwired automatic door actuators to actuators that require power has traditionally been an arduous process. Most actuators that require power use a four wire connection - two wires to provide power to the actuator, and two wires for activation of the door

Technical Data

- ADA Compliant Operation
- 12 to 24V AC or DC Operation
- Form C Relay Output
- Heavy Duty 3 Amp Contact

Input Voltage

12V to 24V AC or DC, not polarity sensitive

Input Current

Approx. 100mA @ 18V AC

Relay Contacts

Form C rated at 3 amps @ 24V DC (resistive)

Current Draw

100mA at 24V

2WIRE Module

Control Module for Conversion of Hardwired Actuator to Actuator Requiring Power Using Existing Wiring



ENGINEERED FOR MOTION

APPLICABLE STANDARDS

American National Standards Institute (ANSI) - Building Hardware Manufacturers Association (BHMA) - ANSI/BHMA A156.10 & A156.19.

devices for specific uses and to provide onsite installation

Installation

Refer to MS SEDCO Installation Instructions.

Availability & Cost

AVAILABILITY

Available internationally from manufacturer's authorized distributors; contact MS SEDCO for the location of the nearest distributor.

COST

Cost information on MS SEDCO products is available from the manufacturer's authorized distributors.

Warranty

A one year warranty is available from the manufacturer covering defects in materials and workmanship. Contact MS SEDCO for details.

Maintenance

MS SEDCO recommends that all maintenance and adjustments be performed by an AAADM Certified Technician.

Technical Services

MS SEDCO's staff of factory trained sales and service personnel offer design assistance and technical support. Local distributors are also available to assist in selecting appropriate



ENGINEERED FOR MOTION

Mounting Boxes and Escutcheons

Product Name

Mounting Boxes and Escutcheons

Contact Information

MS SEDCO
7898 Zionsville Road
Indianapolis, IN 46268
Phone: (317) 842-2545
www.mssedco.com

Product Descriptions

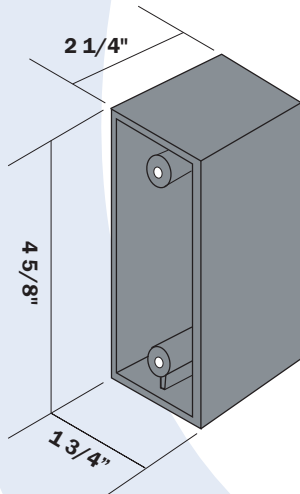
MOUNTING BOX COMPATIBILITY SUMMARY: One and Two Piece Mounting Boxes

All mounting boxes are exterior grade polycarbonate surface mounting boxes designed so the switch will recess mount for superior weather protection and to eliminate potential snagging.

ONE PIECE MOUNTING BOXES

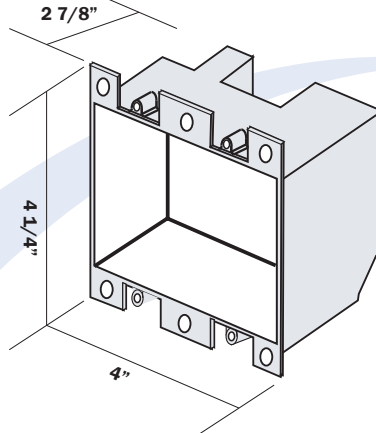
1035 Series

2" deep jamb box. Compatible with 59J Series switches and many other switches designed for jamb mount.



255R Series

2-gang recessed mount box.

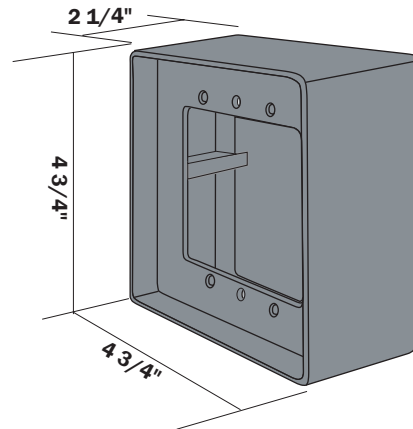


TWO PIECE MOUNTING BOXES

MS SEDCO's two piece mounting boxes are designed to make battery replacement quick and easy for wireless applications.

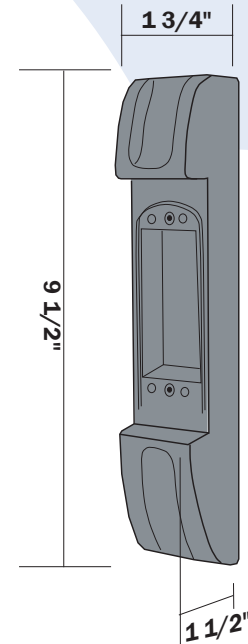
1015 Series

Compatible with 59, 59V, 1078, 216, 830 & 614 Series switches.



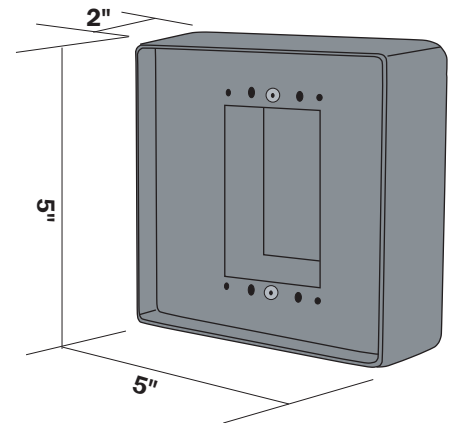
1010 Series

Compatible with 59J Series switches.



1020 Series

Compatible with 59, 216 and 614 Series switches.

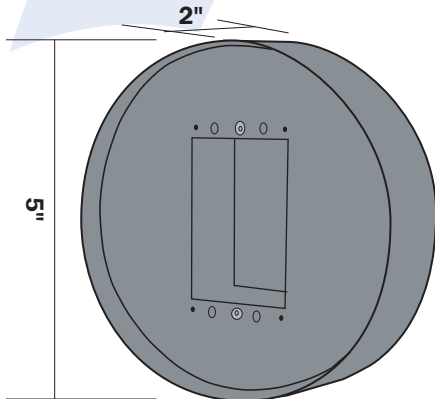


Mounting Boxes and Escutcheons

TWO PIECE MOUNTING BOXES (continued)

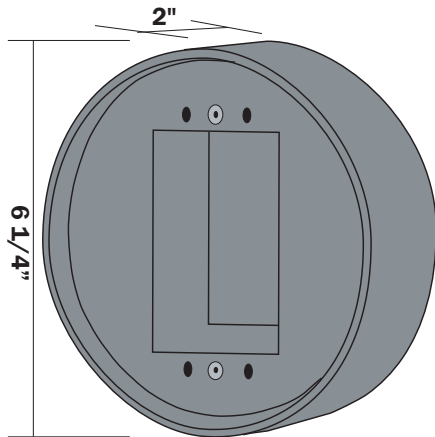
1025 Series

Round boxes compatible with all 59R4 Series switches.



1030 Series

Round boxes compatible with all 59R6 Series switches.



Decorative Escutcheons

ESC-59R4: Plate for 59R4 Series

ESC-59R6: Plate for 59R6 Series

Dress up the appearance of your MS Sedco round switch with a stainless escutcheon plate. Plates are available for the R4 and R6 switches, and can be mounted directly to the wall or to a single or 2-gang electrical box.





Product Name
ClearPath™ CP/TX

Transmitters

(Pictured with 59-H—Switches available separately or included in ClearPath Kits)

Contact Information

MS SEDCO
7898 Zionsville Road
Indianapolis, IN 46268
Phone: (317) 842-2545
Fax: (317) 849-3387
Email: custsvc@mssedco.com
www.mssedco.com

Product Description


BASIC USE

The CP/TX wall mount transmitter is part of the ClearPath Radio Control Push Plate Switch Activation System that provides the most reliable wireless activation of automatic doors available.

The CP/TX transmitter comes prewired and installed with battery in a surface mount box making installation quick and easy. The CP/TX can transmit three different frequencies. If interference is encountered on one frequency,

simply switch to one of the other frequencies to solve the problem. The CP/TX can also be used interchangeably with other manufacturer's products that operate on its frequencies as well. Only ClearPath offers this flexibility.

Technical Data

- Utilizes Proprietary High Definition Radio Control™  (HDCR™) For Unsurpassed Signal Transmission Clarity
- Three User Selectable Frequencies Available In Single Unit: HDCR™, 300 MHz, 390 MHz
- FCC License For All Three Frequencies
- SignalLock™ Guarantees Signal Transmission When Push Plate Switch Is Pressed
- Power Saving Circuitry Extends Battery Life
- Integrated Signal Radiating Antenna Boosts Signal Strength
- Transmitter And Battery Factory Prewired And Installed In Mounting Boxes
- Powered By Standard 9V Battery
- Quick Battery Access
- Sequencing Transmitter Available (CP/STX)
- Temperature Range: -4°F to 140°F (-20°C to 60°C)

DIMENSIONS

See Reverse

APPLICABLE STANDARDS

American National Standards Institute (ANSI) - Building Hardware Manufacturers Association (BHMA) - ANSI/BHMA A156.10 & A156.19.

APPROVALS

FCC
US patent 7,545,833

Availability & Cost

AVAILABILITY

Available internationally from manufacturer's authorized distributors; contact MS SEDCO for the location of nearest distributor.

COST

Cost information on MS SEDCO products is available from the manufacturer's authorized distributors.

Warranty

A one year warranty is available from the manufacturer covering defects in materials and workmanship. Contact MS SEDCO for details.

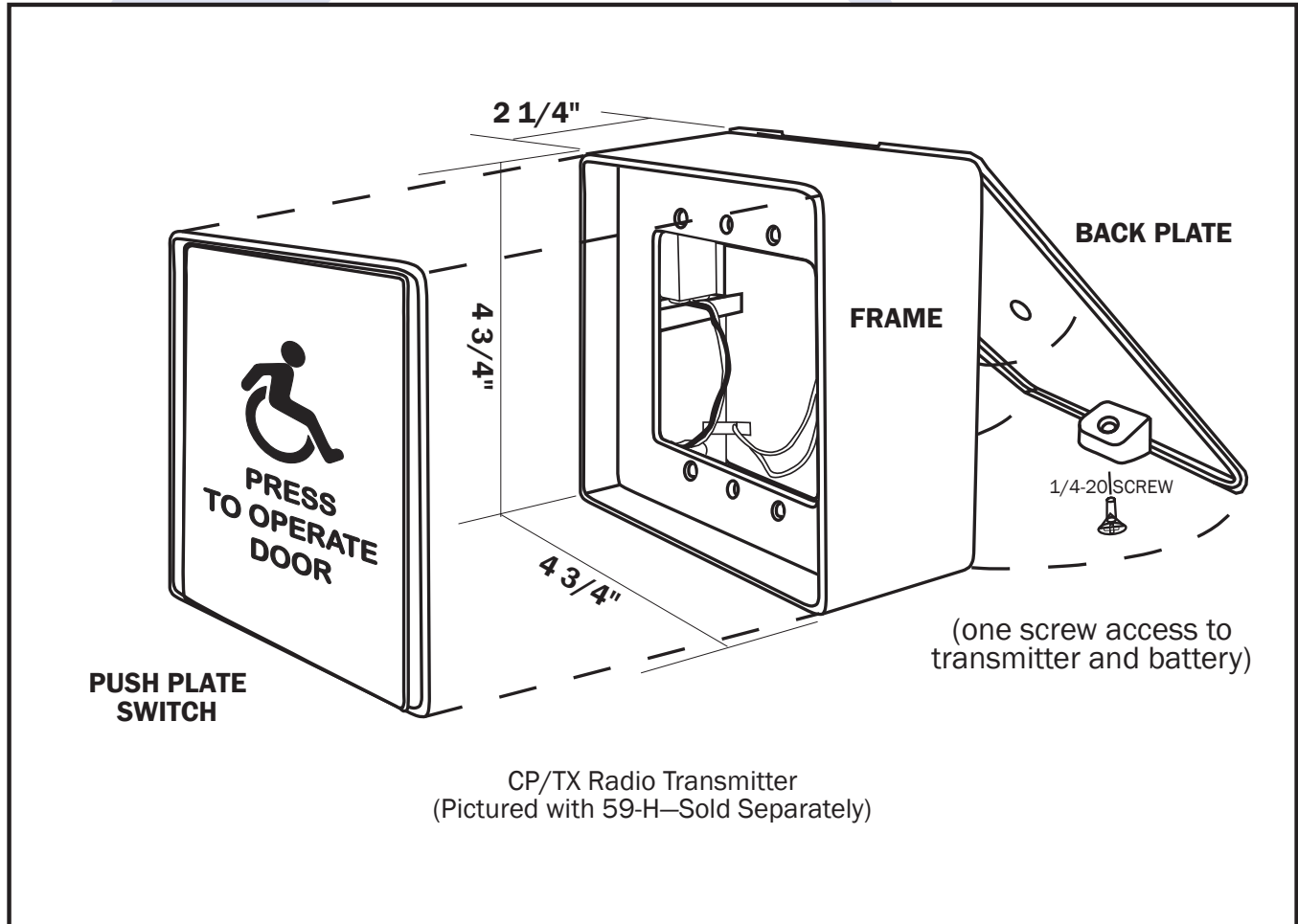
Maintenance

MS SEDCO recommends that all maintenance and adjustments be performed by an AAADM Certified Technician.

Technical Services

MS SEDCO's staff of factory trained sales and service personnel offer design assistance and technical support. Local distributors are also available to assist in selecting appropriate devices for specific uses and to provide onsite installation.

CP/TX TRANSMITTER DIAGRAM





Product Name
ClearPath™ CP/TX-J

Transmitters

(Pictured with 59J-H—Switches available separately or included in ClearPath Kits)

Contact Information

MS SEDCO
7898 Zionsville Road
Indianapolis, IN 46268
Phone: (317) 842-2545
Fax: (317) 849-3387
Email: custsvc@mssedco.com
www.mssedco.com

Product Description

BASIC USE

The CP/TX-J jamb mount transmitter is part of the ClearPath Radio Control Push Plate Switch Activation System that provides the most reliable wireless activation of automatic doors available.

The CP/TX-J transmitter comes prewired and installed with battery in a surface mount box making installation quick and easy and the entire assembly will fit on a 1 3/4" door frame.

The CP/TX-J can transmit three different frequencies. If interference is encountered on one frequency, simply switch to one of the other frequencies to solve the problem. The CP/TX-J can also be used interchangeably with other manufacturer's products that operate on its frequencies as well. Only ClearPath offers this flexibility.

Technical Data

- Utilizes Proprietary High Definition Radio Control™ (HDRC™) For Unsurpassed Signal Transmission Clarity
- Three User Selectable Frequencies Available In Single Unit: HDRC™, 300 MHz, 390 MHz
- FCC License For All Three Frequencies
- SignalLock™ Guarantees Signal Transmission When Push Plate Switch Is Pressed
- Power Saving Circuitry Extends Battery Life
- Integrated Signal Radiating Antenna Boosts Signal Strength
- Transmitter And Battery Factory Prewired And Installed In Mounting Boxes
- Powered By Standard 9V Battery
- Sequencing Transmitter Available (CP/STX-J)
- Temperature Range: -4°F to 140°F (-20°C to 60°C)



DIMENSIONS

See Reverse

APPLICABLE STANDARDS

American National Standards Institute (ANSI) - Building Hardware Manufacturers Association (BHMA) - ANSI/BHMA A156.10 & A156.19.

APPROVALS

FCC
US patent 7,545,833

Availability & Cost

AVAILABILITY

Available internationally from manufacturer's authorized distributors; contact MS SEDCO for the location of nearest distributor.

COST

Cost information on MS SEDCO products is available from the manufacturer's authorized distributors.

Warranty

A one year warranty is available from the manufacturer covering defects in materials and workmanship. Contact MS SEDCO for details.

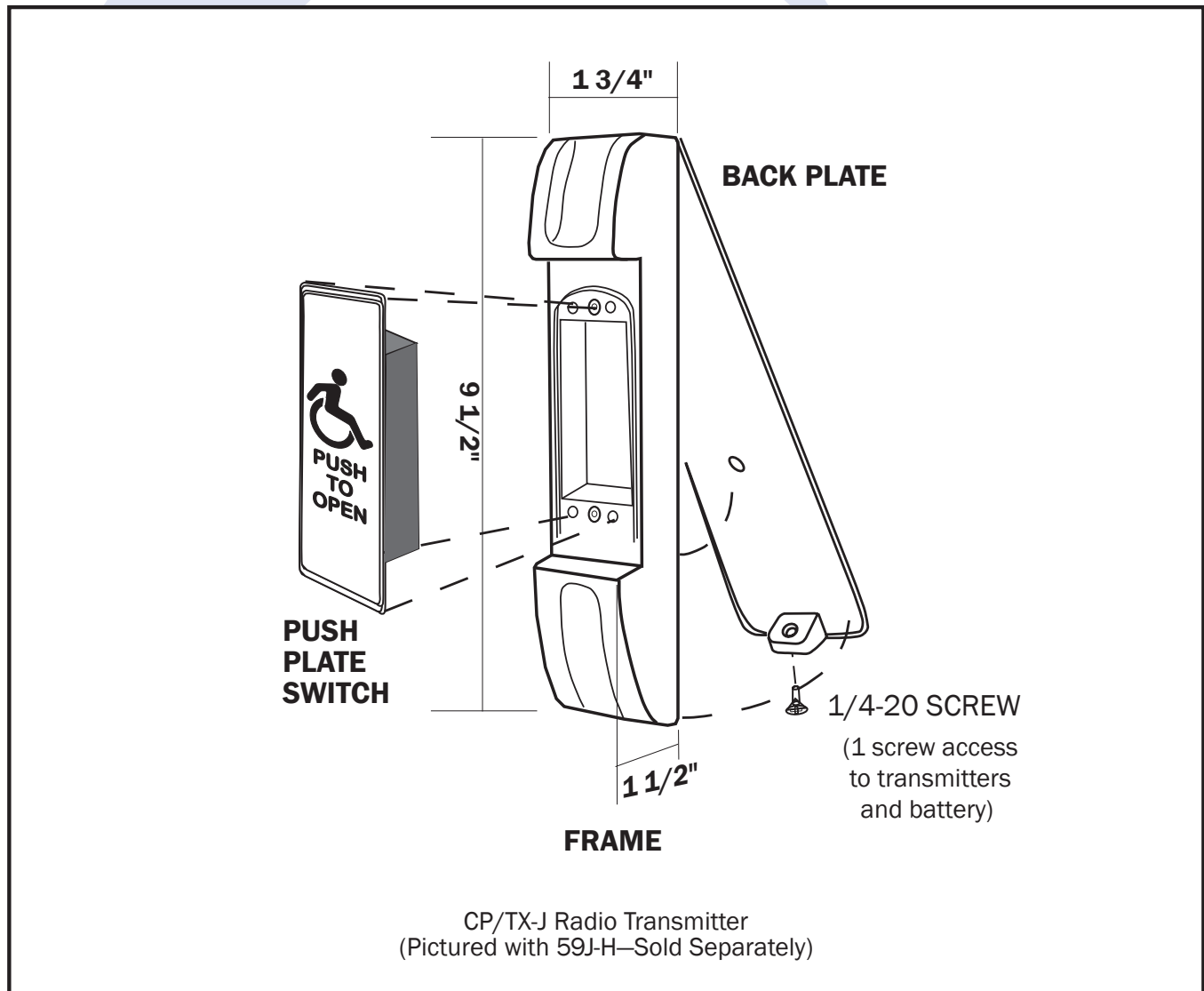
Maintenance

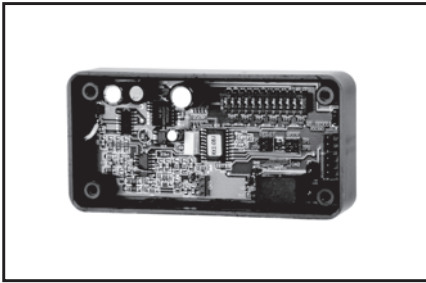
MS SEDCO recommends that all maintenance and adjustments be performed by an AAADM Certified Technician.

Technical Services

MS SEDCO's staff of factory trained sales and service personnel offer design assistance and technical support. Local distributors are also available to assist in selecting appropriate devices for specific uses and to provide onsite installation.

CP/TX-J TRANSMITTER DIAGRAM





Product Name
ClearPath™ CP/RX
Multi-Mode Receiver

Contact Information

MS SEDCO
7898 Zionsville Road
Indianapolis, IN 46268
Phone: (317) 842-2545
Fax: (317) 849-3387
Email: custsvc@mssedco.com
www.mssedco.com

Product Description

BASIC USE

The CP/RX receiver is part of the ClearPath Radio Control Push Plate Switch Activation System that provides the most reliable wireless activation of automatic doors available. All ClearPath transmitters communicate with this one receiver.

In addition to being a receiver, the CP/RX can be easily programmed to become a timer, dual receiver or a sequencing receiver.

The CP/RX accepts three different frequencies. If interference is encountered on one frequency, simply switch to one of the other frequencies to solve the problem. The CP/RX can also be used

interchangeably with other manufacturer's products that operate on its frequencies. Only ClearPath offers this flexibility.

Technical Data

- Utilizes Proprietary High Definition Radio Control™ (HDC™) For Unsurpassed Signal Transmission Clarity.
- Three User Selectable Frequencies Available in Single Unit: HDC™, 300 MHz, 390 MHz
- FCC License For All Three Frequencies
- 5 Programming Modes:
Mode 1: Standard Receiver (factory setting)
Mode 2: Receiver With Adjustable Time Delay
Mode 3:* Dual Channel Receiver
Mode 4:* Receiver With Sequenced Outputs
*Mode 5**:* Receiver With Ratchet Relay



**Modes 3 & 4 Require The RXM Add-On Module. This Module Plugs Directly Onto The CP/RX Main Circuit Board And Provides A Second Output.*

***Mode 5 Requires The RXR Add-On Module. The Module Plugs Directly Onto The CP/RX Main Circuit Board and Allows For Initial Signal To Hold Relay Closed Until A Second Signal Is Received.*

- N.O. And N.C. Contacts
- Pluggable Wire Harness
- Internal Surge Protection Wires Directly To Electric Locking Devices

- Output Contact: Form C, Rated At 3 Amps
- Power Requirements: 12V To 24V AC or DC
- Relay Contact Rating: 3 amp @ 24V AC
- Compact Size: 4"L x 2"W x 1"H
- Temperature Range: -4°F to 140°F (-20°C to 60°C)

DIMENSIONS
See Reverse

APPLICABLE STANDARDS

American National Standards Institute (ANSI) - Building Hardware Manufacturers Association (BHMA) - ANSI/BHMA A156.10 & A156.19.

APPROVALS

FCC
US patent 7,545,833

Availability & Cost

AVAILABILITY

Available internationally from manufacturer's authorized distributors; contact MS SEDCO for the location of nearest distributor.

COST

Cost information on MS SEDCO products is available from the manufacturer's authorized distributors.

ClearPath™ CP/RX Multi-Mode Receiver



ENGINEERED FOR MOTION

Warranty

A one year warranty is available from the manufacturer covering defects in materials and workmanship. Contact MS SEDCO for details.

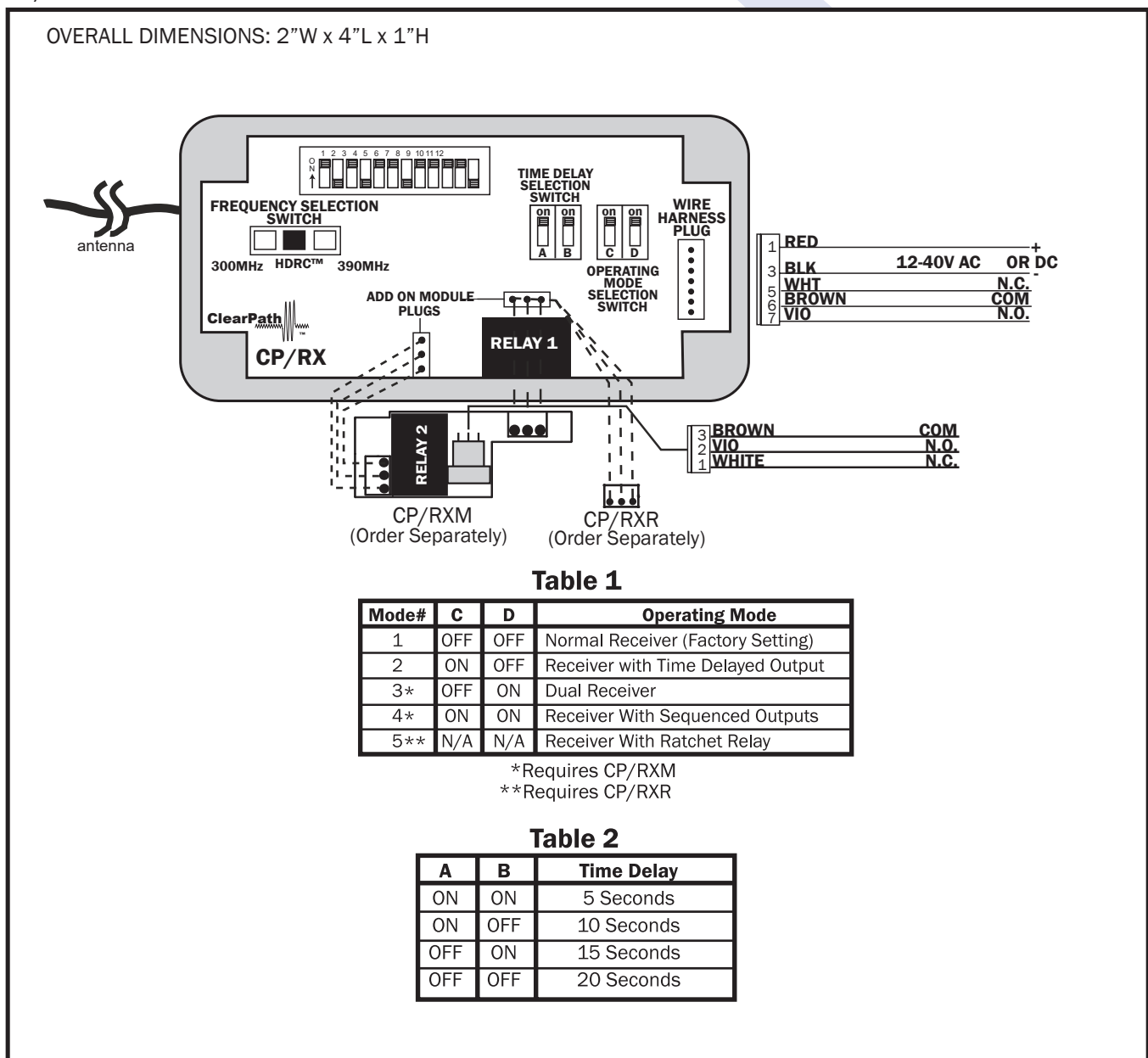
Maintenance

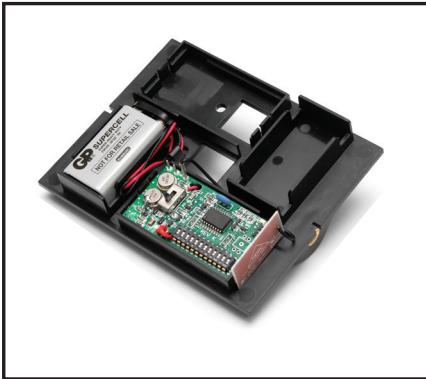
MS SEDCO recommends that all maintenance and adjustments be performed by an AAADM Certified Technician.

Technical Services

MS SEDCO's staff of factory trained sales and service personnel offer design assistance and technical support. Local distributors are also available to assist in selecting appropriate devices for specific uses and to provide onsite installation.

CP/RX RECEIVER DIAGRAMS





Product Name
ClearPath™ CP/TX-P
In-Post Transmitters

Contact Information

MS SEDCO
 7898 Zionsville Road
 Indianapolis, IN 46268
 Phone: (317) 842-2545
 Fax: (317) 849-3387
 Email: custsvc@mssedco.com
www.mssedco.com

Product Description

BASIC USE

The CP/TX-P post mount transmitter is part of the ClearPath Radio Control Push Plate Switch Activation System that provides the most reliable wireless activation of automatic doors available.

The ClearPath radio control transmitters provide reliable activation of any automatic door. When a 608 Series Bollard is ordered from the factory with a wireless option, the Bollard will come complete with the appropriate transmitter components installed in the integrated cap assembly that attaches to it.

The CP/TX-P can also be used interchangeably with other manufacturer's products that operate on its frequencies as well. Only ClearPath offers this flexibility.

Technical Data

- Utilizes Proprietary High Definition Radio Control™  (HDRC™) For Unsurpassed Signal Transmission Clarity
- Three User Selectable Frequencies Available In Single Unit: HDRC™, 300 MHz, 390 MHz
- FCC License For All Three Frequencies
- SignalLock™ Guarantees Signal Transmission When Push Plate Switch Is Pressed
- Power Saving Circuitry Extends Battery Life
- Integrated Signal Radiating Antenna Boosts Signal Strength
- Transmitter And Battery Factory Prewired And Installed In Mounting Boxes
- Powered By Standard 9V Battery
- Quick Battery Access
- Sequencing Transmitter Available (CP/STX)
- Dual Vestibule Transmitter Available (CP/TX-VP)
- Temperature Range: -4° F to 140° F (-20° C to 60° C)

DIMENSIONS

See Reverse

APPLICABLE STANDARDS

American National Standards Institute (ANSI) - Building Hardware Manufacturers Association (BHMA) - ANSI/BHMA A156.10 & A156.19.

APPROVALS

FCC
 US patent 7,545,833

Availability & Cost

AVAILABILITY

Available internationally from manufacturer's authorized distributors; contact MS SEDCO for the location of nearest distributor.

COST

Cost information on MS SEDCO products is available from the manufacturer's authorized distributors.

Warranty

A one year warranty is available from the manufacturer covering defects in materials and workmanship. Contact MS SEDCO for details.

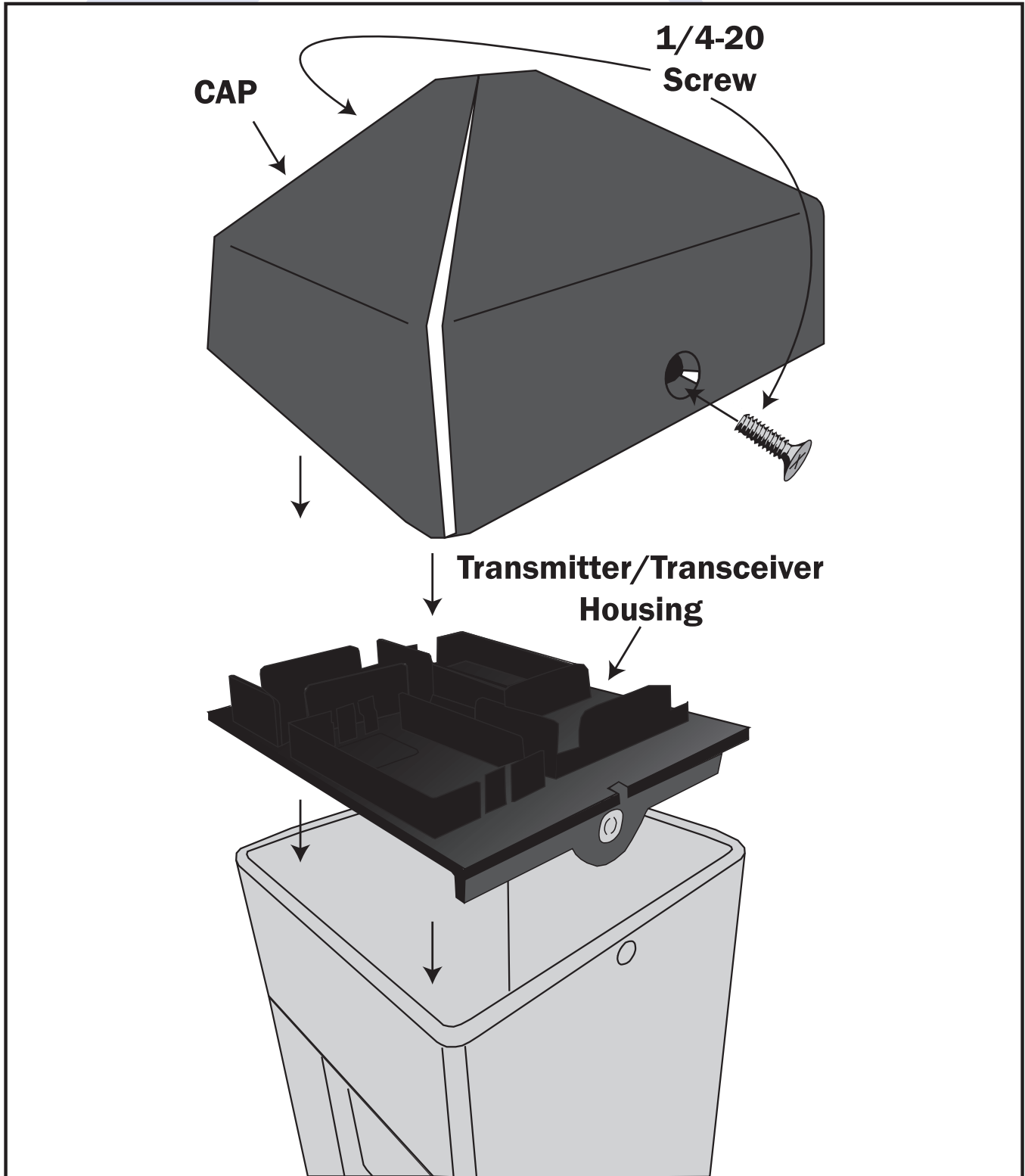
Maintenance

MS SEDCO recommends that all maintenance and adjustments be performed by an AAADM Certified Technician.

Technical Services

MS SEDCO's staff of factory trained sales and service personnel offer design assistance and technical support. Local distributors are also available to assist in selecting appropriate devices for specific uses and to provide onsite installation.

CP/TX-P TRANSMITTER DIAGRAM





Product Name
ClearPath™ CP/STX

Transmitters

(Pictured with 59-H—Switches available separately or included in ClearPath Kits)

Contact Information

MS SEDCO
7898 Zionsville Road
Indianapolis, IN 46268
Phone: (317) 842-2545
Fax: (317) 849-3387
Email: custsvc@mssedco.com
www.mssedco.com

Product Description

BASIC USE

The CP/STX wall mount transmitter is part of the ClearPath Radio Control Push Plate Switch Activation System that provides the most reliable wireless activation of automatic doors available.

The ClearPath™ sequencing radio control transmitters provide reliable activation of two automatic doors. They share the same PCB as the standard transmitter, however each sequencing version has a software upgrade that enables them to

transmit two separate signals with an adjustable delay between them in order to sequence vestibule doors one after the other from either direction. Several styles are available - each comes with a sequencing transmitter PCB, antennas and battery completely assembled in a surface mounting box.

CP/STX = Sequencing version of the CP/STX (Use with 59 Series Switches)

CP/STX-R4 = Sequencing version of the CP/STX-R4 (Use with 59R4 Series Switches)

CP/STX-R6 = Sequencing version of the CP/STX-R6 (Use with 59R6 Series Switches)

CP/STX-J = Sequencing version of the CP/STX-J (Use with 59J Series Switches)

CP/STX-P = Sequencing version of the CP/STX-P (Use with 608 Series Bollards)

All ClearPath sequencing transmitters have 3 selectable frequencies - High Definition Radio Control™ (HDRC™), 300 MHz and 390 MHz. A simple slide switch allows them to be used interchangeably with past MS SEDCO and other competitor's products utilizing these frequencies.

Technical Data

- Utilizes Proprietary High Definition Radio Control™ (HDRC™) For Unsurpassed Signal Transmission Clarity
- Three User Selectable Frequencies Available In Single Unit: HDRC™, 300 MHz, 390 MHz
- FCC License For All Three Frequencies
- SignalLock™ Guarantees Signal Transmission When Push Plate Switch Is Pressed
- Power Saving Circuitry Extends Battery Life
- Integrated Signal Radiating Antenna Boosts Signal Strength
- Transmitter And Battery Factory Prewired And Installed In Mounting Boxes
- Powered By Standard 9V Battery
- Quick Battery Access
- Sequencing Transmitter Available (CP/STX)
- Temperature Range: -4°F to 140°F (-20°C to 60°C)



DIMENSIONS

See Reverse

ClearPath™ CP/STX Sequencing Transmitters



APPLICABLE STANDARDS

American National Standards Institute (ANSI) - Building Hardware Manufacturers Association (BHMA) - ANSI/BHMA A156.10 & A156.19.

APPROVALS

FCC

US patent 7,545,833

Availability & Cost

AVAILABILITY

Available internationally from manufacturer's authorized distributors; contact MS SEDCO for the location of nearest distributor.

COST

Cost information on MS SEDCO products is available from the manufacturer's authorized distributors.

Warranty

A one year warranty is available from the manufacturer covering defects in materials and workmanship. Contact MS SEDCO for details.

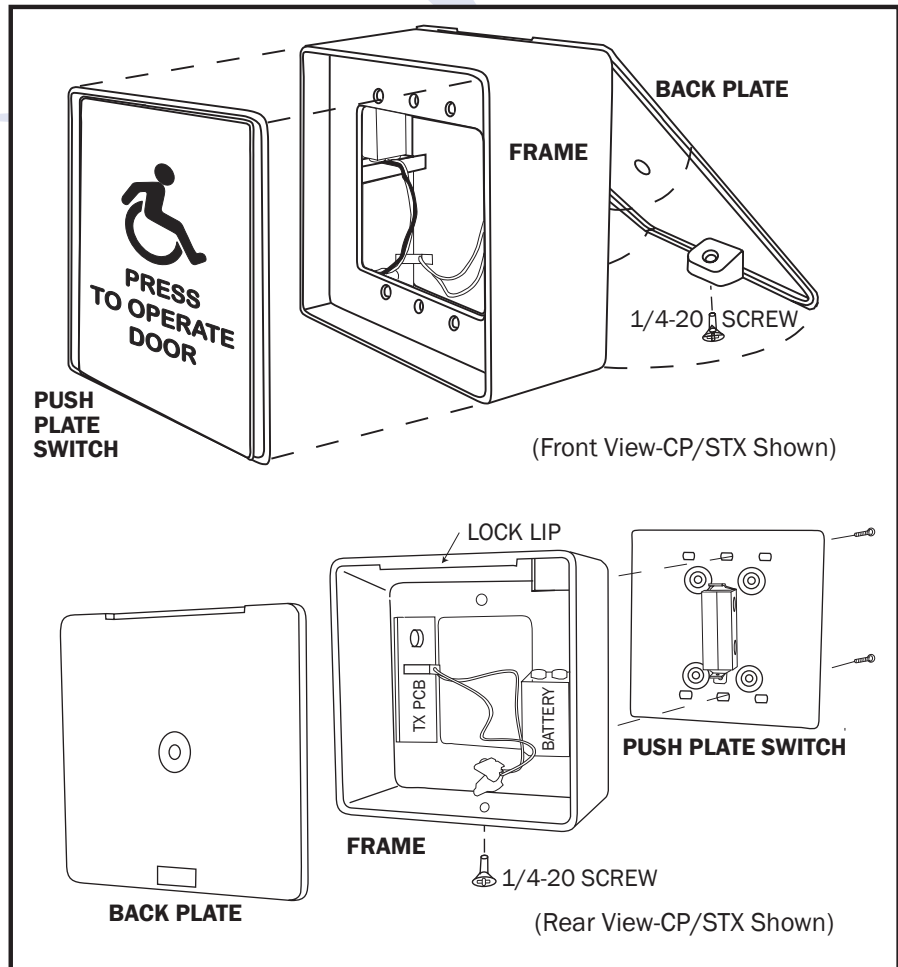
Maintenance

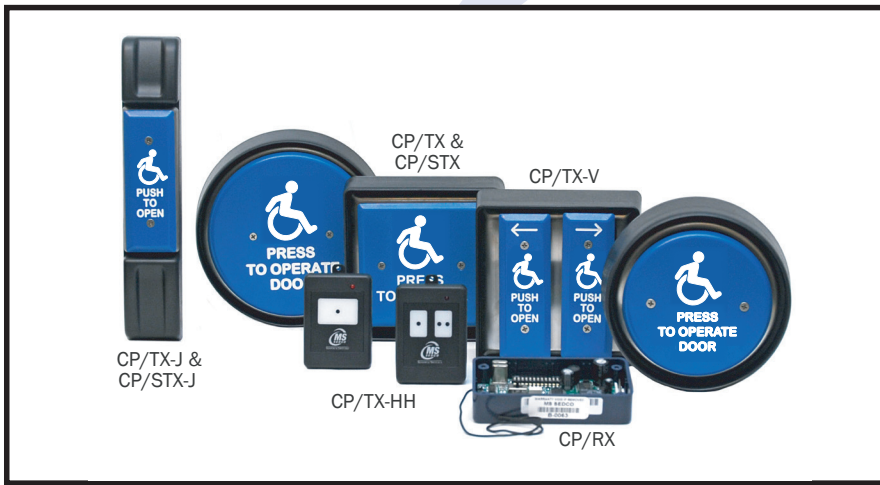
MS SEDCO recommends that all maintenance and adjustments be performed by an AAADM Certified Technician.

Technical Services

MS SEDCO's staff of factory trained sales and service personnel offer design assistance and technical support. Local distributors are also available to assist in selecting appropriate devices for specific uses and to provide onsite installation.

CP/STX TRANSMITTER DIAGRAM





Product Name
ClearPath™ Radio Control Vestibule System

(Switches available separately or included in ClearPath Kits)

Contact Information

MS SEDCO
7898 Zionsville Road
Indianapolis, IN 46268
Phone: (317) 842-2545
Fax: (317) 849-3387
Email: custsvc@mssedco.com
www.mssedco.com

Product Description

BASIC USE
The ClearPath vestibule system provides reliable wireless sequenced activation of automatic vestibule doors.

The CP/STX and CP/STX-J receive a programming upgrade from the basic transmitters that enables them to be sequencing transmitters. They mount on the interior and exterior of the vestibule entrance and are capable of transmitting two separate signals with an

adjustable time delay between them to sequence vestibule doors one after the other from either direction.

The CP/TX-V is a dual transmitter that mounts in the vestibule between the doors allowing independent activation of each door.

Radio Control Components for the ClearPath Vestibule System (See Diagram):

Interior: 1-CP/STX (wall mount) or 1-CP/STX-J (door jamb mount) Sequencer

Inside Vestibule: 1-CP/TX-V Dual Transmitter

Exterior: 1-CP/STX (wall mount) or 1-CP/STX-J (door jamb mount) Sequencer

Interior Door Operator: 1-CP/RX Receiver

Exterior Door Operator: 1-CP/RX Receiver

**ClearPath transmitters & sequencers require push plate switches that are sold separately.*

Technical Data

- Utilizes Proprietary High Definition Radio Control™



- (HDRC™) For Unsurpassed Signal Transmission Clarity
- Three User Selectable Frequencies Available In Single Unit: HDRC™, 300 MHz, 390 MHz
- FCC License For All Three Frequencies
- SignalLock™ Guarantees Signal Transmission When Push Plate Switch Is Pressed
- Power Saving Circuitry Extends Battery Life
- Integrated Signal Radiating Antenna Boosts Signal Strength
- Vestibule Transmitters Sequence Two Doors With User Adjustable Time Delay Between Signals Of 3, 5 or 10 Seconds
- Transmitter And Battery Factory Prewired And Installed In Mounting Boxes
- Powered By Standard 9V Battery
- Temperature Range: -4 °F to 140 °F (-20 °C to 60 °C)

DIMENSIONS

See Reverse

APPLICABLE STANDARDS

American National Standards Institute (ANSI) - Building Hardware Manufacturers Association (BHMA) - ANSI/BHMA A156.10 & A156.19.

APPROVALS

FCC
US patent 7,545,833

Availability & Cost

AVAILABILITY
Available internationally from manufacturer's authorized distributors; contact MS SEDCO for the location of nearest distributor.

ClearPath™ Radio Control Vestibule System



ENGINEERED FOR MOTION

COST

Cost information on MS SEDCO products is available from the manufacturer's authorized distributors.

Warranty

A one year warranty is available from the manufacturer covering defects in materials and workmanship. Contact MS SEDCO for details.

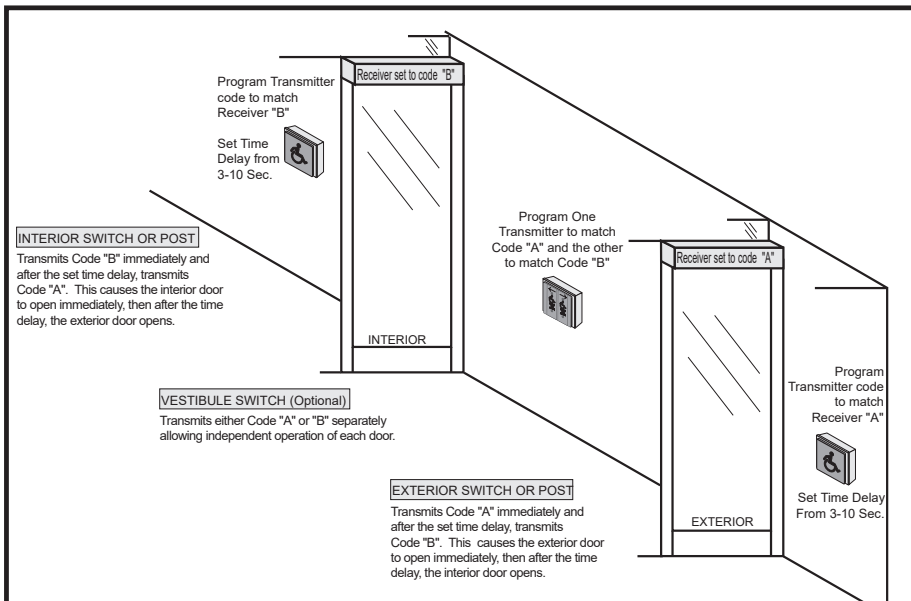
Maintenance

MS SEDCO recommends that all maintenance and adjustments be performed by an AAADM Certified Technician.

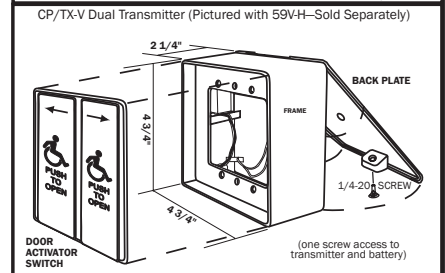
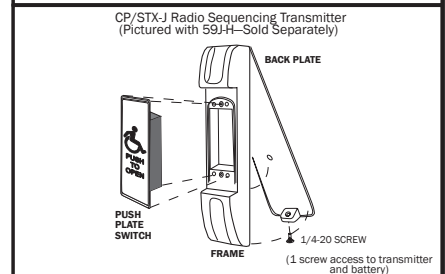
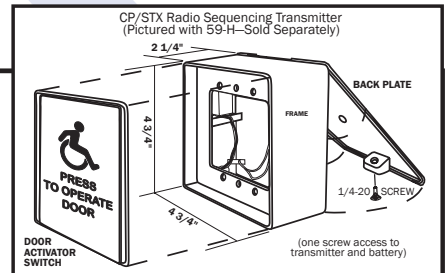
Technical Services

MS SEDCO's staff of factory trained sales and service personnel offer design assistance and technical support. Local distributors are also available to assist in selecting appropriate devices for specific uses and to provide onsite installation.

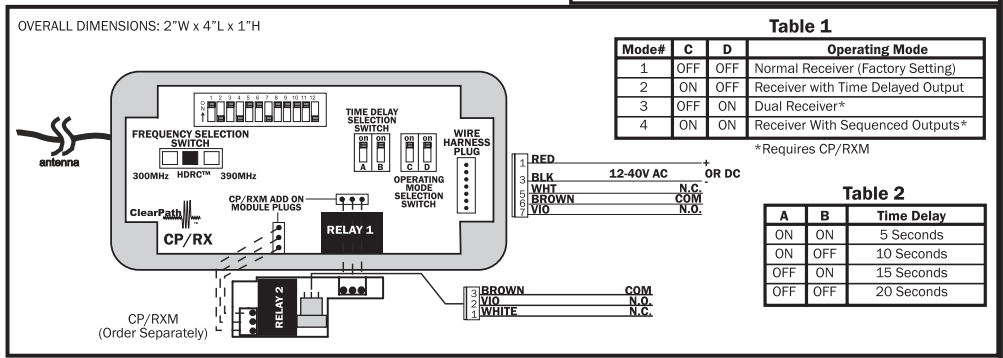
ClearPath VESTIBULE SYSTEM DIAGRAM



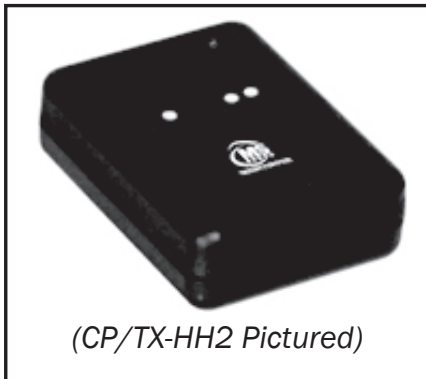
TRANSMITTER DIMENSIONAL DIAGRAMS



RECEIVER DIAGRAM



112017



Product Name
ClearPath™ CP/TX-HH
Hand-Held Transmitters

Contact Information
MS SEDCO
7898 Zionsville Road
Indianapolis, IN 46268
Phone: (317) 842-2545
Fax: (317) 849-3387
Email: custsvc@mssedco.com
www.mssedco.com


Product Description
BASIC USE

The CP/TX-HH hand-held micro-transmitters are available in either a one button (CP/TX-HH1) or two button (CP-TX-HH2) versions and are a part of the ClearPath Radio Control Door Activation System that provides the most reliable wireless activation of automatic doors available.

The CP/TX-HH hand-held micro-transmitters are small enough to wear as a necklace yet have large, easy to activate buttons. The CP/TX-HH can

transmit three different frequencies. If interference is encountered on one frequency, simply switch to one of the other frequencies to solve the problem. The CP/TX-HH can also be used interchangeably with other manufacturer's products that operate on its frequencies as well. Only ClearPath offers this flexibility.

Technical Data

- Utilizes Proprietary High Definition Radio Control™  (HDRC™) For Unsurpassed Signal Transmission Clarity
- Three User Selectable Frequencies Available In Single Unit: HDRC™, 300 MHz, 390 MHz
- FCC License For All Three Frequencies
- SignalLock™ Guarantees Signal Transmission When Door Activator Switch Is Pressed
- Power Saving Circuitry Extends Battery Life
- Compact Overall Size with Large Activation Buttons
- One (CP/TX-HH1) and Two (CP/TX-HH2) Buttons Available
- Temperature Range: -4°F to 140°F (-20°C to 60°C)

DIMENSIONS
See Reverse

APPLICABLE STANDARDS
American National Standards Institute (ANSI) - Building Hardware Manufacturers Association (BHMA) - ANSI/BHMA A156.10 & A156.19.

APPROVALS
FCC
US patent 7,545,833

Availability & Cost

AVAILABILITY
Available internationally from manufacturer's authorized distributors; contact MS SEDCO for the location of nearest distributor.

COST

Cost information on MS SEDCO products is available from the manufacturer's authorized distributors.

Warranty

A one year warranty is available from the manufacturer covering defects in materials and workmanship. Contact MS SEDCO for details.

Maintenance

MS SEDCO recommends that all maintenance and adjustments be performed by an AAADM Certified Technician.

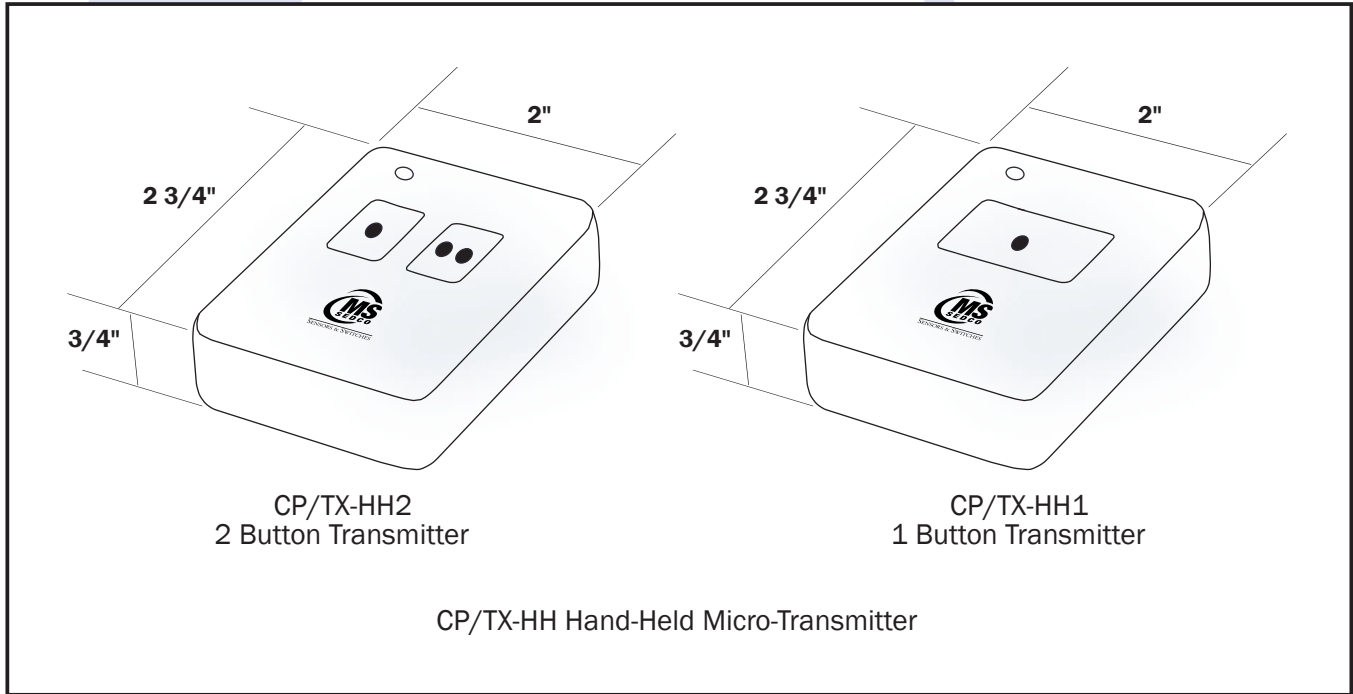
Technical Services

MS SEDCO's staff of factory trained sales and service personnel offer design assistance and technical support. Local distributors are also available to assist in selecting appropriate devices for specific uses and to provide onsite installation.

ClearPath™ CP/TX-HH Hand-Held Transmitters



CP/TX-HH TRANSMITTER DIAGRAMS





Product Name
ClearPath™ S-TRX

Transceivers

(Pictured with 59-H—Switches available separately or included in ClearPath Spectrum Kits)

Contact Information

MS SEDCO
7898 Zionsville Road
Indianapolis, IN 46268
Phone: (317) 842-2545
Fax: (317) 849-3387
Email: custsvc@mssedco.com
www.mssedco.com

Product Description

BASIC USE

The S-TRX Transceiver is a part of the ClearPath Spectrum Wireless System. When used in conjunction with the S-COR Coordinator, the S-TRX functions in a similar role as traditional wireless transmitters, but this is where the similarities end. The Spectrum Wireless System provides several industry firsts:

- Digital two-way communication allows for greater security and ensures successful signal transmission between devices.
- LCD screen (S-COR) for quick and easy programming.

- Upon switch activation, the Transceivers communicate valuable information that is displayed on the LCD screen including: device ID, signal strength and battery monitoring.
- Pairing of multiple Transceivers with Coordinators.
- Two built-in outputs (S-COR).
- 3 year battery life (S-TRX).

ClearPath Spectrum products operate at 2.4 GHz, making the wave length more than 5 times shorter than commonly-used frequencies. Shorter waves pass through cracks and barriers easier, and transceivers will continue to attempt to contact the Coordinator until it receives an acknowledgment.

OPTIONS:

- S-TRX =**
Spectrum Transceiver with 1020 Square Mounting Box
- S-TRX-R4 =**
Spectrum Transceiver with 1025 Round Mounting Box
- S-TRX-R6 =**
Spectrum Transceiver with 1030 Round Mounting Box
- S-TRX-J =**
Spectrum Transceiver with 1010 Jamb Mounting Box

DIMENSIONS
See Reverse

APPLICABLE STANDARDS

American National Standards Institute (ANSI) - Building Hardware Manufacturers Association (BHMA) - ANSI/BHMA A156.10 & A156.19.

APPROVALS
FCC

Availability & Cost

AVAILABILITY

Available internationally from manufacturer's authorized distributors; contact MS SEDCO for the location of nearest distributor.

COST

Cost information on MS SEDCO products is available from the manufacturer's authorized distributors.

Warranty

A one year warranty is available from the manufacturer covering defects in materials and workmanship. Contact MS SEDCO for details.

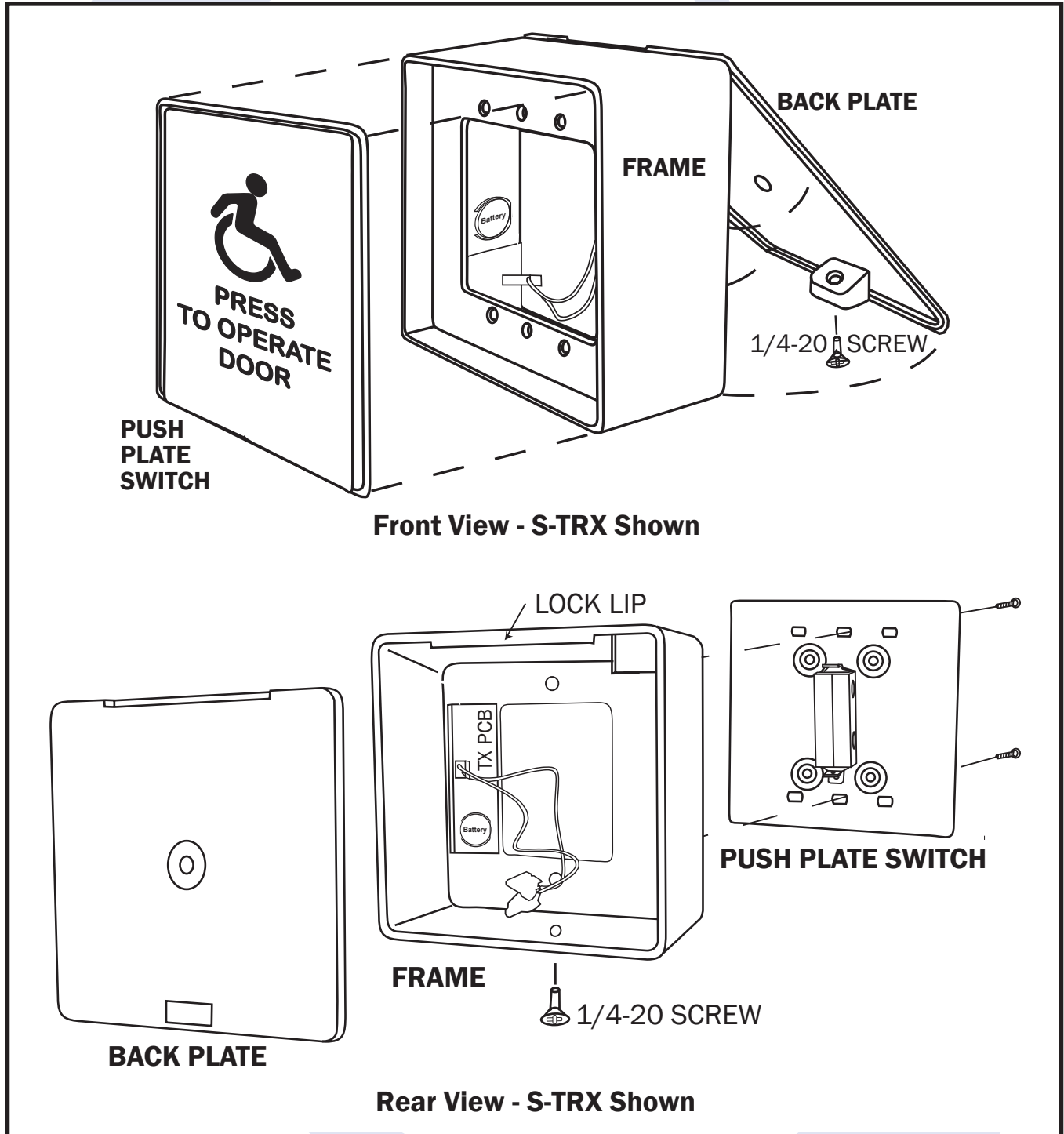
Maintenance

MS SEDCO recommends that all maintenance and adjustments be performed by an AAADM Certified Technician.

Technical Services

MS SEDCO's staff of factory trained sales and service personnel offer design assistance and technical support. Local distributors are also available to assist in selecting appropriate devices for specific uses and to provide onsite installation.

S-TRX (-R4, -R6, -J) TRANSCEIVER DIAGRAM





Product Name

ClearPath™ S-TRX-J

Spectrum Jamb Mount Transceiver

Contact Information

MS SEDCO

7898 Zionsville Road
Indianapolis, IN 46268

Phone: (317) 842-2545

Fax: (317) 849-3387

Email: custsvc@mssedco.com

www.mssedco.com

Product Description

BASIC USE

The S-TRX-J Transceiver is a part of the ClearPath Spectrum Wireless System. When used in conjunction with the S-COR Coordinator, the S-TRX-J functions in a similar role as traditional wireless transmitters, but this is where the similarities end. The Spectrum Wireless System provides several industry firsts:

- Digital two-way communication allows for greater security and ensures successful signal transmission between devices.
- LCD screen (S-COR) for quick and easy programming.

- Upon switch activation, the Transceivers communicate valuable information that is displayed on the LCD screen including: device ID, signal strength and battery monitoring.
- Pairing of multiple Transceivers with Coordinators.
- Two built-in outputs (S-COR).
- 3 year battery life (S-TRX-J).

ClearPath Spectrum products operate at 2.4 GHz, making the wave length more than 5 times shorter than commonly-used frequencies. Shorter waves pass through cracks and barriers easier, and transceivers will continue to attempt to contact the Coordinator until it receives an acknowledgement.

OPTIONS:

OPTIONS:

S-TRX-J = Spectrum Transceiver with 1010 Jamb Mounting Box -

DIMENSIONS

See Reverse

APPLICABLE STANDARDS

American National Standards Institute (ANSI) - Building Hardware Manufacturers Association (BHMA) - ANSI/BHMA A156.10 & A156.19.

APPROVALS

FCC

Availability & Cost

AVAILABILITY

Available internationally from manufacturer's authorized distributors; contact MS SEDCO for the location of nearest distributor.

COST

Cost information on MS SEDCO products is available from the manufacturer's authorized distributors.

Warranty

A one year warranty is available from the manufacturer covering defects in materials and workmanship. Contact MS SEDCO for details.

Maintenance

MS SEDCO recommends that all maintenance and adjustments be performed by an AAADM Certified Technician.

Technical Services

MS SEDCO's staff of factory trained sales and service personnel offer design assistance and technical support. Local distributors are also available to assist in selecting appropriate devices for specific uses and to provide onsite installation.



ENGINEERED FOR MOTION

This page intentionally left blank.

**Product Name**
ClearPath™ S-COR*Spectrum Coordinator***Contact Information**

MS SEDCO
7898 Zionsville Road
Indianapolis, IN 46268
Phone: (317) 842-2545
Fax: (317) 849-3387
Email: custsvc@mssedco.com
www.mssedco.com

Product Description**BASIC USE**

The S-COR Coordinator is a part of the ClearPath Spectrum Wireless System. When used in conjunction with the S-TRX transceiver, or a NexGen wireless actuator, the S-COR Coordinator functions in a similar role as traditional wireless system receivers. This is where the similarities end. The Spectrum Wireless System provides several industry firsts:

- Digital two-way communication allows for greater security and ensures successful signal transmission between devices.
- LCD screen (S-COR) for quick and easy programming.

- Upon switch activation, the Transceivers communicate valuable information that is displayed on the LCD screen including: device ID, signal strength and battery monitoring.
- Pairing of multiple Transceivers with Coordinators.
- Two built-in outputs (S-COR).
- 3 year battery life (S-TRX).
- 5 year battery life for NexGen wireless actuators (NGS-IR-A, NGS-CT-HSS, and NGS-CT-P).

ClearPath Spectrum products operate at 2.4 GHz, making the wave length more than 5 times shorter than commonly-used frequencies. Shorter waves pass through cracks and barriers easier, and transceivers will continue to attempt to contact the Coordinator until it receives an acknowledgement.

DIMENSIONS*See Reverse***APPLICABLE STANDARDS**

American National Standards Institute (ANSI) - Building Hardware Manufacturers Association (BHMA)
- ANSI/BHMA A156.10 & A156.19.

APPROVALS

FCC

Availability & Cost**AVAILABILITY**

Available internationally from manufacturer's authorized distributors; contact MS SEDCO for the location of nearest distributor.

COST

Cost information on MS SEDCO products is available from the manufacturer's authorized distributors.

Warranty

A one year warranty is available from the manufacturer covering defects in materials and workmanship. Contact MS SEDCO for details.

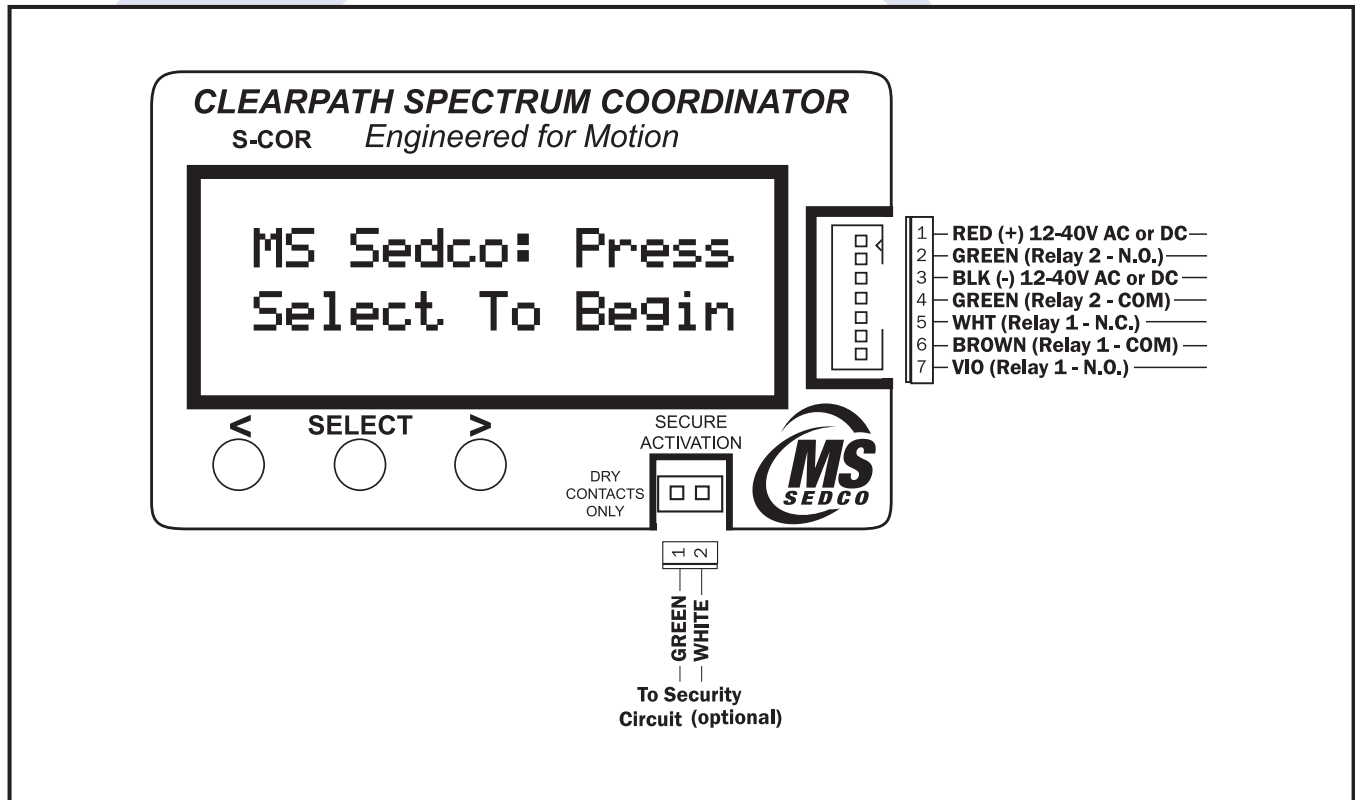
Maintenance

MS SEDCO recommends that all maintenance and adjustments be performed by an AAADM Certified Technician.

Technical Services

MS SEDCO's staff of factory trained sales and service personnel offer design assistance and technical support. Local distributors are also available to assist in selecting appropriate devices for specific uses and to provide onsite installation.

S-COR WIRING DIAGRAM





ClearPath™ S-TRX-HH Spectrum Transceiver Hand Held & Retrofit

ENGINEERED FOR MOTION



Product Name ClearPath™ S-TRX-HH

Spectrum Transceiver Hand Held & Retrofit

Contact Information

MS SEDCO
7898 Zionsville Road
Indianapolis, IN 46268
Phone: (317) 842-2545
Fax: (317) 849-3387
Email: custsvc@mssedco.com
www.mssedco.com

Product Description

BASIC USE

The S-TRX-HH Transceiver is a part of the ClearPath Spectrum Wireless System. When used in conjunction with the S-COR Coordinator, the S-TRX-HH functions in a similar role as traditional wireless transmitters, but this is where the similarities end. The Spectrum Wireless System provides several industry firsts:

- Digital two-way communication allows for greater security and ensures successful signal transmission between devices.
- LCD screen (S-COR) for quick and easy programming.

- Upon switch activation, the Transceivers communicate valuable information that is displayed on the LCD screen including: device ID, signal strength and battery monitoring.
- Pairing of multiple Transceivers with Coordinators.
- Two built-in outputs (S-COR).
- 3 year battery life (S-TRX-HH).

ClearPath Spectrum products operate at 2.4 GHz, making the wave length more than 5 times shorter than commonly-used frequencies. Shorter waves pass through cracks and barriers easier, and transceivers will continue to attempt to contact the Coordinator until it receives an acknowledgment.

OPTIONS:

OPTIONS:

S-TRX-HH = Hand-Held Spectrum Transceiver with Button

S-TRX-12 = Spectrum Transceiver with 12" Wires for Connection to Products by Others

DIMENSIONS

See Reverse

APPLICABLE STANDARDS

American National Standards Institute (ANSI) - Building Hardware Manufacturers Association (BHMA) - ANSI/BHMA A156.10 & A156.19.

APPROVALS

FCC

Availability & Cost

AVAILABILITY

Available internationally from manufacturer's authorized distributors; contact MS SEDCO for the location of nearest distributor.

COST

Cost information on MS SEDCO products is available from the manufacturer's authorized distributors.

Warranty

A one year warranty is available from the manufacturer covering defects in materials and workmanship. Contact MS SEDCO for details.

Maintenance

MS SEDCO recommends that all maintenance and adjustments be performed by an AAADM Certified Technician.

Technical Services

MS SEDCO's staff of factory trained sales and service personnel offer design assistance and technical support. Local distributors are also available to assist in selecting appropriate devices for specific uses and to provide onsite installation.



ENGINEERED FOR MOTION

This page intentionally left blank.

ClearPath™ S-TRX-V 2 Spectrum Transceivers with 1015 Square Mounting Box



Product Name

ClearPath™ S-TRX-V

2 Spectrum Transceivers with 1015 Square Mounting Box

(Pictured with 59V-H—Switches available separately or included in ClearPath Spectrum Kits)

Contact Information

MS SEDCO
7898 Zionsville Road
Indianapolis, IN 46268
Phone: (317) 842-2545
Fax: (317) 849-3387
Email: custsvc@mssedco.com
www.mssedco.com

Product Description

BASIC USE

The S-TRX-V Transceiver is a part of the ClearPath Spectrum Wireless System. When used in conjunction with the S-COR Coordinator, the S-TRX-V functions in a similar role as traditional wireless transmitters, but this is where the similarities end. The Spectrum Wireless System provides several industry firsts:

- Digital two-way communication allows for greater security and ensures successful signal transmission between devices.
- LCD screen (S-COR) for quick and easy programming.

- Upon switch activation, the Transceivers communicate valuable information that is displayed on the LCD screen including: device ID, signal strength and battery monitoring.
- Pairing of multiple Transceivers with Coordinators.
- Two built-in outputs (S-COR).
- 3 year battery life (S-TRX).

ClearPath Spectrum products operate at 2.4 GHz, making the wave length more than 5 times shorter than commonly-used frequencies. Shorter waves pass through cracks and barriers easier, and transceivers will continue to attempt to contact the Coordinator until it receives an acknowledgment.

OPTIONS:

OPTIONS:

S-TRX-V = 2 Spectrum Transceivers with 1015 Square Mounting Box.

DIMENSIONS

See Reverse

APPLICABLE STANDARDS

American National Standards Institute (ANSI) - Building Hardware Manufacturers Association (BHMA) - ANSI/BHMA A156.10 & A156.19.

APPROVALS

FCC

Availability & Cost

AVAILABILITY

Available internationally from manufacturer's authorized distributors; contact MS SEDCO for the location of nearest distributor.

COST

Cost information on MS SEDCO products is available from the manufacturer's authorized distributors.

Warranty

A one year warranty is available from the manufacturer covering defects in materials and workmanship. Contact MS SEDCO for details.

Maintenance

MS SEDCO recommends that all maintenance and adjustments be performed by an AAADM Certified Technician.

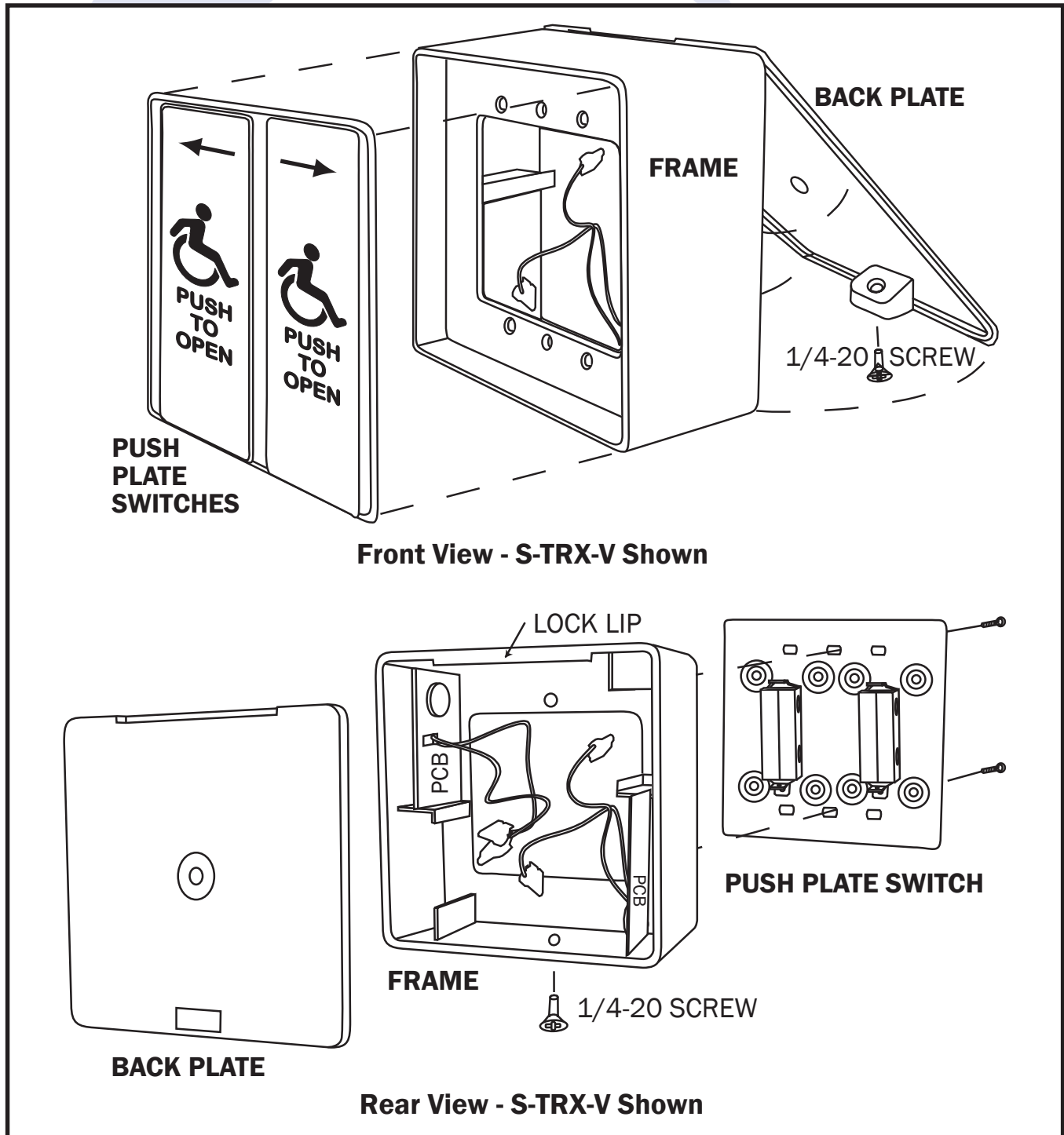
Technical Services

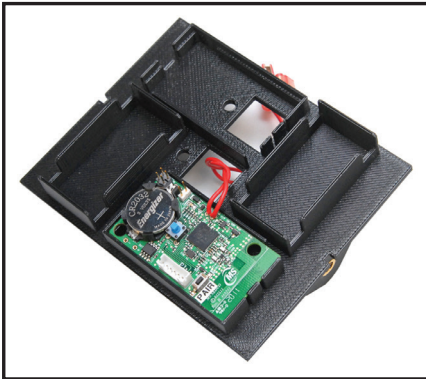
MS SEDCO's staff of factory trained sales and service personnel offer design assistance and technical support. Local distributors are also available to assist in selecting appropriate devices for specific uses and to provide onsite installation.

ClearPath™ S-TRX-V
2 Spectrum Transceivers with 1015 Square Mounting Box

ENGINEERED FOR MOTION

S-TRX-V (-R4, -R6, -J) TRANSCEIVER DIAGRAM





Product Name
ClearPath™ S-TRX-P

Post Transceiver

Contact Information

MS SEDCO
7898 Zionsville Road
Indianapolis, IN 46268
Phone: (317) 842-2545
Fax: (317) 849-3387
Email: custsvc@mssedco.com
www.mssedco.com

Product Description

BASIC USE

The S-TRX-P Transceiver is a part of the ClearPath Spectrum Wireless System. It is designed for use with our 608 series heavy duty switch posts.

When used in conjunction with the S-COR Coordinator, the S-TRX-P functions in a similar role as traditional wireless transmitters, but this is where the similarities end. The Spectrum Wireless System provides several industry firsts:

- Digital two-way communication allows for greater security and ensures successful signal transmission between devices.

- LCD screen (S-COR) for quick and easy programming.
- Upon switch activation, the Transceivers communicate valuable information that is displayed on the LCD screen including: device ID, signal strength and battery monitoring.
- Pairing of multiple Transceivers with Coordinators.
- Two built-in outputs (S-COR).
- Dual vestibule transmitter available (S-TRX-VP)
- 3 year battery life (S-TRX).

ClearPath Spectrum products operate at 2.4 GHz, making the wave length more than 5 times shorter than commonly-used frequencies. Shorter waves pass through cracks and barriers easier, and transceivers will continue to attempt to contact the Coordinator until it receives an acknowledgement.

DIMENSIONS

See Reverse

APPLICABLE STANDARDS

American National Standards Institute (ANSI) - Building Hardware Manufacturers Association (BHMA) - ANSI/BHMA A156.10 & A156.19.

APPROVALS

FCC

Availability & Cost

AVAILABILITY

Available internationally from manufacturer's authorized distributors; contact MS SEDCO for the location of nearest distributor.

COST

Cost information on MS SEDCO products is available from the manufacturer's authorized distributors.

Warranty

A one year warranty is available from the manufacturer covering defects in materials and workmanship. Contact MS SEDCO for details.

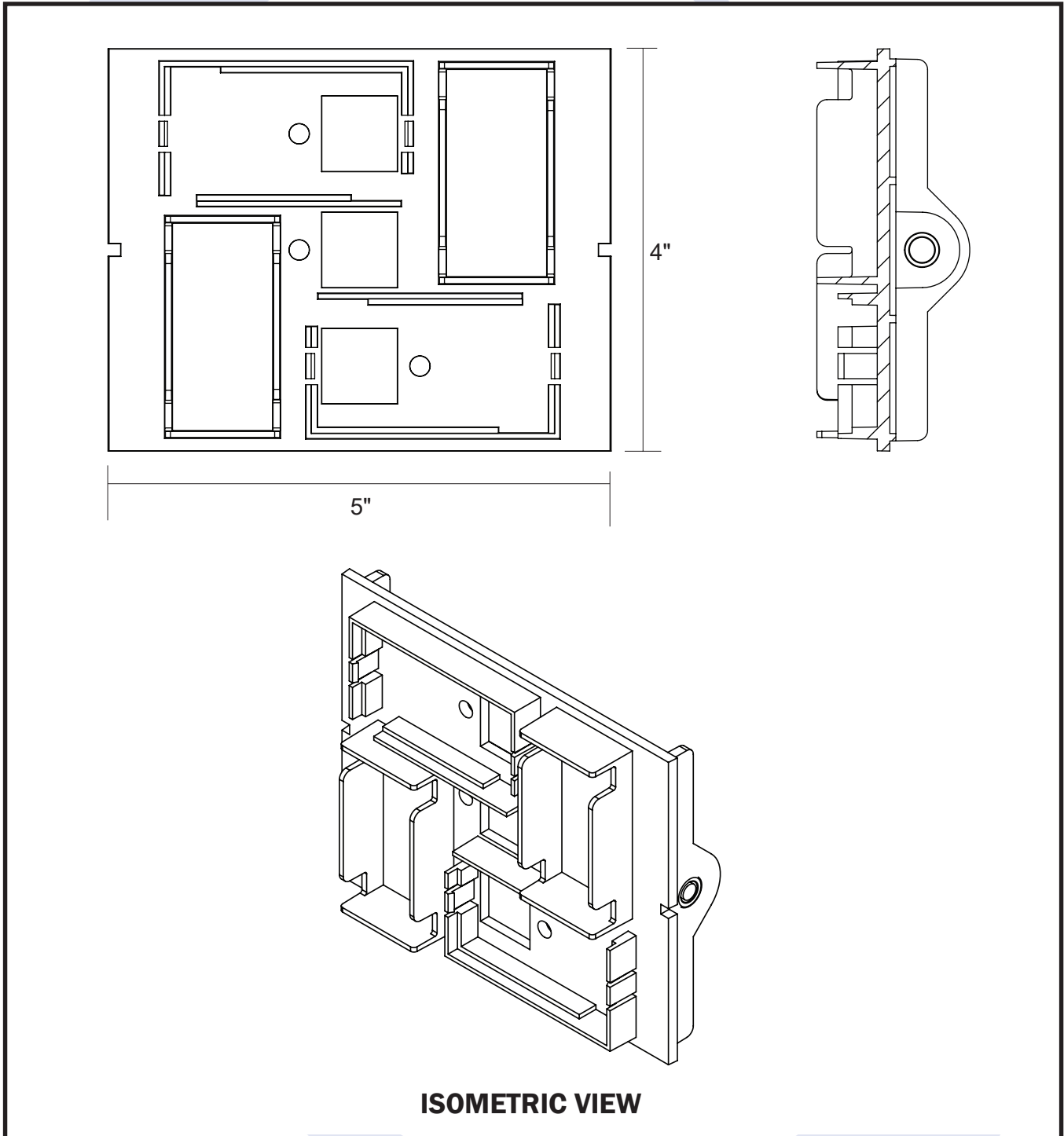
Maintenance

MS SEDCO recommends that all maintenance and adjustments be performed by an AAADM Certified Technician.

Technical Services

MS SEDCO's staff of factory trained sales and service personnel offer design assistance and technical support. Local distributors are also available to assist in selecting appropriate devices for specific uses and to provide onsite installation.

S-TRX-P POST TRANSCEIVER DIAGRAM

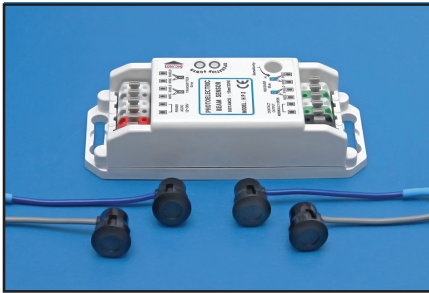




ENGINEERED FOR MOTION

AccuGuard HP2

Modular Safety Beam System



Product Name

AccuGuard HP2

Modular Safety Beam System (pictured), Surface Mount Beams Also Available

Contact Information

MS SEDCO
7898 Zionsville Road
Indianapolis, IN 46268
Phone: (317) 842-2545
www.mssedco.com

Product Description

BASIC USE

The AccuGuard HP2 is an active infrared 2-beam safety system. This modular system consists of a separate Control Module, two Transmitter Beam Heads with cables and two Receiver Beam Heads with cables. The beam heads are available for recess mounting and can be ordered with surface mount housings (HP2-SURFACE).

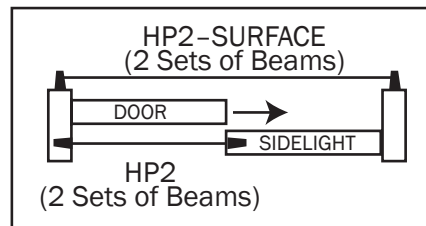
When a beam is interrupted, the Control Module signals the door to open. In the event of a power loss to the AccuGuard HP2, it will also signal the door to open, thus providing a failsafe system.

The AccuGuard HP2 can be used in both new and retrofit

installations with minimal door preparation. The beam heads are available for recess mounting into a 1/2" diameter hole or for surface mounting to any surface. Wiring instructions are printed on the control module housing and the software provides automatic set up.

Meet ANSI A156.10 safety requirements for automatic sliding doors by installing a HP2-SURFACE on the sliding door panel side of the entrance and a HP2 on the fixed sidelight side of the entrance.

ANSI A156.10 SLIDING DOOR SAFETY BEAM REQUIREMENTS



Technical Data

- Intelligent Control Module automatically programs itself for one or two beam sets (two sets come with unit)
- Microprocessor controlled to minimize interference with other equipment or voltage oscillations
- Several units can be used in close proximity to each other
- Fuse protected and compact
- Automatic beam sensitivity adjustment on openings 36" and wider
- Independent sensitivity adjustment for each beam at the control module on openings

less than 36"

- Beam range 0-16 ft.
- Excellent resistance to natural and artificial light sources, water and humidity
- No false activation from rain or insects
- Beam head cables are pluggable allowing for easy replacement
- Wire connections at the control module are external screw-type terminals
- Cables are color coded: transmitter=gray, receiver=blue

SPECIFICATIONS

Model

HP2 & HP2-SURFACE

Detection Method

Active Infrared Beam Interrupt

Detection Range

6 to 32 feet

Power Requirements

12V to 24V AC or DC (No Polarity Requirements)

Light Resistance

Sun—150,000 LUX
Artificial—50,000 LUX

Power Consumption

Standby 75mA, Active 100mA

Relay Contacts

Form C Contacts Rated @ 1 Amp (Resistive Loads Only)

Relay Activation Time

10 ms

Relay Hold Time

500 ms

Status LED

Solid Red = Beam Continuity
Flashing Red = Beam Interrupt

Temperature

-4° F to 140° F (-20° C to 60° C)

AccuGuard HP2 Modular Safety Beam System



ENGINEERED FOR MOTION

Mounting

- Control Module: Any Available Door Header Space
- Recessed Mount Beam Heads: 1/2" Dia. Hole 1" Deep
- Surface Mount Beam Heads: Any Available Surface

APPLICABLE STANDARDS

American National Standards Institute (ANSI) - Building Hardware Manufacturers Association (BHMA) - ANSI/BHMA A156.10.

Availability & Cost

AVAILABILITY

Available internationally from manufacturer's authorized distributors; contact MS SEDCO for the location of nearest distributor.

COST

Cost information on MS SEDCO products is available from the manufacturer's authorized distributors.

Warranty

MS SEDCO, Inc. guarantees this product to be free from manufacturing defects for one year from date of installation. Unless MS SEDCO is notified of the date of installation, the warranty will be in effect for one year from the date of shipment from our factory. If, during the first year, this product fails to operate and has not been tampered with or abused, the unit can be returned prepaid to the factory and be repaired free of

charge. After one year, the unit will be repaired for a nominal service charge. **Limited warranty is in lieu of all other warranties, expressed or implied, including any implied warrantability of merchantability. No representative or person is authorized to assume for MS SEDCO any other liability in connection with the sale of our products. All warranties are limited to the duration of this written limited warranty. In no event shall MS SEDCO be liable for any special, incidental, consequential or other damage arising from any unclaimed breach of warranty as to its products or services.**

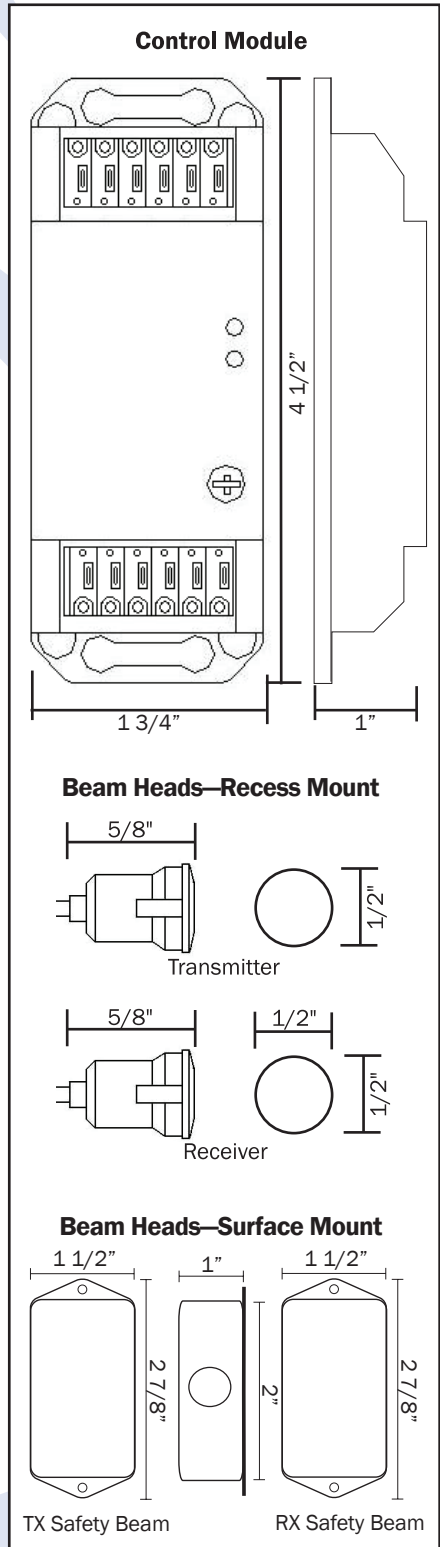
Maintenance

MS SEDCO recommends that all maintenance and adjustments be performed by an AAADM Certified Technician.

Technical Services

MS SEDCO's staff of factory trained sales and service personnel offer design assistance and technical support. Local distributors are also available to assist in selecting appropriate devices for specific uses and to provide onsite installation.

DIMENSIONS





ENGINEERED FOR MOTION

AccuGuard GD11S Surface Mount Safety Beam



Product Name
AccuGuard GD11S
Surface Mount Safety Beam

Contact Information
MS SEDCO
7898 Zionsville Road
Indianapolis, IN 46268
Phone: (317) 842-2545
www.mssedco.com

Product Description
BASIC USE
The GD11S is a self-contained surface mount active infrared safety beam system for interior or exterior use on any automatic pedestrian door, industrial door or gate.

When the infrared beam is interrupted, the GD11S' relay output signals an industrial door or gate control to open, stop or reverse. On pedestrian swing doors, the GD11S is mounted on the guide rails. When the door is closing and the overhead safety sensor is locked out, interrupting the GD11S beam will bring this sensor protecting the swing side of the door back into the safety circuit thus inhibiting the door from reopening. This is now a requirement of ANSI A156.10 2005.

In the event of a power loss to the GD11S, the relay changes state (failsafe). The GD11S can be ordered with the GDB quick mounting brackets for easy installation on industrial doors and gates.

- Technical Data**
- Economical
 - Easy To Install and Maintain
 - Simple To Align
 - 12V To 24V AC or DC Operation
 - Pulsed IR Emitter For High Immunity To Ambient Light
 - Built-In Time Delay
 - Weather Resistant Enclosure
 - Rugged Construction
 - Quick Mount GDB Bracket Available

SPECIFICATIONS	
<i>Model</i>	GD11S
<i>Physical Dimensions</i>	5 3/4"L x 1 1/2"W x 1 1/2"D
<i>Detection Method</i>	Active Infrared Beam Interrupt
<i>Detection Range</i>	0 to 40 feet
<i>Power Requirements</i>	12V to 24V AC or DC
<i>Current Draw</i>	
RX	75mA @ 12V DC
TX	60mA @ 12V DC
RX	100mA @ 24V DC
TX	60mA @ 24V DC
<i>Power Consumption</i>	
RX	2.4 Watts Max. @ 24V DC
TX	1.5 Watts Max. @ 24V DC
<i>Relay Contacts</i>	Form C Contacts Rated @ 1 Amp
<i>Relay Activation Time</i>	0.05 seconds
<i>Relay Hold Time</i>	0.5 to 5.0 sec.

Temperature
0°F to 140°F (-18°C to 60°C)

DIMENSIONS
See Reverse

APPLICABLE STANDARDS
American National Standards Institute (ANSI) - Building Hardware Manufacturers Association (BHMA) - ANSI/BHMA A156.10.

Installation
Refer to MS SEDCO Installation Instructions.

Availability & Cost
AVAILABILITY
Available internationally from manufacturer's authorized distributors; contact MS SEDCO for the location of the nearest distributor.

COST
Cost information on MS SEDCO products is available from the manufacturer's authorized distributors.

Warranty
MS SEDCO, Inc. guarantees this product to be free from manufacturing defects for one year from date of installation. Unless MS SEDCO is notified of the date of installation, the warranty will be in effect for one year from the date of shipment from our factory. If, during the first year, this product fails to operate and has not been tampered with or abused, the unit can be returned prepaid to the factory and be repaired free of

102017

AccuGuard GD11S Surface Mount Safety Beam



ENGINEERED FOR MOTION

Warranty (continued)

charge. After one year, the unit will be repaired for a nominal service charge. **Limited warranty is in lieu of all other warranties, expressed or implied, including any implied warrantability of merchantability.** No representative or person is authorized to assume for MS SEDCO any other liability in connection with the sale of our products. All warranties are limited to the duration of this written limited warranty. In no event shall MS SEDCO be liable for any special, incidental, consequential or other damage arising from any unclaimed breach of warranty as to its products or services.

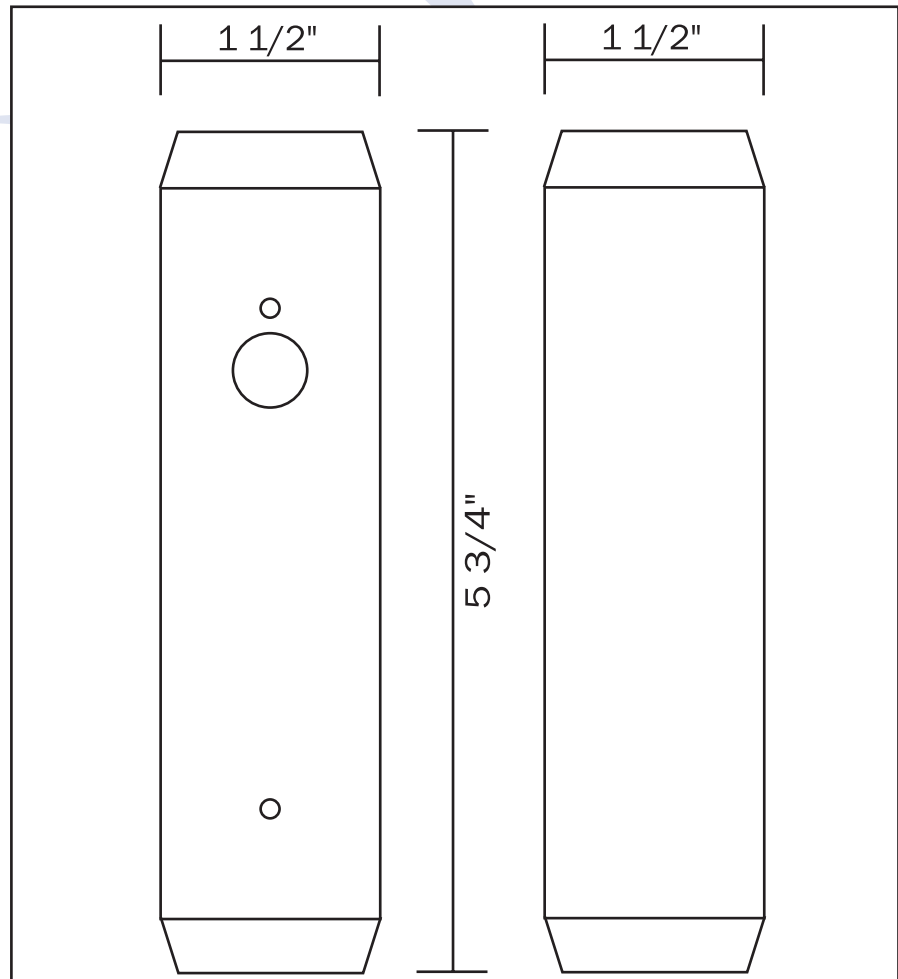
Maintenance

MS SEDCO recommends that all maintenance and adjustments be performed by an AAADM Certified Technician.

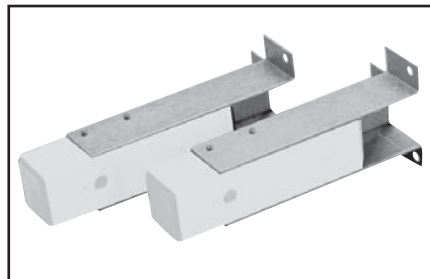
Technical Services

MS SEDCO's staff of factory trained sales and service personnel offer design assistance and technical support. Local distributors are also available to assist in selecting appropriate devices for specific uses and to provide onsite installation.

DIMENSIONS



GDB BRACKET



Ordering Options:

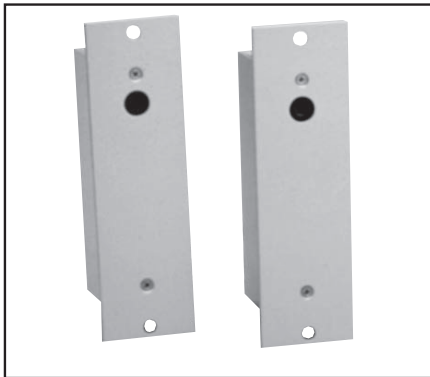
- GD11-GDB
(Includes GD11S & GDB)
- GD11S Only
- GDB Only

102017



ENGINEERED FOR MOTION

AccuGuard DB11 Recess Mount Safety Beam



Product Name
AccuGuard DB11
Recess Mount Safety Beam

Contact Information
MS SEDCO
7898 Zionsville Road
Indianapolis, IN 46268
Phone: (317) 842-2545
www.mssedco.com

Product Description
BASIC USE
The DB11 is a self-contained recess mount active infrared safety beam system for use on any automatic door.

When the infrared beam is interrupted, the DB11's relay output signals an automatic sliding door control to open or reverse when closing. The DB11 can be recess mounted into tubular guide rails on pedestrian swing doors. When the door is closing and the overhead safety sensor is locked out, interrupting the DB11 beam will bring this sensor protecting the swing side of the door back into the safety circuit thus inhibiting the door from reopening. This is now a requirement of ANSI A156.10 2005.

In the event of a power loss to the DB11, the relay changes state (failsafe).

- Technical Data**
- 12V to 24V AC or DC Operation
 - Pulsed IR Emitter For High Immunity To Ambient Light
 - Form C Relay (N.O. or N.C.)
 - Recessed (Flush) Mounting
 - Variable Time Delay
 - Easy To Align
 - Molex Connectors Provided For Easy Wiring

SPECIFICATIONS

<i>Model</i>		DB11
<i>Physical Dimensions</i>		5"L x 1 1/2"W x 1 1/2"D
<i>Detection Method</i>		Active Infrared Beam Interrupt
<i>Detection Range</i>		0 to 40 feet
<i>Power Requirements</i>		12V to 24V AC or DC
<i>Current Draw</i>		
RX	75mA @ 12V DC	
TX	60mA @ 12V DC	
RX	100mA @ 24V DC	
TX	60mA @ 24V DC	
<i>Power Consumption</i>		
RX	2.4 Watts Max. @ 24V DC	
TX	1.5 Watts Max. @ 24V DC	
<i>Relay Contacts</i>		Form C Contacts Rated @ 1 Amp
<i>Relay Activation Time</i>		0.05 seconds
<i>Relay Hold Time</i>		0.5 to 5.0 sec.
<i>Temperature</i>		0° F to 140° F (-18° C to 60° C)

DIMENSIONS
See Reverse

APPLICABLE STANDARDS
American National Standards Institute (ANSI) - Building Hardware Manufacturers Association (BHMA) - ANSI/BHMA A156.10.

Installation
Refer to MS SEDCO Installation Instructions.

Availability & Cost
AVAILABILITY
Available internationally from manufacturer's authorized distributors; contact MS SEDCO for the location of the nearest distributor.

COST
Cost information on MS SEDCO products is available from the manufacturer's authorized distributors.

Warranty
MS SEDCO, Inc. guarantees this product to be free from manufacturing defects for one year from date of installation. Unless MS SEDCO is notified of the date of installation, the warranty will be in effect for one year from the date of shipment from our factory. If, during the first year, this product fails to operate and has not been tampered with or abused, the unit can be returned prepaid to the factory and be repaired free of charge. After one year, the unit will be repaired for a nominal service charge. **Limited warranty is in lieu of all other warranties, expressed or implied, including**

AccuGuard DB11 Recess Mount Safety Beam



ENGINEERED FOR MOTION

Warranty (continued)

any implied warrantability of merchantability. No representative or person is authorized to assume for MS SEDCO any other liability in connection with the sale of our products. All warranties are limited to the duration of this written limited warranty. In no event shall MS SEDCO be liable for any special, incidental, consequential or other damage arising from any unclaimed breach of warranty as to its products or services.

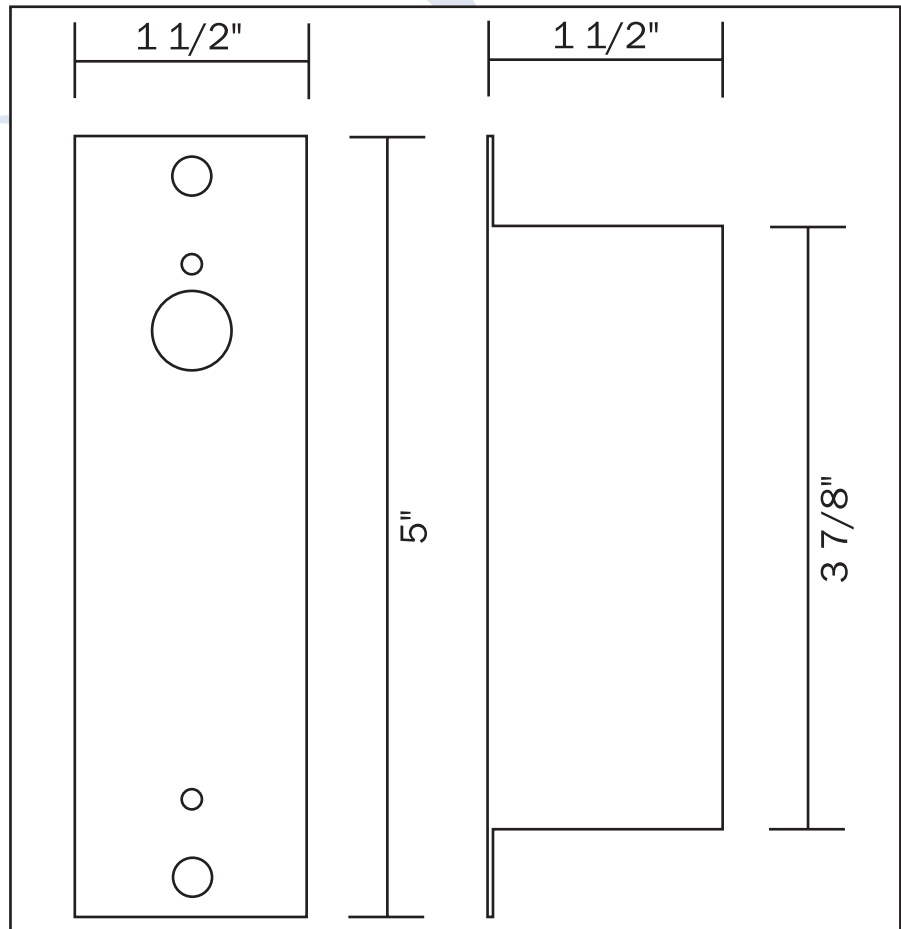
Maintenance

MS SEDCO recommends that all maintenance and adjustments be performed by an AAADM Certified Technician.

Technical Services

MS SEDCO's staff of factory trained sales and service personnel offer design assistance and technical support. Local distributors are also available to assist in selecting appropriate devices for specific uses and to provide onsite installation.

DIMENSIONS

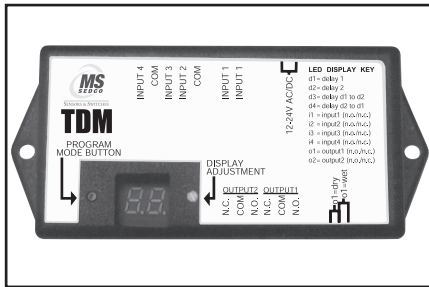




ENGINEERED FOR MOTION



Universal Time Delay Module



Product Name

TDM

Universal Time Delay Module

Contact Information

MS SEDCO
7898 Zionsville Road
Indianapolis, IN 46268
Phone: (317) 842-2545
www.mssedco.com

Product Description

BASIC USE

The TDM is a multipurpose micro-processor based timing module that can be used for a variety of applications. Its unique design and open architecture allows the TDM to be used in any type of application that requires timing control of up to two outputs with up to four inputs.

Common Applications include:

- Using the TDM to provide a simple time delay of 0-99 seconds.
- Using the TDM as a make/break relay to eliminate mechanical binding of the electrical locking mechanism on an automatic door. The make relay can even be configured as a wet output to directly apply power to the electric locking device.
- Using the TDM to sequence vestibule doors. One unit is capable of sequencing the vestibule doors from both

directions.

The four inputs on the TDM allow sequencing or independent operation of the two outputs.

- Input 1 will sequence Output 1 then 2.
- Input 2 will sequence Output 2 then 1.
- Input 3 will operate Output 1 independently.
- Input 4 will operate Output 2 independently.

Both outputs on the TDM are programmable for "on time" duration as well as the delay time between the two outputs from 0 to 99 seconds

Technical Data

SPECIFICATIONS

<i>Model</i>	TDM
<i>Power</i>	12 to 24 V AC or DC
<i>Power Consumption</i>	2W Maximum
<i>Output Contact</i>	Form C, Rated At 3 Amps
<i>Temperature</i>	-22°F to 158°F (-30°C to 70°C)
<i>Color</i>	Flat Black
<i>Enclosure</i>	ABS Plastic
<i>Weight</i>	0.25 lb.
<i>Physical Size</i>	4 3/4"L x 2 1/4"W x 3/4"H

Special Functions

Wet Output

- Allows installer to apply power directly to an electric locking device (eliminating need for separate transformer)

Pushbutton Fault Indicator

- Provides valuable diagnostic information to installer

Preprogrammable

- Easily set-up on site or in advance using the LED Display
- Settings are stored in memory so TDM remembers settings (even after power failure)

APPLICABLE STANDARDS

American National Standards Institute (ANSI) - Building Hardware Manufacturers Association (BHMA) - ANSI/BHMA A156.10 & A156.19.

Installation

SETUP AND ADJUSTMENT

The TDM is easily mounted in the door header or control box. The LED Display allows for ease in programming. The installer uses the Program Mode Button to adjust each of the four time delays and select the input and output settings.

Availability & Cost

AVAILABILITY

Available internationally from manufacturer's authorized distributors; contact MS SEDCO for the location of nearest distributor.

COST

Cost information on MS SEDCO products is available from the manufacturer's authorized distributor.



Universal Time Delay Module



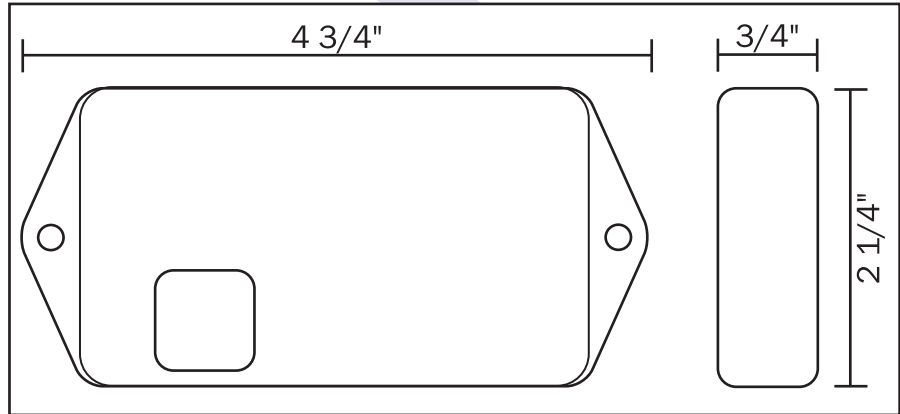
ENGINEERED FOR MOTION

Warranty

MS SEDCO, Inc. guarantees this product to be free from manufacturing defects for one year from date of installation. Unless MS SEDCO is notified of the date of installation, the warranty will be in effect for one year from the date of shipment from our factory. If, during the first year, this product fails to operate and has not been tampered with or abused, the unit can be returned prepaid to the factory and be repaired free of charge. After one year, the unit will be repaired for a nominal service charge. **Limited warranty is in lieu of all other warranties, expressed or implied, including any implied warrantability of merchantability.** No representative or person is authorized to assume for MS SEDCO any other liability in connection with the sale of our products. All warranties are limited to the duration of this written limited warranty. In no event shall MS SEDCO be liable for any special, incidental, consequential or other damage arising from any unclaimed breach of warranty as to its products or services.

personnel offer design assistance and technical support. Local distributors are also available to assist in selecting appropriate devices for specific uses and to provide onsite installation.

DIMENSIONS

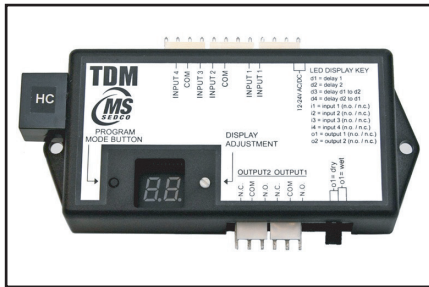


Maintenance

MS SEDCO recommends that all maintenance and adjustments be performed by an AAADM Certified Technician.

Technical Services

MS SEDCO's staff of factory trained sales and service



Product Name

TDM-HC

High Current Universal Time Delay Module

Contact Information

MS SEDCO
7898 Zionsville Road
Indianapolis, IN 46268
Phone: (317) 842-2545
www.mssedco.com

Product Description

BASIC USE

The TDM-HC is a multipurpose microprocessor based timing module that can be used for a variety of applications. Its unique design and open architecture allows the TDM-HC to be used in any type of application that requires timing control of up to two outputs with up to four inputs.

The first output of the TDM-HC has a capacity of 20 amps, making it compatible with every electronic locking device, including electric-latch-retraction exit devices.

Common Applications include:

- Using the TDM-HC to provide a simple time delay of 0-99 seconds.
- Using the TDM-HC as a make/break relay to eliminate mechanical binding of the electrical locking mechanism on an automatic door.

- Using the TDM-HC to sequence vestibule doors. One unit is capable of sequencing the vestibule doors from both directions.

The four inputs on the TDM-HC allow sequencing or independent operation of the two outputs.

- Input 1 will sequence Output 1 then 2.
- Input 2 will sequence Output 2 then 1.
- Input 3 will operate Output 1 independently.
- Input 4 will operate Output 2 independently.

Both outputs on the TDM are programmable for "on time" duration as well as the delay time between the two outputs from 0 to 99 seconds

Technical Data

SPECIFICATIONS

<i>Model</i>	TDM-HC
<i>Power</i>	12 to 24 V AC or DC
<i>Power Consumption</i>	2W Maximum
<i>Output Contact</i>	Form C, Rated At 20 Amps
<i>Temperature</i>	-22° F to 158° F (-30° C to 70° C)
<i>Color</i>	Flat Black
<i>Enclosure</i>	ABS Plastic
<i>Weight</i>	0.25 lb.
<i>Physical Size</i>	5"L x 2 1/8"W x 3/4"H

Special Functions

Pushbutton Fault Indicator

- Provides valuable diagnostic information to installer

Preprogrammable

- Easily set-up on site or in advance using the LED Display
- Settings are stored in memory so TDM-HC remembers settings (even after power failure)

APPLICABLE STANDARDS

American National Standards Institute (ANSI) - Building Hardware Manufacturers Association (BHMA) - ANSI/BHMA A156.10 & A156.19.

Installation

SETUP AND ADJUSTMENT

The TDM-HC is easily mounted in the door header or control box. The LED Display allows for ease in programming. The installer uses the Program Mode Button to adjust each of the four time delays and select the input and output settings.

Availability & Cost

AVAILABILITY

Available internationally from manufacturer's authorized distributors; contact MS SEDCO for the location of nearest distributor.

COST

Cost information on MS SEDCO products is available from the manufacturer's authorized distributor.



High Current Universal Time Delay Module



ENGINEERED FOR MOTION

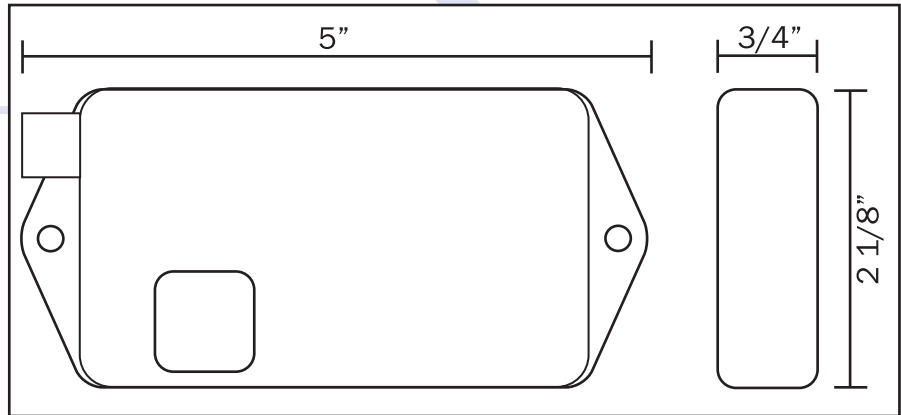
Warranty

A one year warranty is available from the manufacturer covering defects in materials and workmanship. Contact MS SEDCO for details.

Technical Services

MS SEDCO's staff of factory trained sales and service personnel offer design assistance and technical support. Local distributors are also available to assist in selecting appropriate devices for specific uses and to provide onsite installation.

DIMENSIONS

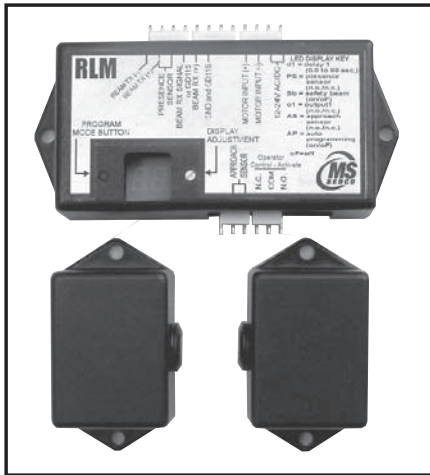




ENGINEERED FOR MOTION



Relay Lockout Module with Safety Beams



Product Name

RLM

Relay Lockout Module with Safety Beams

Contact Information

MS SEDCO
7898 Zionsville Road
Indianapolis, IN 46268
Phone: (317) 842-2545
www.mssedco.com

Product Description

BASIC USE

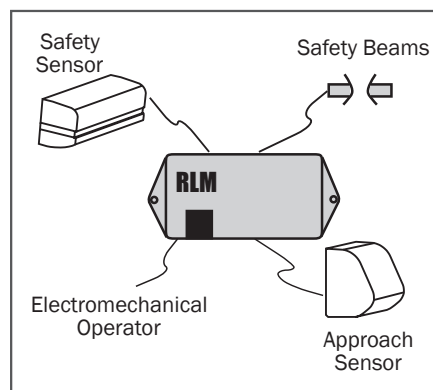
The RLM is a microprocessor based relay lockout module with safety beams designed to meet the ANSI A156.10 2005 requirements that one-way traffic power operated pedestrian swing doors (typically supermarket doors) have an additional safety device installed when the overhead safety sensor is prevented from providing a safety signal during the closing cycle.

The RLM is equipped with Intelligent Door Position™ monitoring circuitry that will automatically identify a swing door's open and closed positions and determine its closing time.

The RLM then controls the approach sensor, overhead safety sensor and safety beams. The proprietary software monitors the door's position and controls when to inhibit the signal from the overhead safety sensor during the closing cycle while simultaneously monitoring the safety beams and when to prevent reactivation of the approach sensor. By providing a single-source control for the approach sensor, overhead safety sensor and safety beams, the RLM streamlines installations by eliminating products and speeds up installation time by ending "trial and error" manual adjustments.

The RLM can also be used on operators not equipped with a safety circuit providing a more economical upgrade alternative to replacing expensive operator controls.

The RLM is for use on electromechanical operators only.



Technical Data

SPECIFICATIONS

Model	RLM
Power	12 to 24 V AC or DC
Power Consumption	<1W
Output Contact	Form C, Rated At 3 Amps
Temperature	-22 °F to 158 °F (-30 °C to 70 °C)
Color	Flat Black
Enclosure	ABS Plastic
Weight	0.25 lb.

Physical Size

Control Module:

4 3/4"L x 2 1/4"W x 3/4"H

Safety Beams:

2 7/8"L x 1 1/2"W x 1"H

APPLICABLE STANDARDS

American National Standards Institute (ANSI) - Building Hardware Manufacturers Association (BHMA) - ANSI/BHMA A156.10 & A156.19.

Availability & Cost

AVAILABILITY

Available internationally from manufacturer's authorized distributors; contact MS SEDCO for the location of nearest distributor.

COST

Cost information on MS SEDCO products is available from the manufacturer's authorized distributor.



Relay Lockout Module with Safety Beams



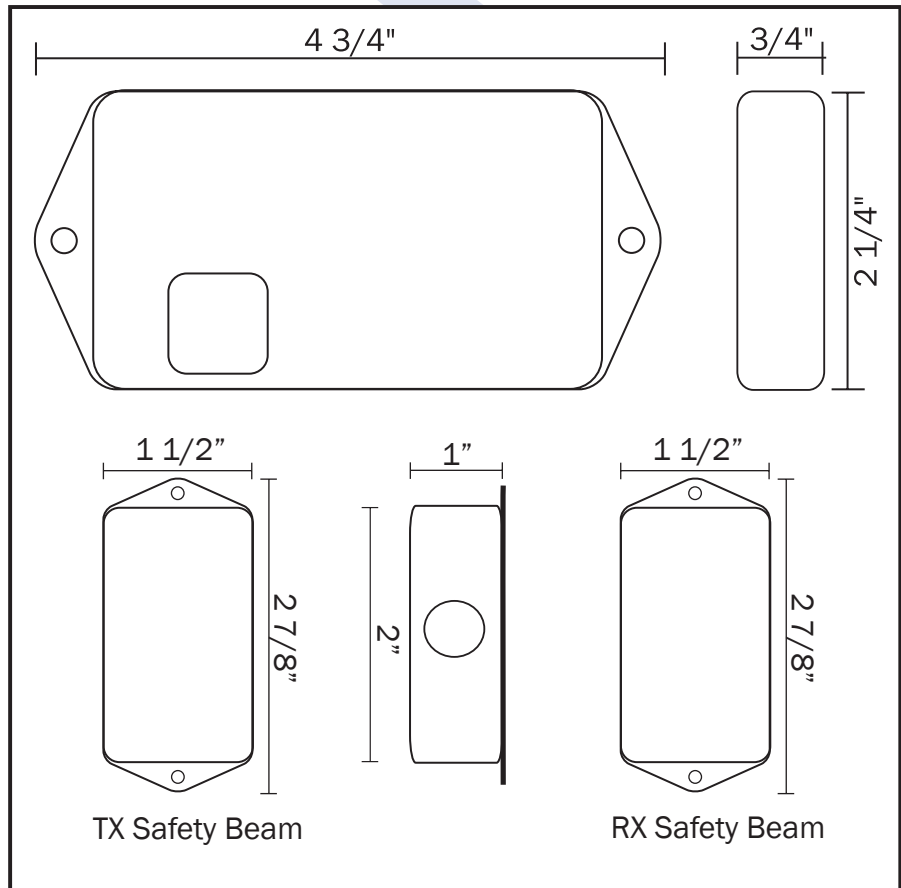
ENGINEERED FOR MOTION

Warranty

MS SEDCO, Inc. guarantees this product to be free from manufacturing defects for one year from date of installation. Unless MS SEDCO is notified of the date of installation, the warranty will be in effect for one year from the date of shipment from our factory. If, during the first year, this product fails to operate and has not been tampered with or abused, the unit can be returned prepaid to the factory and be repaired free of charge. After one year, the unit will be repaired for a nominal service charge. **Limited warranty is in lieu of all other warranties, expressed or implied, including any implied warrantability of merchantability.** No representative or person is authorized to assume for MS SEDCO any other liability in connection with the sale of our products. All warranties are limited to the duration of this written limited warranty. In no event shall MS SEDCO be liable for any special, incidental, consequential or other damage arising from any unclaimed breach of warranty as to its products or services.

personnel offer design assistance and technical support. Local distributors are also available to assist in selecting appropriate devices for specific uses and to provide onsite installation.

DIMENSIONS

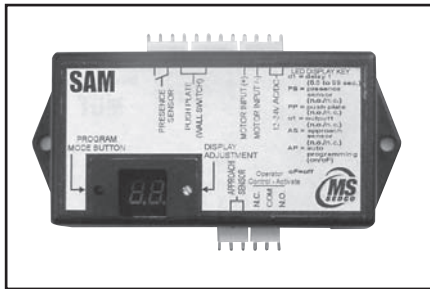


Maintenance

MS SEDCO recommends that all maintenance and adjustments be performed by an AAADM Certified Technician.

Technical Services

MS SEDCO's staff of factory trained sales and service



Product Name

SAM
Secondary Activation Module

Contact Information

MS SEDCO
7898 Zionsville Road
Indianapolis, IN 46268
Phone: (317) 842-2545
www.mssedco.com

Product Description

BASIC USE

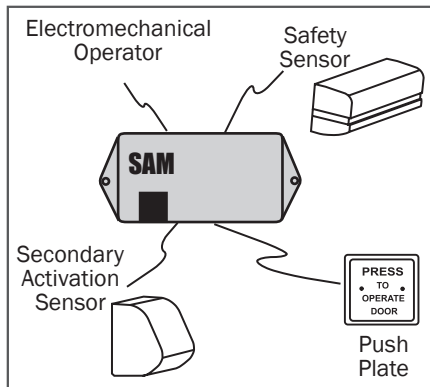
The SAM is a microprocessor based secondary activation timing module designed to meet the ANSI A156.10 2005 requirements that knowing act power operated pedestrian swing doors (typically hospital corridor doors) include an approach sensor on the non-swing side of the door that is only active while the door is open or in its closing cycle.

The SAM is equipped with Intelligent Door Position™ monitoring circuitry that will automatically identify a swing door's open and closed positions and determine its closing time. The SAM then controls the push plate wall switch (knowing act), approach sensor (secondary activation) and overhead safety sensor. The proprietary software

monitors the door's position and controls when to turn on and off the approach sensor after the push plate is activated while simultaneously monitoring the overhead safety sensor and locking out its signal during the door's closing cycle. By providing single source control for the push plate, secondary activation sensor and overhead safety sensor, the SAM streamlines installations by eliminating products and speeds up installation time by ending "trial and error" manual adjustments.

The SAM can also be used on operators not equipped with a safety circuit providing a more economical upgrade alternative to replacing expensive operator controls.

The SAM is for use on electromechanical operators only.



Technical Data SPECIFICATIONS

Model	SAM
Power	12 to 24 V AC or DC
Power Consumption	<1W
Output Contact	Form C, Rated At 3 Amps
Temperature	-22°F to 158°F (-30°C to 70°C)
Color	Flat Black
Enclosure	ABS Plastic
Weight	0.25 lb.
Physical Size	4 3/4"L x 2 1/4"W x 3/4"H

APPLICABLE STANDARDS

American National Standards Institute (ANSI) - Building Hardware Manufacturers Association (BHMA) - ANSI/BHMA A156.10 & A156.19.

Availability & Cost

AVAILABILITY

Available internationally from manufacturer's authorized distributors; contact MS SEDCO for the location of nearest distributor.

COST

Cost information on MS SEDCO products is available from the manufacturer's authorized distributor.



Secondary Activation Module



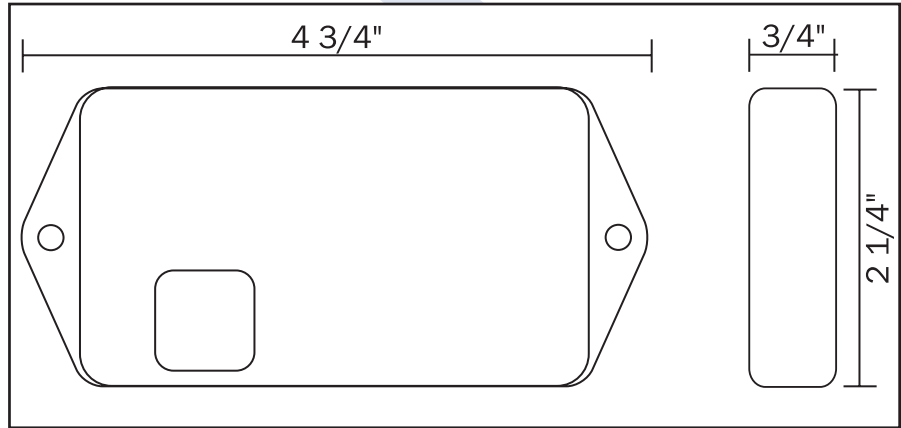
ENGINEERED FOR MOTION

Warranty

MS SEDCO, Inc. guarantees this product to be free from manufacturing defects for one year from date of installation. Unless MS SEDCO is notified of the date of installation, the warranty will be in effect for one year from the date of shipment from our factory. If, during the first year, this product fails to operate and has not been tampered with or abused, the unit can be returned prepaid to the factory and be repaired free of charge. After one year, the unit will be repaired for a nominal service charge. **Limited warranty is in lieu of all other warranties, expressed or implied, including any implied warrantability of merchantability.** No representative or person is authorized to assume for MS SEDCO any other liability in connection with the sale of our products. All warranties are limited to the duration of this written limited warranty. In no event shall MS SEDCO be liable for any special, incidental, consequential or other damage arising from any unclaimed breach of warranty as to its products or services.

personnel offer design assistance and technical support. Local distributors are also available to assist in selecting appropriate devices for specific uses and to provide onsite installation.

DIMENSIONS



Maintenance

MS SEDCO recommends that all maintenance and adjustments be performed by an AAADM Certified Technician.

Technical Services

MS SEDCO's staff of factory trained sales and service



Product Name

PTM

Privacy Timing Module

Contact Information

MS SEDCO
7898 Zionsville Road
Indianapolis, IN 46268
Phone: (317) 842-2545
www.mssedco.com

Product Description

BASIC USE

The PTM is a timing module that allows users to control an automatic door operator for a room where privacy is a concern, such as a washroom, restroom, clean room, or photo development room. From the outside of the room, users are able to activate the door. Once inside, users are able to lock the door which prevents access from the outside “push to open” button. When egress is desired, the user presses an inside “push to open” button which deactivates the lock and activates the door. A keyswitch override is present on the exterior, as well as LEDs to indicate if the room is occupied. Green indicates available while red indicates occupied.

The delay time between deactivating the lock and activating the door, as well as the “on time” for door activation are fully programmable.

Technical Data

SPECIFICATIONS

Model	PTM
Input Power	12-24V AC or DC
Power Consumption	2 W Maximum
Output Contacts	Form C, Rated at 3 Amps
Relay Contact Rating	3A:120V AC; 3A:60V DC
Temperature	-22°F to 158°F (-30°C to 70°C)
Weight	<0.25 lb.

Availability & Cost

AVAILABILITY

Available internationally from manufacturer's authorized distributors; contact MS SEDCO for the location of nearest distributor.

COST

Cost information on MS SEDCO products is available from the manufacturer's authorized distributor.s

Warranty

MS Sedco, Inc. guarantees this product to be free from manufacturing defects for one year from the date of installation. Unless MS Sedco is notified of the date of installation, the warranty will be in effect for one year from the date of shipment from our factory. If, during the first year, this product fails to operate and has not been tampered with or abused, the unit can be returned prepaid to the factory and be repaired free of charge. After one year, the unit will be repaired for a nominal service charge. **Limited**

warranty is in lieu of all other warranties, expressed or implied, including any implied warrant ability of merchantability, no representative or person is authorized to assume for MS Sedco any other liability in connection with the sale of our products. All warranties are limited to the duration of this written limited warranty. In no event shall MS Sedco be liable for any special, incidental, consequential, or other damage arising from any unclaimed breach of warranty as to its products or services.

Maintenance

MS SEDCO recommends that all maintenance and adjustments be performed by an AAADM Certified Technician.

Technical Services

MS SEDCO's staff of factory trained sales and service personnel offer design assistance and technical support. Local distributors are also available to assist in selecting appropriate devices for specific used and to provide onsite installation.

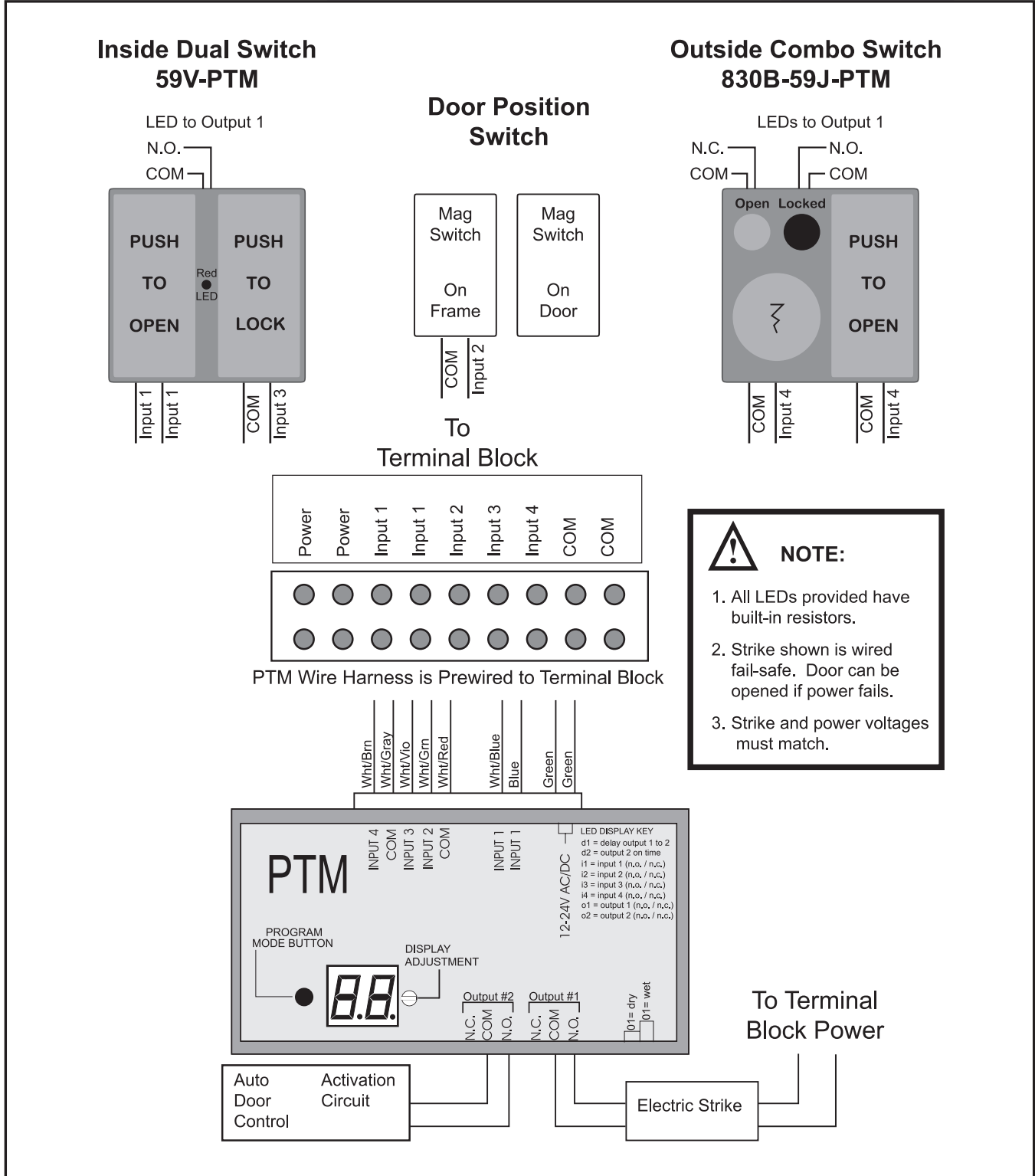


Privacy Timing Module



ENGINEERED FOR MOTION

PTM Installation Diagram





ENGINEERED FOR MOTION

ANSI Compliant Door Safety Decals

Product Name ANSI Compliant Door Safety Decals

Contact Information

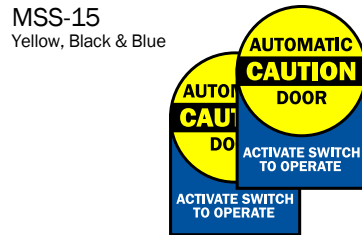
MS SEDCO
7898 Zionsville Road
Indianapolis, IN 46268
Phone: (317) 842-2545
www.mssedco.com

Product Description

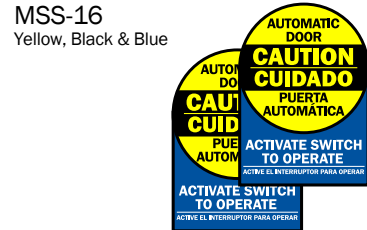
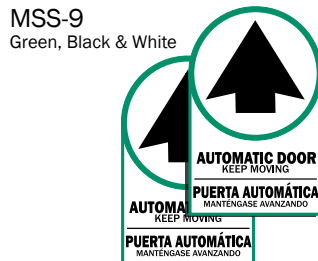
Self-sticking, exterior grade decals meet the requirements of ANSI A156.10 & A156.19.

Two sided decals are depicted with opposite side partially shown.

DOOR DECALS: ENGLISH



DOOR DECALS: ENGLISH/SPANISH





ENGINEERED FOR MOTION

This page intentionally left blank.



ENGINEERED FOR MOTION

Sensor Accessories

Contact Information

MS Sedco
7898 Zionsville Road
Indianapolis, IN 46268
Phone: (317) 842-2545
Fax: (317) 849-3387
Email: custsvc@mssedco.com
www.mssedco.com

ACCESSORY #1



Product Name
MS-BDB Optional Mounting Bracket

Product Description
The MS-BDB is an optional mounting device that allows the installer to elevate and rotate the microstar-M for special configurations.

ACCESSORY #2



Product Name
MSRC (Optional Rain Cover)

Product Description
The MSRC is a rain cover designed for use with the microStar-M sensors on installations that require protection from direct rainfall. The MSRC is made of black polycarbonate plastic..

ACCESSORY #3



Product Name
DH-BDB Bracket/Backplate

Product Description
BASIC USE
The DH-BDB is an optional bracket used to swivel mount the DH400 sensor for unique or industrial door applications.

ACCESSORY #4



ACCESSORY #6



Product Name
12024 Open Frame 24V AC Transformer

Product Description
BASIC USE
The 12024 transformer is a screw mount type transformer used to convert a 120V AC power supply to 24V AC low voltage.

Product Name
DHRC Rain Cover

Product Description
BASIC USE
The DHRC is a rain cover designed for use with the DH-series sensors on installations that require protection from direct rainfall. The DHRC is made of tinted plastic.

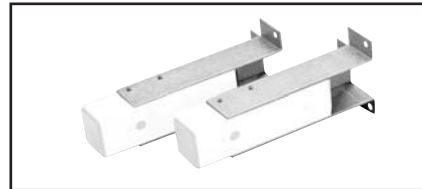
Technical Data

- Screw Mount
- Open Frame
- 2 Wire Type
- Listing: UL recognized component

Specifications
Primary Rated Voltage/Frequency:
120V AC/60Hz
No Load Secondary Voltage:

	24V AC
Power:	24VA
Tolerance:	±0.5V
Thermal Cutoff:	125 °C, 2A, 250V
Weight:	1.46 lbs. (663g)
Size:	2 1/4"W x 2 1/4"D x 2"H

ACCESSORY #5



Product Name
GDB Bracket
(Pictured With GD11S)

ACCESSORY #7



Product Name
BRM Bridge Rectifier Module

Product Description
BASIC USE

The BRM is a bridge rectifier module that can be used to convert AC voltage to DC voltage for a variety of applications.

Specifications
Primary Rated Voltage/Frequency: 100V AC/60 Hz
Temperature: -85°F to 30°F (-65°C to 150°C)
Weight: Less than 0.5 lb.

- Terminal Block Simplifies Wiring
- Listing: UL Recognized Component

Specifications
Primary Rated Input Voltage: 24V AC/DC
Contact Current Rating: 15A @ 24V DC/15A @ 110V AC
Minimum Load: 110mA @ 5V DC
Temperature: -13°F to 158°F (-25°C to 70°C)
Weight: Approx. 0.5 lb.

COST
Cost information on MS Sedco products is available from the manufacturer's authorized distributors.

Warranty
MS Sedco, Inc. guarantees this product to be free from manufacturing defects for one year from date of installation. Unless MS Sedco is notified of the date of installation, the warranty will be in effect for one year from the date of shipment from our factory. If, during the first year, this product fails to operate and has not been tampered with or abused, the unit can be returned prepaid to the factory and be repaired free of charge. After one year, the unit will be repaired for a nominal service charge. **Limited warranty is in lieu of all other warranties, expressed or implied, including any implied warrantability of merchantability, no representative or person is authorized to assume for MS Sedco any other liability in connection with the sale of our products. All warranties are limited to the duration of this written limited warranty. In no event shall MS Sedco be liable for any special, incidental, consequential or other damage arising from any unclaimed breach of warranty as to its products or services.**

ACCESSORY #9



Product Name
RCM Relay Conversion Module

Product Description
BASIC USE
The RCM is a conversion module that will allow a single input signal to operate two discrete outputs. Application examples might include using a single actuator switch, such as our 830-A key-switch, to illuminate an indicator light and unlock a door simultaneously.

- Accepts Normally Open or Normally Closed inputs.
- Output relay contacts rated at 30V DC, 1A

Availability & Cost
AVAILABILITY
Available internationally from manufacturer's authorized distributors; contact MS Sedco for the location of nearest distributor.

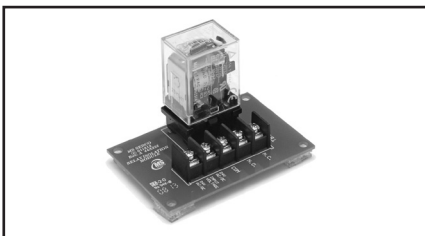
Maintenance
MS Sedco recommends that all maintenance and adjustments be performed by an AAADM Certified Technician.

Technical Services
MS Sedco's staff of factory trained sales and service personnel offer design assistance and technical support. Local distributors are also available to assist in selecting appropriate devices for specific uses and to provide onsite installation.

Filing Systems

- Sweet's
- Additional product information is available from the manufacturer upon request.

ACCESSORY #8



Product Name
RIM Relay Isolation Module

Product Description
BASIC USE
The RIM is a relay isolation module that can be used in applications that could damage input or output connections on sensors, timing modules, or other low voltage devices. The relay on the RIM is rated to handle higher current that might be used for locks, alarms, or other electronic devices that exceed the ratings of standard relays.