



ENGINEERED FOR MOTION

NexGen Series Infrared Touchless Wireless Door Activator Switches



#NGS-IR-A

Product Name

NexGen Wireless Series

Infrared Touchless Wireless Door
Activator Switches

Contact Information

MS SEDCO
8701 Castle Park Drive
Indianapolis, IN 46256
Phone: (317) 842-2545
www.mssedco.com

Product Description

BASIC USE

The NexGen Infrared Touchless actuator is the next generation of automatic door activation switch. The NexGen IR combines the latest advances in infrared sensing technology with durable composite plastics, to create an actuator that is both stylish and tough. NexGen switches are extremely thin and utilize no moving parts. The 4" faceplate is bordered by a clear bezel edge that illuminates upon activation.

Their hands free operation makes them ideal for ADA applications. Other applications include clean-room access

points, request-to-exit devices, and point-of-purchase displays. The NexGen Infrared Touchless switch is microprocessor controlled allowing for superior operation in a smaller unit. The wireless version includes a built-in ClearPath Spectrum transceiver that can be paired to the S-COR coordinator, eliminating the need for wiring.

Temperature

-13°F to 140°F (-25°C to 60°C)

Recommended For Interior Use

APPLICABLE STANDARDS

American National Standards Institute (ANSI) - Building Hardware Manufacturers Association (BHMA) - ANSI/BHMA A156.10 & A156.19.

Installation

Refer to MS SEDCO Installation Instructions.

Availability & Cost

AVAILABILITY

Available internationally from manufacturer's authorized distributors; contact MS SEDCO for the location of the nearest distributor.

COST

Cost information on MS SEDCO products is available from the manufacturer's authorized distributors.

Warranty

A one year warranty is available from the manufacturer covering defects in materials and workmanship. Contact MS SEDCO for details.

Maintenance

MS SEDCO recommends that all maintenance and adjustments be performed by an AAADM Certified Technician.

Technical Data

- ADA Compliant Operation
- Microprocessor-Controlled Infrared Touchless
- Adjustable Reaction Time (0.5-2 Sec.)
- Adjustable Detection Range

SPECIFICATIONS

Activation Method

NexGen technology using rapid infrared pulses, to ensure accurate detection.

Power Requirements

On-board battery provides necessary power

Battery Life

5 years for most applications

Response Time/Reaction Time

Adjustable from 0.5 to 2 sec.

Range Adjustment

Adjustable from 1" to 5"

Transceiver Operating Distance

Clear transmission exceeds 30'

Unit Size

4.5"W x 4.5"H x 0.75"D

Face Plate Finish

Standard: Black Acrylic Finish

05222017

NexGen Series Infrared Touchless Wireless Door Activator Switches

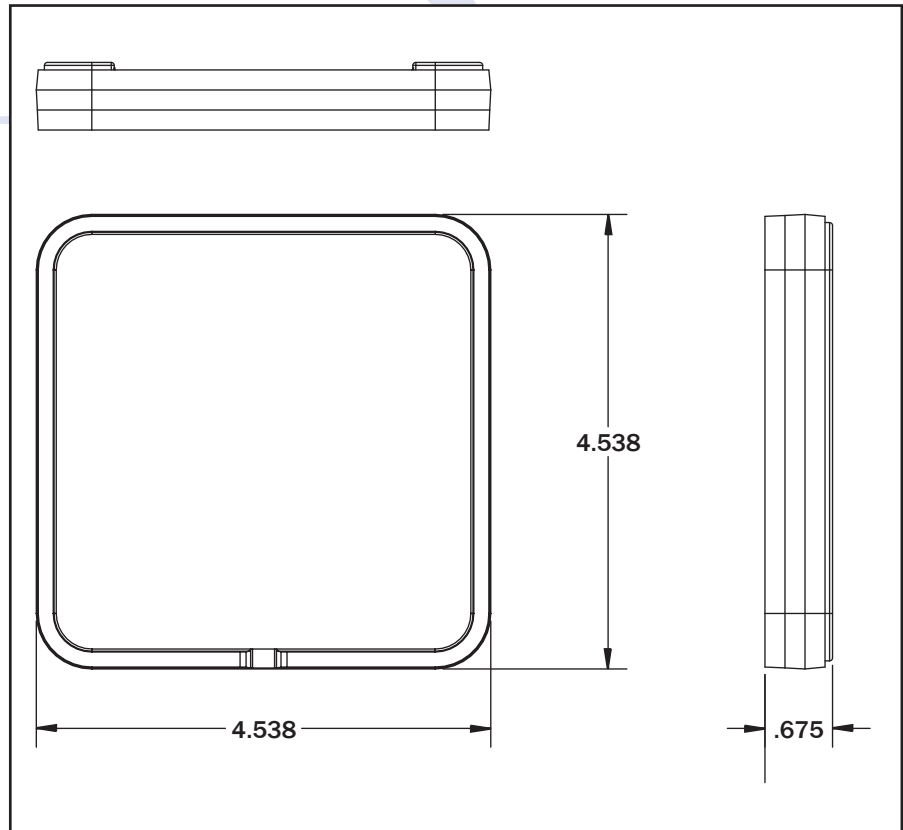


ENGINEERED FOR MOTION

Technical Services

MS SEDCO's staff of factory trained sales and service personnel offer design assistance and technical support. Local distributors are also available to assist in selecting appropriate devices for specific uses and to provide onsite installation

DIMENSIONS



05222017