



ENGINEERED FOR MOTION

## Mounting Boxes and Escutcheons

### Product Name

Mounting Boxes and Escutcheons

### Contact Information

MS SEDCO  
7898 Zionsville Road  
Indianapolis, IN 46268  
Phone: (317) 842-2545  
www.mssedco.com

### Product Descriptions

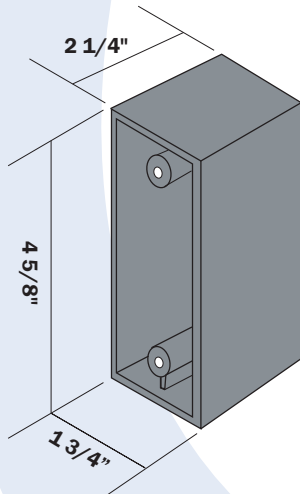
#### **MOUNTING BOX COMPATIBILITY SUMMARY: One and Two Piece Mounting Boxes**

All mounting boxes are exterior grade polycarbonate surface mounting boxes designed so the switch will recess mount for superior weather protection and to eliminate potential snagging.

#### **ONE PIECE MOUNTING BOXES**

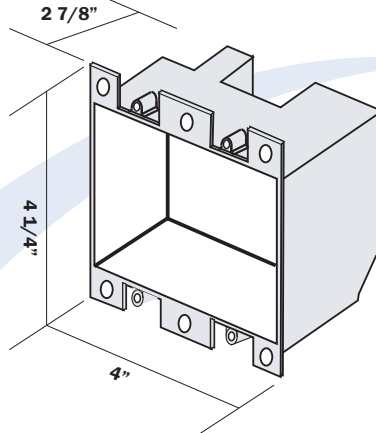
##### **1035 Series**

2" deep jamb box. Compatible with 59J Series switches and many other switches designed for jamb mount.



##### **255R Series**

2-gang recessed mount box.

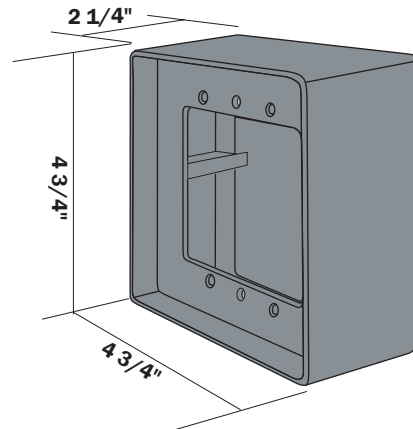


#### **TWO PIECE MOUNTING BOXES**

MS SEDCO's two piece mounting boxes are designed to make battery replacement quick and easy for wireless applications.

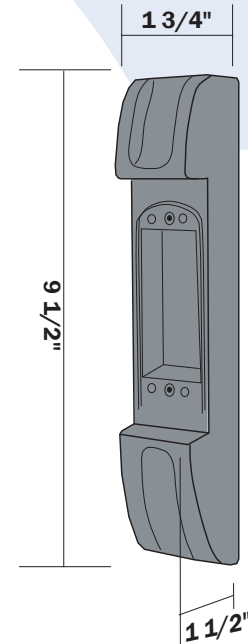
##### **1015 Series**

Compatible with 59, 59V, 1078, 216, 830 & 614 Series switches.



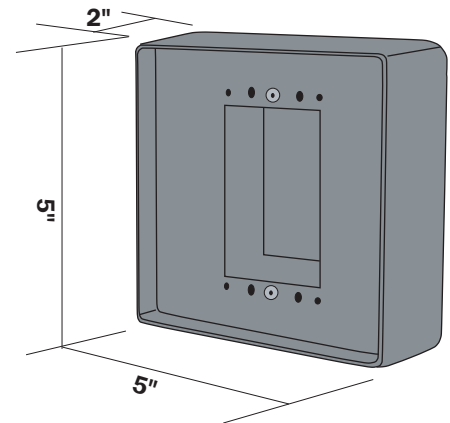
##### **1010 Series**

Compatible with 59J Series switches.



##### **1020 Series**

Compatible with 59, 216 and 614 Series switches.

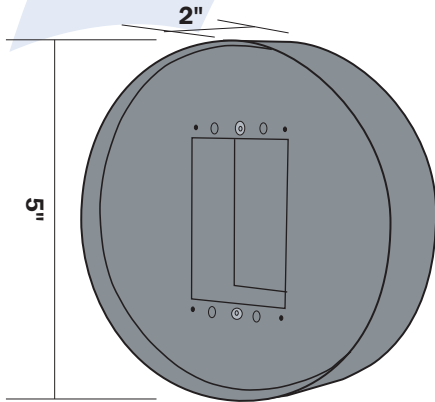


## Mounting Boxes and Escutcheons

### TWO PIECE MOUNTING BOXES (continued)

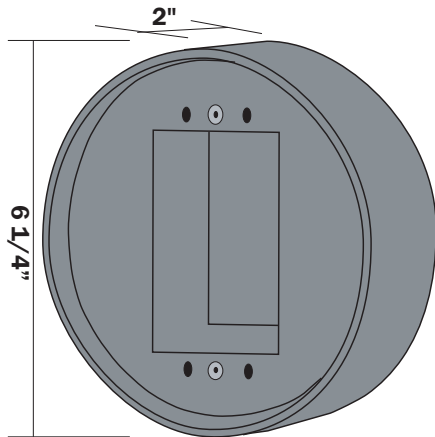
#### 1025 Series

Round boxes compatible with all 59R4 Series switches.



#### 1030 Series

Round boxes compatible with all 59R6 Series switches.



### Decorative Escutcheons

**ESC-59R4:** Plate for 59R4 Series

**ESC-59R6:** Plate for 59R6 Series

Dress up the appearance of your MS Sedco round switch with a stainless escutcheon plate. Plates are available for the R4 and R6 switches, and can be mounted directly to the wall or to a single or 2-gang electrical box.

