

ECX

Ethernet Cable Extender

INSTALLATION INSTRUCTIONS

Section 1

General Description

The ECX Ethernet Cable Extender enables cable runs for the Intersector of up to 600 feet, doubling the allowable distance.

Section 2

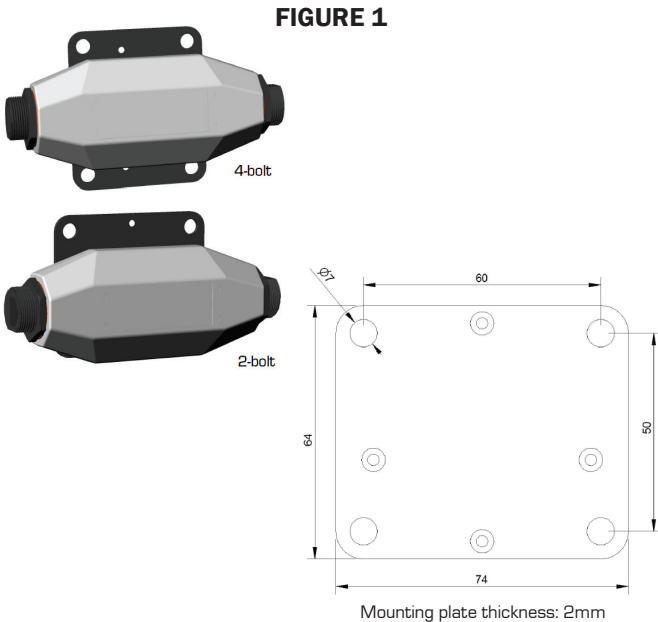
Installation

LOCATION

For maximum protection against water and temperature extremes, locate the unit so that it is horizontal, shaded from direct sunlight, and sheltered from rainfall/direct immersion in water.

MOUNTING PLATE

The optional mounting plate is attached to the unit using the two supplied tapping screws (spares included). It may be fitted in two orientations, for 4-bolt mounting or offset 2-bolt mounting, according to the space available. Mounting hardware is not included, as this is specific to each installation. Both mounting options are shown below with a dimensioned template of the mounting plate:

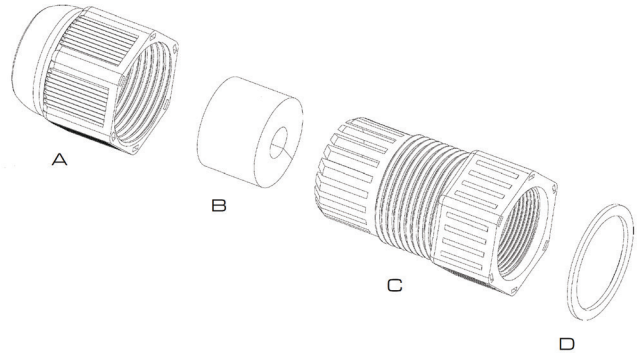


CONNECTOR ASSEMBLY

IMPORTANT: Please follow the procedure below carefully to ensure the best seal:

1. Fit a standard RJ45 plug to the network cable.
2. Thread the cable through the outer cap A.
3. Fit the split rubber grommet B over the cable.
4. Thread the cable through the inner cap C.

FIGURE 2



ASSEMBLING THE CONNECTOR

5. Fit the rubber washer D to the OUTREACH connector, with the flat side facing inwards
6. Plug the RJ45 connector on the cable into the OUTREACH
7. Holding the OUTREACH, screw the inner cap C onto the OUTREACH connector and tighten firmly. Tightening the inner cap C before fitting the outer cap A prevents the cable from twisting
8. Push in the grommet B and screw the outer cap A tight. The cable is sealed when the grommet B bulges to the edge of the outer cap A

If the connector has to be removed:

1. Holding the inner cap C, fully unscrew the outer cap A
2. Unscrew the inner cap C. Try to prevent the nut on the connector from unscrewing with it
3. Check the connector nut and re-tighten if necessary
4. Check that the rubber washer D has not become stretched due to overtightening
5. Ensure all parts are dry before reassembly

Connect the ECX to the TCIB and Intersector as show in Figure 3 (on page 2).

Section 3

Technical Data

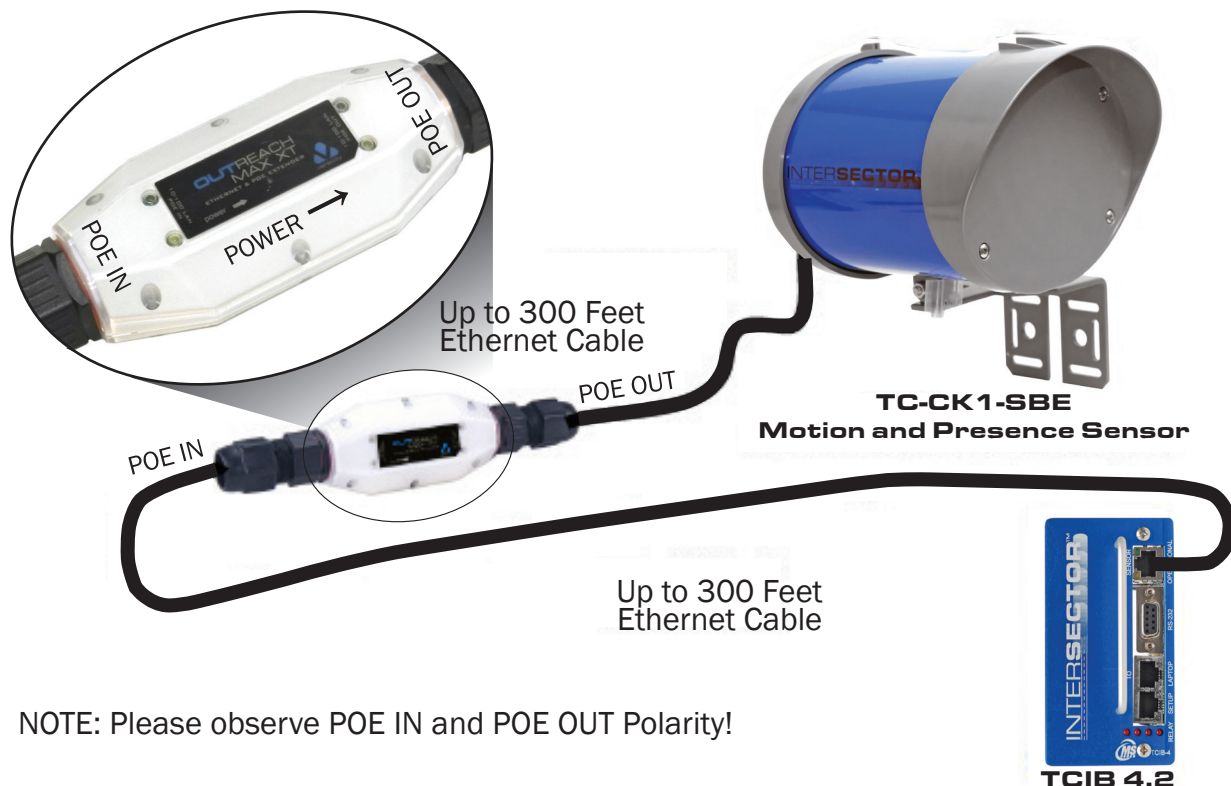
Model.....ECX
Temperature Rating.....-40°F to 140°F
(-40°C to 60°C)
Environmental Rating.....IP66

Section 4

Warranty

MS SEDCO guarantees this product to be free from manufacturing defects for 18 months from date of installation. Unless MS SEDCO is notified of the date of installation, the warranty will be in effect for 18 months from the date of shipment from our factory. If, during the first 18 months, this unit fails to operate and has not been tampered with or abused, the unit can be returned prepaid to the factory and it will be repaired free of charge. After 18 months, the unit will be repaired for a nominal service charge. **This limited warranty is in lieu of all other warranties, expressed or implied, including any implied warrantability of merchantability, and no representative or person is authorized to assume for MS SEDCO any other liability in connection with the sale of our products. All warranties are limited to the duration of this written limited warranty. In no event shall MS SEDCO be liable for any special, incidental, consequential or other damages arising from any claimed breach of warranty as to its products or service.**

FIGURE 3
Ethernet Extender Typical Installation



NOTE: Please observe POE IN and POE OUT Polarity!