

## Section 1

### General Description

The ClearPath radio control transmitters provide reliable activation of any automatic door. Three wall mount styles are available and each comes with a transmitter PCB, antennas and battery completely assembled in a surface mounting box.

**CP/TX = Square Mounting Box (Use with 59 Series 4 1/2" Square Switches)**

**CP/TX-R4 = Round Mounting Box (Use with 59R4 Series 4 1/2" Round Switches)**

**CP/TX-R6 = Round Mounting Box (Use with 59R6 6" Round Switches)**

All ClearPath transmitters have 3 selectable frequencies - High Definition Radio Control™ (HDRC™), 300 MHz and 390 MHz. A simple slide switch allows them to be used interchangeably with past MS SEDCO and other competitor's products utilizing these frequencies.

## Section 2

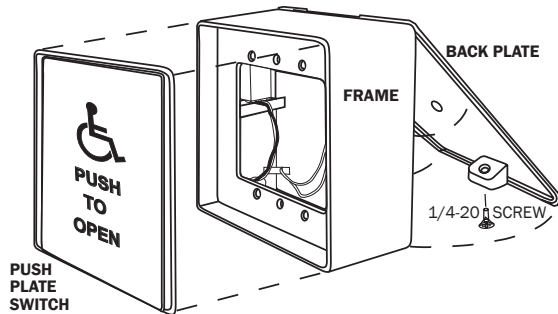
### Basic Installation

1) Remove the 1/4-20 screw located in the bottom of the frame and separate the back plate from the frame (Fig.1). Secure the back plate in its intended location with at least 2 screws.

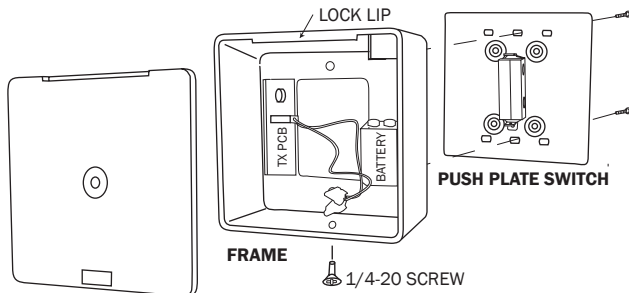


**WARNING:** Mounting screws must be flush with the back plate to ensure proper assembly.

**FIGURE 1**



(Front View-CP/TX Shown)



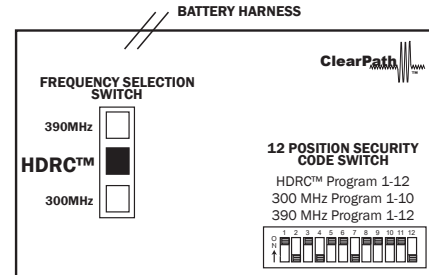
(Rear View-CP/TX Shown)

2) **SELECT FREQUENCY:** Select the desired frequency, via the 3-position slide switch, on the transmitter

circuit board (Fig.2). HDRC™ is factory setting.  
3) **SELECT SECURITY CODE:** Program the desired security code, via the 12 dip switches on the transmitter circuit board (Fig. 2).

**FIGURE 2**

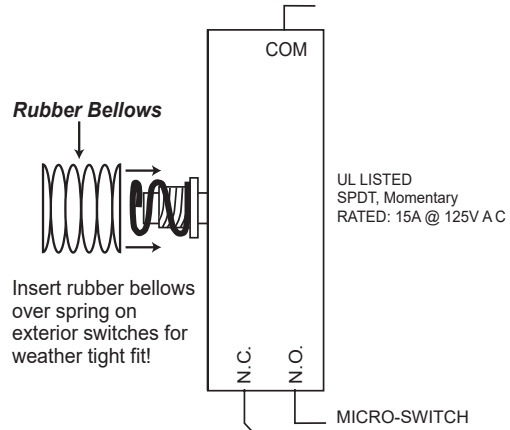
### Transmitter Circuit Board



**HDRC™: MS SEDCO proprietary technology**  
**300 MHz: Compatible with Multicode™ products**  
**390 MHz: Compatible with MS SEDCO and GENIE™ products**

- 4) Attach the push plate switch (purchased separately) to the mounting box frame with the 6-32 screws provided with the push plate switch (Fig.1).
- 5) Plug the 2-lead transmitter wire harness onto the COM (Common) and N.O. (Normally Open) contacts located on the push plate switch (Fig.3).

**FIGURE 3**



- 6) Attach the mounting box frame to the back plate already mounted in its intended location (step 1) by placing the lock lip of the frame over the top of the back plate, pushing it down in a hinge-like motion (Fig.1).
- 7) Secure the mounting box frame to its back plate at the underside with the 1/4-20 screw supplied (Fig.1).



**NOTICE:** This device complies with Part 15 of the FCC rules. Operation of this device is subject to the following two conditions: 1) This device may not cause harmful interference and 2) This device must accept any interference received, including interference that may cause undesired operation. Any changes or modifications not expressly approved by MS SEDCO could void the user's authority to operate this equipment.

Product protected by US patent 7,545,833