



Product Name
ClearPath™ CP/TX-J

Transmitters

(Pictured with 59J-H—Switches available separately or included in ClearPath Kits)

Contact Information

MS SEDCO
8701 Castle Park Drive
Indianapolis, IN 46256
Phone: (317) 842-2545
Fax: (317) 849-3387
Email: custsvc@mssedco.com
www.mssedco.com

Product Description

BASIC USE

The CP/TX-J jamb mount transmitter is part of the ClearPath Radio Control Push Plate Switch Activation System that provides the most reliable wireless activation of automatic doors available.

The CP/TX-J transmitter comes prewired and installed with battery in a surface mount box making installation quick and easy and the entire assembly will fit on a 1 3/4" door frame.

The CP/TX-J can transmit three different frequencies. If interference is encountered on one frequency, simply switch to one of the other frequencies to solve the problem. The CP/TX-J can also be used interchangeably with other manufacturer's products that operate on its frequencies as well. Only ClearPath offers this flexibility.

Technical Data

- Utilizes Proprietary High Definition Radio Control™ (HDRC™) For Unsurpassed Signal Transmission Clarity
- Three User Selectable Frequencies Available In Single Unit: HDRC™, 300 MHz, 390 MHz
- FCC License For All Three Frequencies
- SignalLock™ Guarantees Signal Transmission When Push Plate Switch Is Pressed
- Power Saving Circuitry Extends Battery Life
- Integrated Signal Radiating Antenna Boosts Signal Strength
- Transmitter And Battery Factory Prewired And Installed In Mounting Boxes
- Powered By Standard 9V Battery
- Sequencing Transmitter Available (CP/STX-J)
- Temperature Range: -4°F to 140°F (-20°C to 60°C)



DIMENSIONS

See Reverse

APPLICABLE STANDARDS

American National Standards Institute (ANSI) - Building Hardware Manufacturers Association (BHMA) - ANSI/BHMA A156.10 & A156.19.

APPROVALS

FCC
US patent 7,545,833

Availability & Cost

AVAILABILITY

Available internationally from manufacturer's authorized distributors; contact MS SEDCO for the location of nearest distributor.

COST

Cost information on MS SEDCO products is available from the manufacturer's authorized distributors.

Warranty

A one year warranty is available from the manufacturer covering defects in materials and workmanship. Contact MS SEDCO for details.

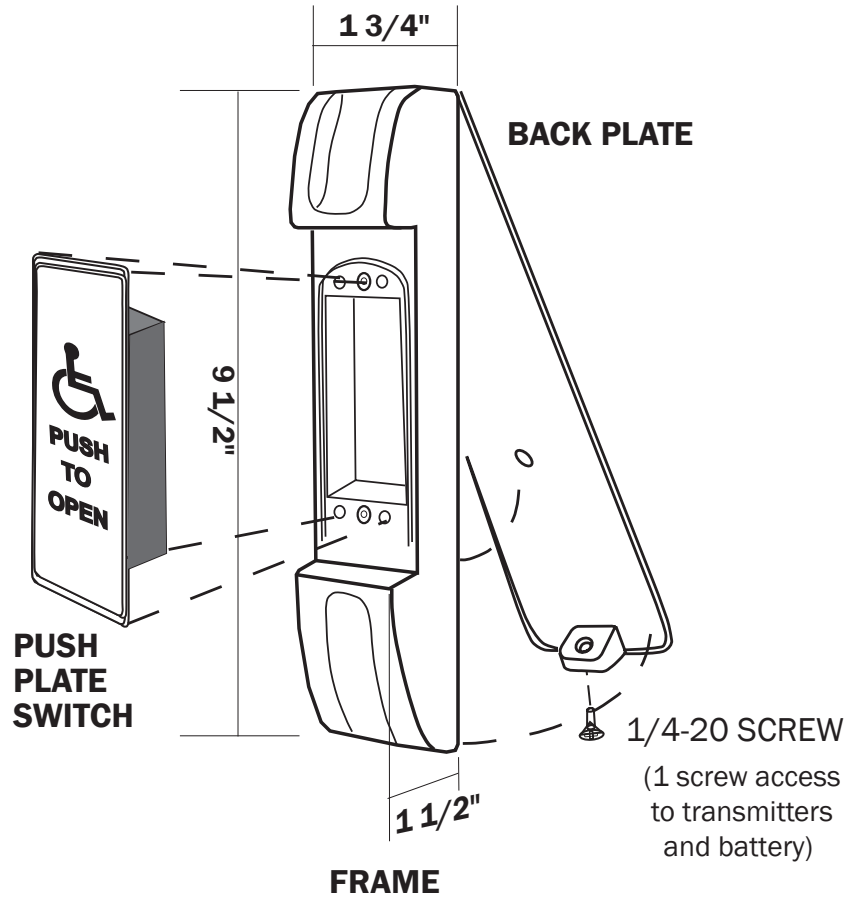
Maintenance

MS SEDCO recommends that all maintenance and adjustments be performed by an AAADM Certified Technician.

Technical Services

MS SEDCO's staff of factory trained sales and service personnel offer design assistance and technical support. Local distributors are also available to assist in selecting appropriate devices for specific uses and to provide onsite installation.

CP/TX-J TRANSMITTER DIAGRAM



CP/TX-J Radio Transmitter
(Pictured with 59J-H—Sold Separately)