

**Section 1**

**General Description**

The CP/TX-HH is a programmable one or two button hand held micro-transmitter that will provide reliable wireless activation of automatic doors. In addition to being multi-button, this single device provides 3 selectable frequencies: High Definition Radio Control™ (HDRC™), 300 MHz and 390 MHz.

High Definition Radio Control™ is the latest breakthrough in radio frequency (RF) signal transmission. Unlike conventional RF systems in use today, HDRC™ uses sophisticated componentry to transmit a fixed frequency signal that does not distort due to outside interference. This fixed signal is then transmitted through a proprietary "electronic filter" in the receiver ensuring door activation occurs. For added versatility, the CP/TX-HH includes the two most widely used conventional frequencies, 300 MHz and 390 MHz. A simple slide switch allows the CP/TX-HH to be used interchangeably with past MS SEDCO products utilizing these frequencies.

**Section 2**

**Basic Installation—  
ONE BUTTON TRANSMITTER**

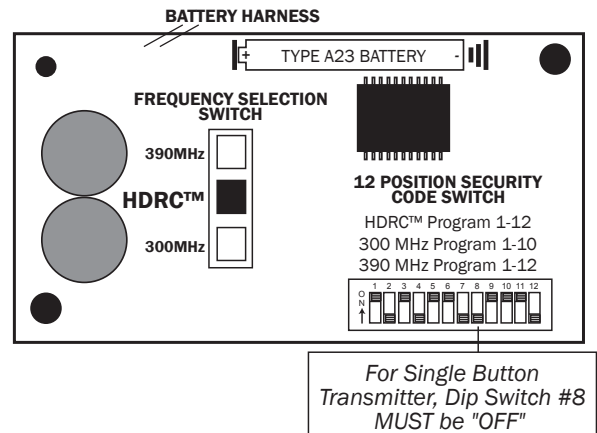
- 1) Remove the cover of the CP/TX-HH1 enclosure by removing the two screws on the backside of the unit.
- 2) SELECT FREQUENCY: Select the desired frequency, via the 3-position slide switch, on the transmitter circuit board (Fig. 1). HDRC™ is factory setting.
- 3) SELECT SECURITY CODE: The CP/TX-HH1 is a single button handheld transmitter. **In order for it to function properly, Security Code Dip Switch #8 MUST be set to "OFF" (Fig. 1).** With dip switch #8 "OFF", program the desired security code via the remaining dip switches and the security code dip switches on the receiver being activated so they match. Record the security code for future use.  
**One Button Transmitter = Dip Switch #8 "OFF"**
- 4) Replace cover and secure with the two screws provided.



**WARNING: Do Not Overtighten Screws!** If the screws are overtightened, the button may be constantly activated. After installing screws, ensure the button operates correctly.  
**LED Constantly ON = Screws Overtightened**  
**LED Lights Only When a Button is Pushed = OK**

- 5) TEST PUSH BUTTON: Pushing the white button will transmit the code that was programmed in step 3 to the receiver with the same security code.

**FIGURE 1  
Transmitter Circuit Board**



**HDRC™:** MS SEDCO proprietary technology  
**300 MHz:** Compatible with Multicode™ products  
**390 MHz:** Compatible with MS SEDCO and GENIE™ products

Product protected by US patent 7,545,833

**NOTICE:** This device complies with Part 15 of the FCC rules. Operation of this device is subject to the following two conditions: 1) This device may not cause harmful interference and 2) This device must accept any interference received, including interference that may cause undesired operation. Any changes or modifications not expressly approved by MS SEDCO could void the user's authority to operate this equipment.